

all about **aluminium**



EWT 60

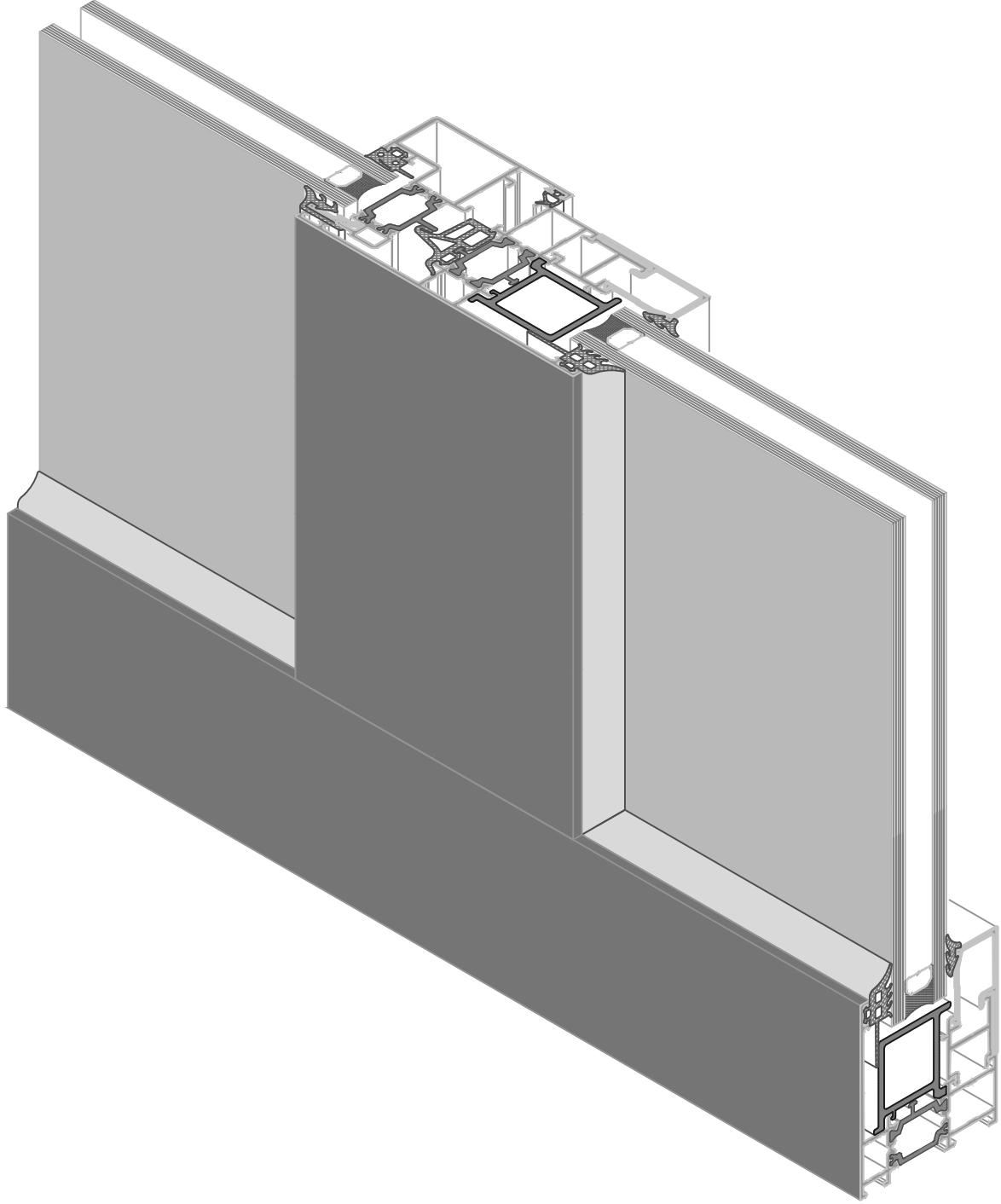
Door - Window Systems

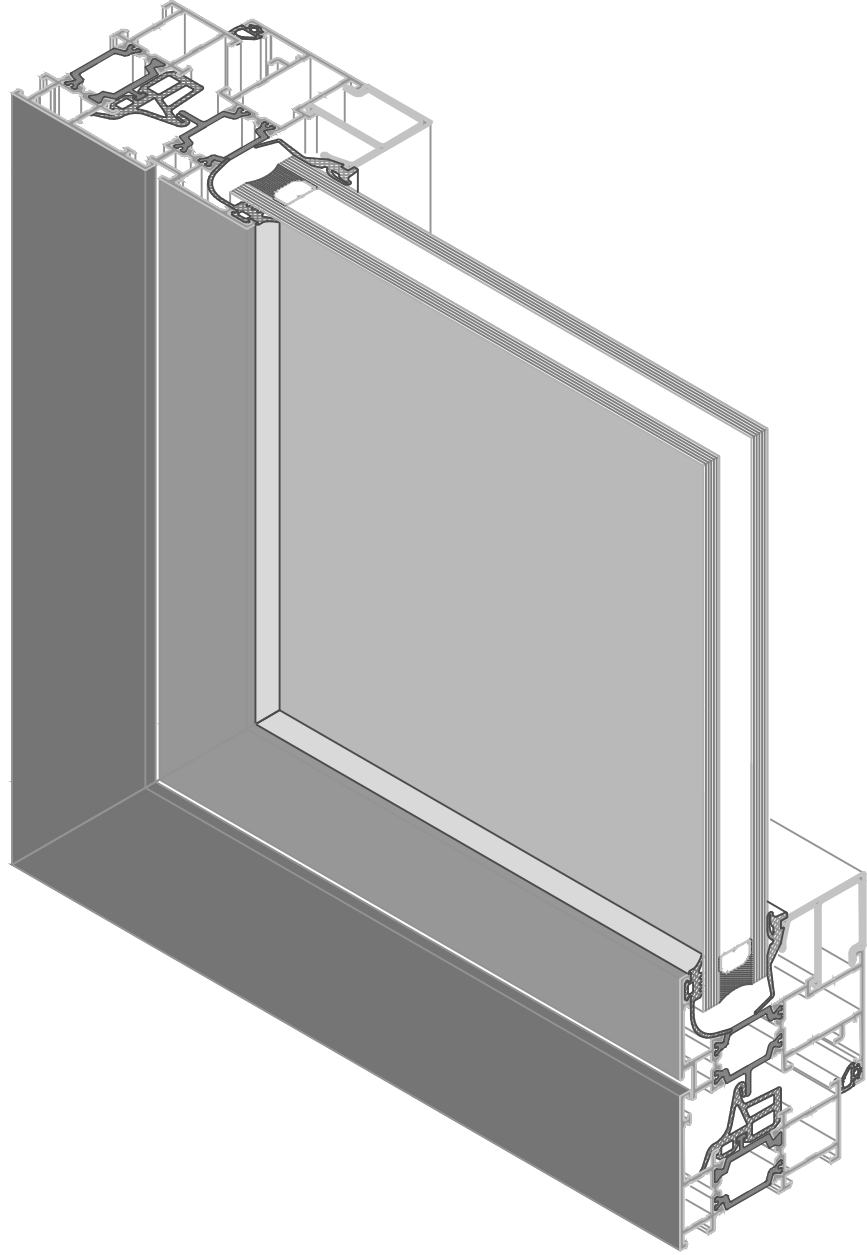
The most preferred solution
for environmental designs

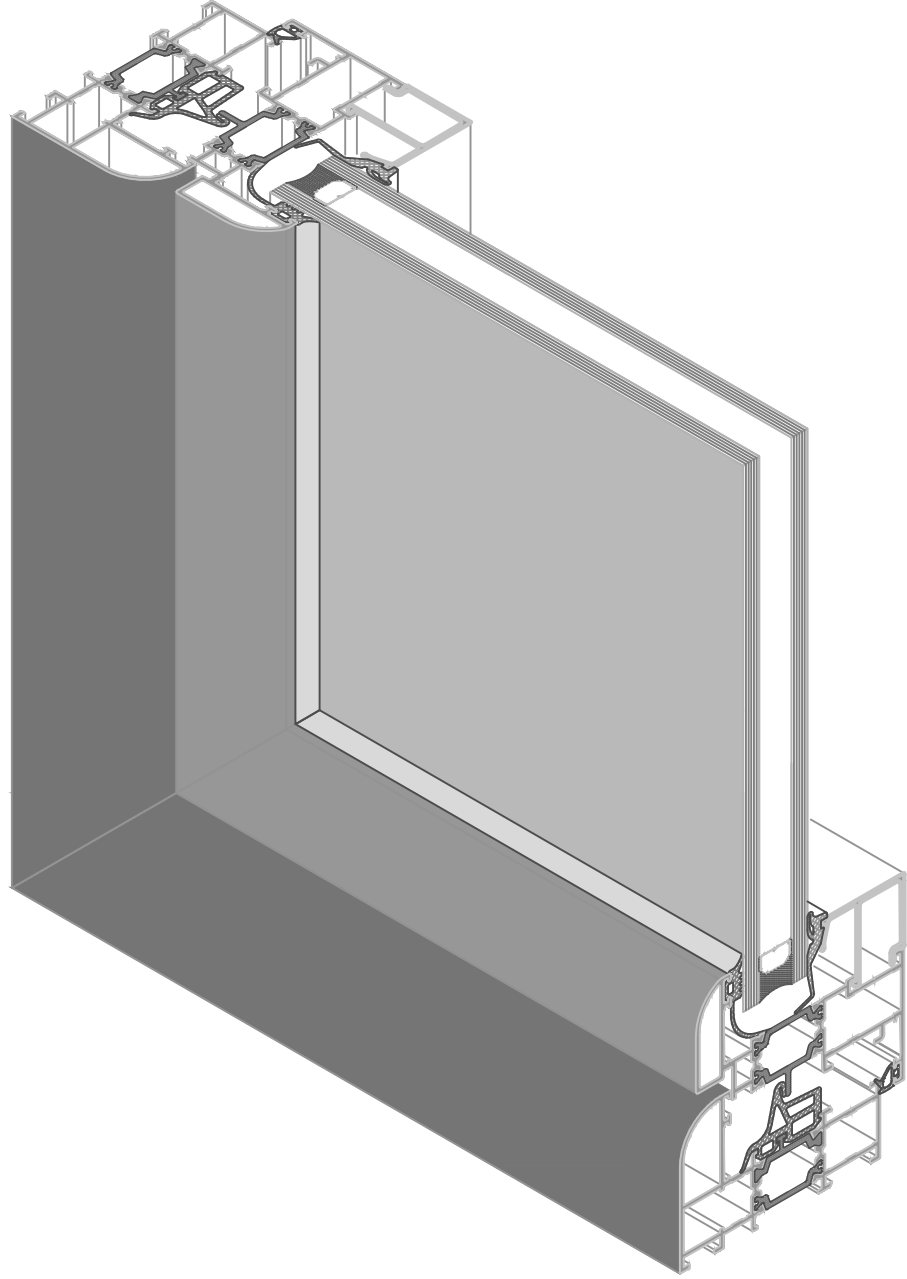
SARAY[®]

SARAY®

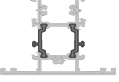

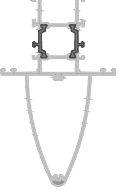
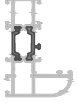
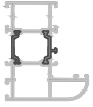

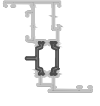
**WT 60 WINDOWS and DOORS
SYSTEM PROFILES, GASKETS
and ACCESSORIES**

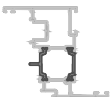
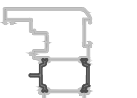


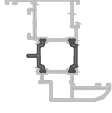
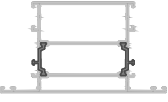
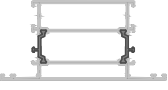

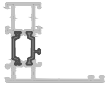
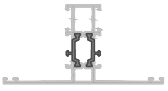

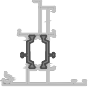


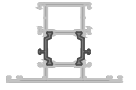
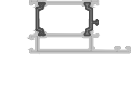



DRAWING PROFİL RESMİ	CODE NUMARA	WEIGHT AGIRLIK (kg/mt)	DESCRIPTION PROFİL TANIMLAMASI	STATIC VALUE Jx (cm ⁴) / Jy (cm ⁴)
	WT60 P 1000	1,198 kg/mt	26mm FRAME PROFILE 26mm Kasa Profili	12,60 / 4,86
	WT60 P 1001	1,405 kg/mt	39mm FRAME PROFILE 39mm Kasa Profili	15,39 / 10,74
	WT60 P 1002	1,615 kg/mt	52mm FRAME PROFILE 52mm Kasa Profili	18,18 / 20,25
	WT60 P 1003	1,345 kg/mt	26mm MULLION PROFILE 26mm Ortakayıt Profili	14,47 / 8,54
	WT60 P 1004	1,554 kg/mt	39mm MULLION PROFILE 39mm Ortakayıt Profili	17,34 / 16,25
	WT60 P 1005	1,764 kg/mt	52mm MULLION PROFILE 52mm Ortakayıt Profili	20,18 / 27,93
	WT60 P 1006	1,561 kg/mt	69mm Z FRAME PROFILE 69mm Z Kasa Profili	19,25 / 18,73
	WT60 P 1007	1,460 kg/mt	26mm MULLION PROFILE (with screw channel) 26mm Ortakayıt Profili vida kanallı	15,87 / 8,60


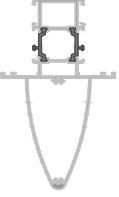
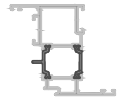
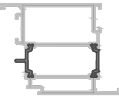
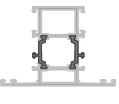
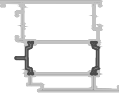
DRAWING PROFİL RESMİ	CODE NUMARA	WEIGHT AGIRLIK (kg/mt)	DESCRIPTION PROFİL TANIMLAMASI	STATIC VALUE Jx (cm ⁴) / Jy (cm ⁴)
	WT60 P 1008	1,663 kg/mt	39mm MULLION PROFILE (with screw channel) 39mm Ortakayıt Profili vida kanallı	18,66 / 16,53
	WT60 P 1009	2,216 kg/mt	39mm MULLION PROFILE (with reinforcement) 39mm Takviyeli Ortakayıt Profili	70,17 / 17,94
	WT60 P 1010	2,462 kg/mt	39mm MULLION PROFILE (with reinforcement) 39mm Takviyeli Ortakayıt Profili	104,54 / 24,82
	WT60 P 1011	1,494 kg/mt	26mm OVAL FRAME PROFILE 26mm Oval Kasa Profili	21,75 / 8,07
	WT60 P 1012	1,703 kg/mt	39mm OVAL FRAME PROFILE 39mm Oval Kasa Profili	26,07 / 16,37
	WT60 P 1013	1,456 kg/mt	34mm OVAL FRAME PROFILE 34mm Oval Kasa Profili	19,10 / 10,44
	WT60 P 1014	1,303 kg/mt	43mm SASH PROFILE 43mm Kanat Profili	18,87 / 6,69

DRAWING PROFİL RESMİ	CODE NUMARA	WEIGHT AGIRLIK (kg/mt)	DESCRIPTION PROFİL TANIMLAMASI	STATIC VALUE Jx (cm ⁴) / Jy (cm ⁴)
	WT60 P 1015	1,521 kg/mt	56mm SASH PROFILE 56mm Kanat Profili	22,85 / 13,58
	WT60 P 1016	1,939 kg/mt	82mm SASH PROFILE 82mm Kanat Profili	30,29 / 39,78
	WT60 P 1017	1,559 kg/mt	56mm SASH PROFILE with PERIMETRIC CHANNEL 56mm Pvc kanallı Kanat Profili	22,88 / 12,45
	WT60 P 1018	1,875 kg/mt	67mm SASH PROFILE with PERIMETRIC CHANNEL 67mm Pvc kanallı Kanat Profili	33,76 / 26,80
	WT60 P 1019	1,948 kg/mt	80mm SASH PROFILE with PERIMETRIC CHANNEL 80mm Pvc kanallı Kanat Profili	29,82 / 35,20
	WT60 P 1020	1,336 kg/mt	43mm OVAL SASH PROFILE 43mm Oval Kanat Profili	18,32 / 8,14
	WT60 P 1021	1,476 kg/mt	43mm OVAL SASH PROFILE 43mm Oval Kanat Profili	25,76 / 8,76
	WT60 P 1022	1,562 kg/mt	56mm OVAL SASH PROFILE 56mm Oval Kanat Profili	22,35 / 15,73

DRAWING PROFİL RESMİ	CODE NUMARA	WEIGHT AGIRLIK (kg/mt)	DESCRIPTION PROFİL TANIMLAMASI	STATIC VALUE Jx (cm ⁴) / Jy (cm ⁴)
	WT60 P 1023	1,712 kg/mt	56mm OVAL SASH PROFILE 56mm Oval Kanat Profili	30,98 / 17,05
	WT60 P 1024	2,244 kg/mt	126mm MULLION PROFILE for INSIDE of SASH 126mm Kanat İçi Ortakayıt Prof	34,74 / 68,09
	WT60 P 1025	2,181 kg/mt	126mm MULLION PROFILE 126mm Ortakayıt Profili	25,83 / 65,66
	WT60 P 1026	2,984 kg/mt	165mm MULLION PROFILE 165mm Ortakayıt Profili	35,96 / 172,78
	WT60 P 1027	1,301 kg/mt	26mm FRAME PROFILE for HIDDEN SASH Gizli kanat için Kasa Profili	14,22 / 13,51
	WT60 P 1028	1,553 kg/mt	26mm MULLION PROFILE for HIDDEN SASH Gizli kanat için Orta Kayıt Profili	16,89 / 30,08
	WT60 P 1029	1,389 kg/mt	60mm HIDDEN SASH PROFILE 60mm Gizli Kanat Profili	14,03 / 9,05
	WT60 P 1030	1,291 kg/mt	TWO WINGS ADAPTEUR PROFILE Çift Kanat Adaptör Profili	13,72 / 6,71


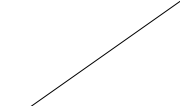

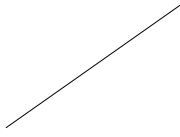

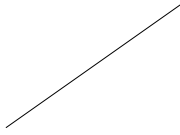

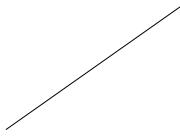

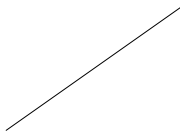

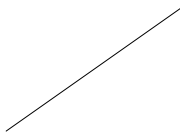

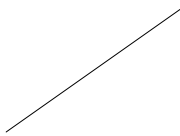

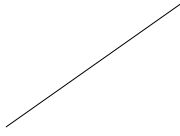
DRAWING PROFİL RESMİ	CODE NUMARA	WEIGHT AGIRLIK (kg/mt)	DESCRIPTION PROFİL TANIMLAMASI	STATIC VALUE Jx (cm ⁴) / Jy (cm ⁴)
	WT60 P 1031	2,431 kg/mt	(2mm) 80mm PERIMETRIC SASH PROFILE (2mm) 80mm Pvc Kanallı Kanat Profili	37,68 / 41,12
	WT60 P 1032	1,859 kg/mt	(2mm) 55mm PERIMETRIC SASH PROFILE (2mm) 55mm Pvc Kanallı Kanat Profili	27,39 / 13,62
	WT60 P 1033	1,850 kg/mt	(2mm) 39mm MULLION PROFILE (2mm) 39mm Ortakayıt Profili	21,54 / 18,37
	WT60 P 1034	1,582 kg/mt	(2mm) 39mm FRAME PROFILE (2mm) 39mm Kasa Profili	18,20 / 11,38
	WT60 P 1035	1,463 kg/mt	(2mm) 26mm MULLION PROFILE (2mm) 26mm Ortakayıt Profili	16,41 / 8,67
	WT60 P 1036	1,858 kg/mt	(2mm) 52mm FRAME PROFILE (2mm) 52mm Kasa Profili	22,03 / 21,84
	WT60 P 1037	2,006 kg/mt	(2mm) 52mm MULLION PROFILE (2mm) 52mm Ortakayıt Profili	24,14 / 29,46
	WT60 P 1097	2,338 kg/mt	EXTRA THICK 52mm FRAME PROFILE (with screw channel) İlave Kalın 52mm Kasa Profili (vida kanallı)	27,91 / 31,23


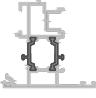



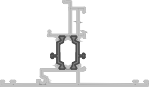

2mm THICK / 2mm Etli

DRAWING PROFİL RESMİ	CODE NUMARA	WEIGHT AGIRLIK (kg/mt)	DESCRIPTION PROFİL TANIMLAMASI	STATIC VALUE Jx (cm ⁴) / Jy (cm ⁴)
	WT60 P 1038	2,292 kg/mt	(2mm) 39mm MULLION PROFILE (with reinforcement) (2mm) 39mm Takviyeli Ortakayıt Profili	73,26 / 18,14
	WT60 P 1039	2,564 kg/mt	(2mm) 39mm MULLION PROFILE (with reinforcement) (2mm) 39mm Takviyeli Ortakayıt Profili	112,42 / 25,22
	WT60 P 1040	1,687 kg/mt	(2mm) 56mm SASH PROFILE (2mm) 56mm Kanat Profili	25,90 / 14,15
	WT60 P 1041	2,239 kg/mt	(2mm) 82mm SASH PROFILE (2mm) 82mm Kanat Profili	36,19 / 42,82
	WT60 P 1042	1,731 kg/mt	(2mm) 39mm MULLION PROFILE (2mm) 39mm Ortakayıt Profili	20,26 / 16,82
	WT60 P 1043	2,057 kg/mt	(2mm) 82mm SASH PROFILE (2mm) 82mm Kanat Profili	32,55 / 40,49

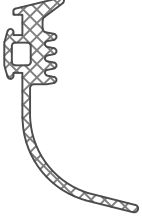
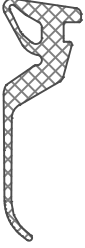
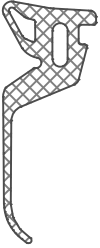
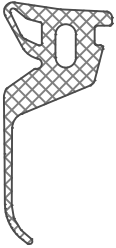
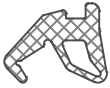
2mm THICK / 2mm Etli



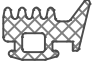
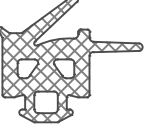
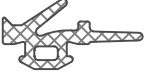
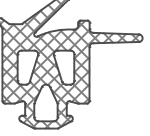
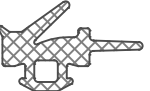
DRAWING PROFİL RESMİ	CODE NUMARA	WEIGHT AGIRLIK (kg/mt)	DESCRIPTION PROFİL TANIMLAMASI	STATIC VALUE Jx (cm ⁴) / Jy (cm ⁴)
	WT60 P 1044	0,255 kg/mt	7,2mm GLAZING BEAD PROFILE 7,2mm Cam Çıtası Profili	
	WT60 P 1047	0,287 kg/mt	16,2mm GLAZING BEAD PROFILE 16,2mm Cam Çıtası Profili	
	WT60 P 1049	0,314 kg/mt	22,2mm GLAZING BEAD PROFILE 22,2mm Cam Çıtası Profili	
	WT60 P 1050	0,351 kg/mt	24,9mm GLAZING BEAD PROFILE 24,9mm Cam Çıtası Profili	
	WT60 P 1052	0,373 kg/mt	31,2mm GLAZING BEAD PROFILE 31,2mm Cam Çıtası Profili	
	WT60 P 1053	0,385 kg/mt	34,2mm GLAZING BEAD PROFILE 34,2mm Cam Çıtası Profili	
	WT60 P 1054	0,398 kg/mt	38,2mm GLAZING BEAD PROFILE 38,2mm Cam Çıtası Profili	
	WT60 P 1057	0,112 kg/mt	GLAZING BEAD PROFILE for HIDDEN SASH Gizli Kanat Cam Çıtası Profili	

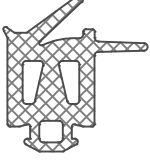
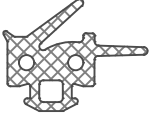
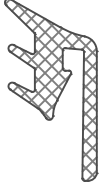
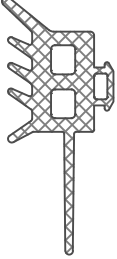
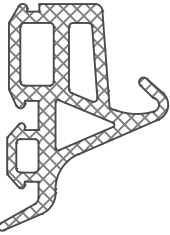
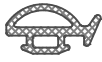
DRAWING PROFİL RESMİ	CODE NUMARA	WEIGHT AGIRLIK (kg/mt)	DESCRIPTION PROFİL TANIMLAMASI	STATIC VALUE Jx (cm ⁴) / Jy (cm ⁴)
	WT60 P 1058	0,404 kg/mt	BASEMENT PROFILE for GLAZING BEAD Cam Çıtası için Altlık Profili	
	WT60 P 1060	0,491 kg/mt	30,3mm GLAZING BEAD PROFILE 30,3mm Cam Çıtası Profili	
	WT60 P 1061	0,470 kg/mt	24,3mm GLAZING BEAD PROFILE 24,3mm Cam Çıtası Profili	
	WT60 P 1062	0,418 kg/mt	18,3mm GLAZING BEAD PROFILE 18,3mm Cam Çıtası Profili	
	WT60 P 1063	0,404 kg/mt	12,3mm GLAZING BEAD PROFILE 12,3mm Cam Çıtası Profili	
	WT60 P 1064	0,363 kg/mt	6,3mm GLAZING BEAD PROFILE 6,3mm Cam Çıtası Profili	
	WT60 P 1065	0,123 kg/mt	ROD PROFILE Tij Profili	
	WT60 P 1068	0,110 kg/mt	ADAPTEUR PROFILE for HIDDEN SASH Gizli kanat için Adaptör Profili	

DRAWING PROFİL RESMİ	CODE NUMARA	WEIGHT AGIRLIK (kg/mt)	DESCRIPTION PROFİL TANIMLAMASI	STATIC VALUE Jx (cm ⁴) / Jy (cm ⁴)
	WT60 P 1071	0,210 kg/mt	GLAZING BEAD PROFILE for EXTERIOR FRAME Kasa Dışı için Cam Çıta Profili	
	WT60 P 1092	1,556 kg/mt	ADAPTEUR PROFILE with CREMONE CHANEL İspanyolet Kanallı Adaptör Profili	18,97 / 10,31
	WT60 P 1093	2,074 kg/mt	90° CORNER CONNECTION PROFILE 90° Köşe dönüş Profili	24,37 / 32,48
	WT60 P 1094	1,436 kg/mt	135° CORNER CONNECTION PROFILE 135° Köşe dönüş Profili	12,88 / 8,61
	WT60 P 1096	0,916 kg/mt	ELLIPSE COVER EXTRA REINFORCEMENT PROFILE İlave takviye elips kapak profil	6,12 / 9,74
	WT60 P 1098	1,732 kg/mt	52mm FRAME PROFILE for HIDDEN SASH Gizli kanat için Kasa Profili	20,01 / 34,38
	WT60 P 1099	1,566 kg/mt	TWO WINGS ADAPTEUR PROFILE for HIDDEN SASH Gizli kanat için Çift Kanat Adaptör Profili	16,44 / 25,66
	WT60 P 1100	0,279 kg/mt	13,2mm GLAZING BEAD PROFILE 13,2mm Cam Çıtası Profili	


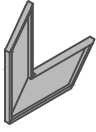


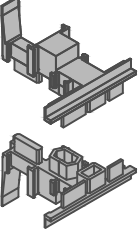
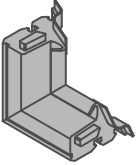
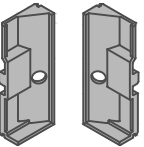
	CODE NUMARA	WEIGHT AĞIRLIK (kg/mt)	DESCRIPTION PROFİL TANIMLAMASI	STATIC VALUE Jx (cm ⁴) / Jy (cm ⁴)
	WT60 P 1101	1,481 kg/mt	45mm FRAME PROFILE 45mm Kasa Profili	16,38 / 14,43
	WT60 P 1102	1,947 kg/mt	26mm MULLION PROFILE (with reinforcement) 26mm Takviyeli Ortakayıt Profili	46,85 / 12,36
	WT60 P 1103	1,521 kg/mt	56mm SASH PROFILE with PERIMETRIC CHANNEL 56mm Pvc Kanallı Kanat Profili	25,25 / 17,34
	WT60 P 1105	1,366 kg/mt	26mm ASYMMETRIC MULLION PROFILE for HIDDEN SASH Gizli kanat için Asimetrik Orta Kayıt Profili	15,78 / 18,42

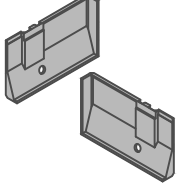
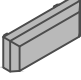
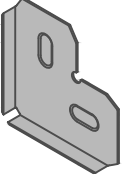
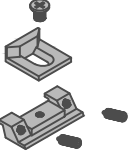
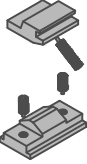
DRAWING PROFİL RESMİ	CODE NUMARA	MATERIAL MALZEME	DESCRIPTION MALZEME TANIMI	PACKAGING AMBALAJ
	WT 60 G 3000	Epdm	EXTERIOR GLAZING GASKET WITH FLAP (h:4,6mm) Perdeli dış cam contası (boşluk : 4,6mm)	150mt
	WT 60 G 3001	Epdm	INTERIOR GLAZING GASKET WITH FLAP (h:6-7mm) Perdeli iç cam contası (boşluk : 6-7mm)	125mt
	WT 60 G 3002	Epdm	INTERIOR GLAZING GASKET WITH FLAP (h:8-9mm) Perdeli iç cam contası (boşluk : 8-9mm)	100mt
	WT 60 G 3003	Epdm	INTERIOR GLAZING GASKET WITH FLAP (h:10mm) Perdeli iç cam contası (boşluk : 10mm)	90mt
	WT 60 G 3004	Epdm	INTERIOR GLAZING GASKET (h:6-7mm) İç cam contası (boşluk : 6-7mm)	185mt

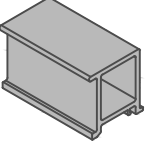
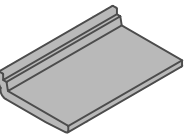
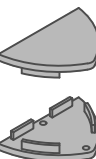
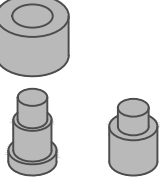
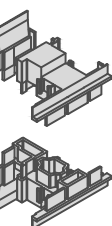
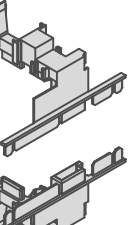
DRAWING PROFİL RESMİ	CODE NUMARA	MATERIAL MALZEME	DESCRIPTION MALZEME TANIMI	PACKAGING AMBALAJ
	WT 60 G 3005	Epdm	INTERIOR GLAZING GASKET (h:8-9mm) İç cam contası (boşluk : 8-9mm)	165mt
	WT 60 G 3006	Epdm	INTERIOR GLAZING GASKET (h:10mm) İç cam contası (boşluk : 10mm)	113mt
	WT 60 G 3008	Epdm	EXTERIOR GLAZING GASKET (h:4,6mm) Dış cam contası (boşluk : 4,6mm)	250mt
	WT 60 G 3009	Epdm	INTERIOR GLAZING GASKET for HIDDEN SASH (h:9mm) Gizli kanat iç cam contası (boşluk : 9mm)	100mt
	WT 60 G 3010	Epdm	INTERIOR GLAZING GASKET for HIDDEN SASH (h:3mm) Gizli kanat iç cam contası (boşluk : 3mm)	200mt
	WT 60 G 3011	Epdm	INTERIOR GLAZING GASKET for HIDDEN SASH (h:11mm) Gizli kanat iç cam contası (boşluk : 11mm)	93mt
	WT 60 G 3012	Epdm	INTERIOR GLAZING GASKET for HIDDEN SASH (h:5mm) Gizli kanat iç cam contası (boşluk : 5mm)	100mt

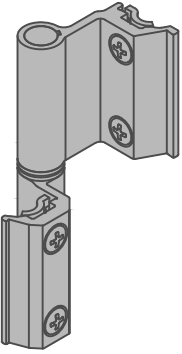
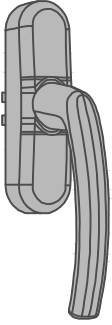
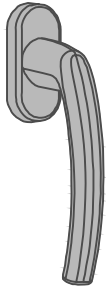
DRAWING PROFİL RESMİ	CODE NUMARA	MATERIAL MALZEME	DESCRIPTION MALZEME TANIMI	PACKAGING AMBALAJ
	WT 60 G 3013	Epdm	INTERIOR GLAZING GASKET for HIDDEN SASH (h:13mm) Gizli kanat iç cam contası (boşluk : 13mm)	77mt
	WT 60 G 3014	Epdm	INTERIOR GLAZING GASKET for HIDDEN SASH (h:7mm) Gizli kanat iç cam contası (boşluk : 7mm)	120mt
	WT 60 G 3015	Epdm	EXTERIOR GLAZING GASKET for HIDDEN SASH (h:5,1mm) Gizli kanat dış cam contası (boşluk : 5,1mm)	110mt
	WT 60 G 3016	Epdm	INTERIOR GLAZING GASKET for FIXED FRAME (h:9,6mm) Sabit kısım iç cam contası (boşluk : 9,6mm)	85mt
	WT 60 G 3017	Epdm	CENTRAL GASKET Merkezi tozluk contası	35mt
	WT 60 G 3018	Epdm	EXTERIOR OVERLAP GASKET Dış bini contası	330mt

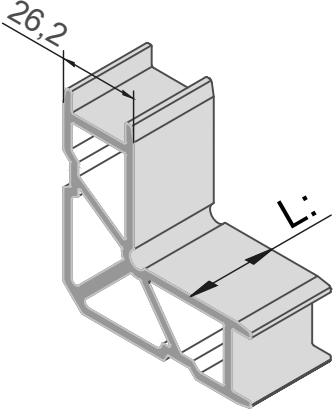
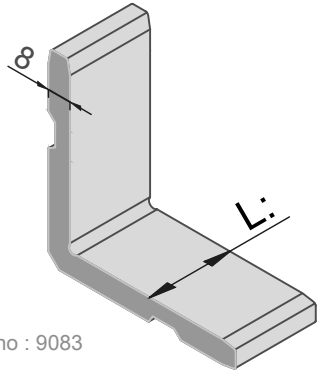
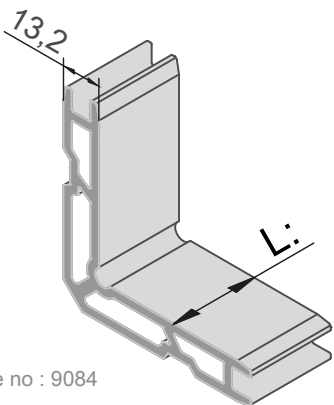
DRAWING PROFİL RESMİ	CODE NUMARA	MATERIAL MALZEME	DESCRIPTION MALZEME TANIMI	PACKAGING AMBALAJ
	WT 60 G 3019	Epdm	EXTERIOR OVERLAP GASKET Dış bini contası	340mt
	WT 60 G 3020	Epdm	INTERIOR GLAZING GASKET (h:4mm) İç cam contası (boşluk : 4mm)	185mt
	WT 60 G 3021	Epdm	INTERIOR GLAZING GASKET (h:4mm) İç cam contası (boşluk : 4mm)	185mt

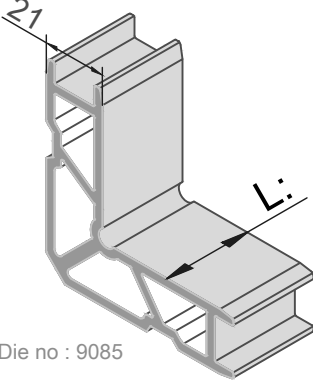
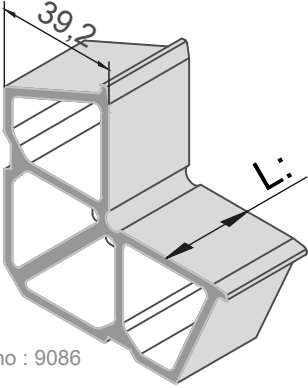
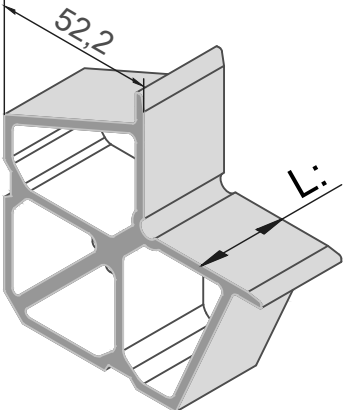
DRAWING PROFİL RESMİ	CODE NUMARA	MATERIAL MALZEME	DESCRIPTION MALZEME TANIMI	PACKAGING AMBALAJ
	WT 60 A 2000	Alu. / grey gri / alüminyum	SASH and FRAME CORNER JOINT Kanat ve Kasa köşe birleşim onbaşı	500 pieces 500 adet
	WT 60 A 2001	Pvc - Black Siyah - plastik	CORNER CLEAT for WT60 P 1013,1020,1022 Köşe onbaşı (WT60 P 1013,1020,1022)	100 pieces 100 adet
	WT 60 A 2002	Alu. / grey gri / alüminyum	SASH CORNER JOINT Kanat köşe birleşim onbaşı	500 pieces 500 adet
	WT 60 A 2003	Alu. / grey gri / alüminyum	SASH CORNER JOINT Kanat köşe birleşim onbaşı	500 pieces 500 adet
	WT 60 A 2045	Pvc - Black Siyah - plastik	STANDART SASH TWO WINDOW ADAPTEUR PLUG (use with WT60 p 1030) Çift kanatlı pencere adaptör kapak (WT60 p 1030 ile kullanılır)	50 pieces 50 adet
	WT 60 A 2048	Epdm - Black Siyah - kauçuk	CENTRAL GASKET VULCANIZED CORNER Merkezi tozluk contası köşe dönüş parçası	50 pieces 50 adet
	WT 60 A 2049	Pvc - Black Siyah - plastik	FIXED FRAME T-JOINT COUPLE Sabit doğrama kasası T bağlantı parçası	10 pieces 10 adet

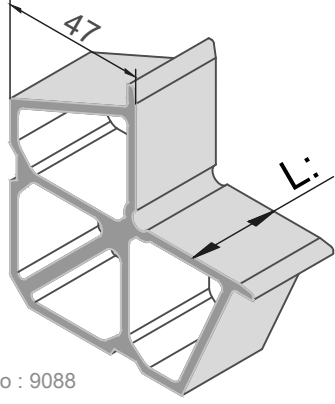
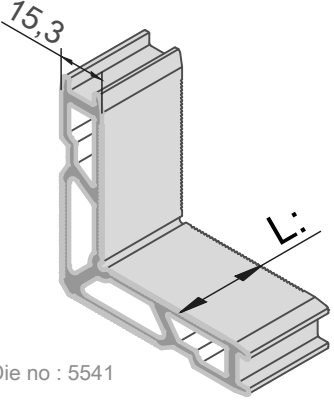
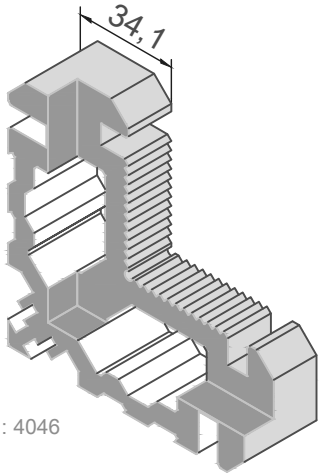
DRAWING PROFİL RESMİ	CODE NUMARA	MATERIAL MALZEME	DESCRIPTION MALZEME TANIMI	PACKAGING AMBALAJ
	WT 60 A 2058	Pvc - Black Siyah - plastik	HIDDEN SASH FRAME T-JOINT COUPLE Gizli kanat kasası T bağlantı parçası	10 pieces 10 adet
	WT 60 A 2059	Pvc - Black Siyah - plastik	WATER DRAINAGE CAP Su tahliye kapığı	500 pieces 500 adet
	WT 60 A 2060	Inox / grey gri / paslanmaz	HIDDEN SASH FRAME CORNER JOINT Gizli kanat kasası köşe birleşim onbaşı	250 pieces 250 adet
	WT 60 A 2061	Alu. / grey gri / alüminyum	ADJUSTABLE LOCKING DEVICE Ayarlanabilir kilit karşılığı	50 pieces 50 adet
	WT 60 A 2062	Pvc - Black Siyah - plastik	SLOPED SYNTHETIC BLOCK INSIDE OPENING WINDOW İçer açılır kanat için kaldırma takozu	20 pieces 20 adet

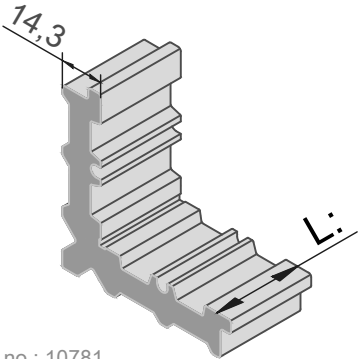
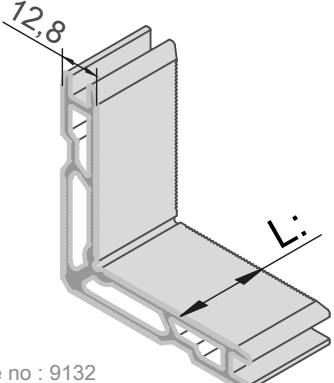
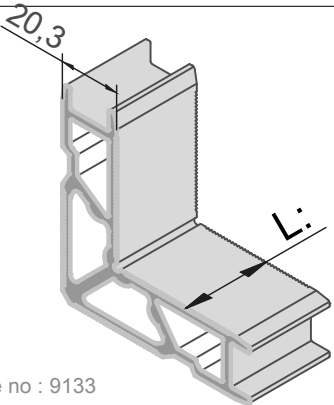
DRAWING PROFİL RESMİ	CODE NUMARA	MATERIAL MALZEME	DESCRIPTION MALZEME TANIMI	PACKAGING AMBALAJ
	WT 60 A 2065	Pvc - Black Siyah - plastik	GLASS CARRIER BLOCK for HIDDEN SASH Açılır gizli kanat için cam taşıyıcı takoz	50 pieces 50 adet
 Die no : 11683	WT 60 A 2073	Alu. / grey gri / alüminyum	GLASS SUPPORT for HIDDEN SASH Gizli Kanat için Cam Taşıyıcı	50 pieces 50 adet
	WT 60 A 2074	Pvc - Black Siyah - plastik	CAP for FINISHING HEADER Profil bitimi için kapak	100 pieces 100 adet
	WT 60 A 2075	Steel / yellow sarı / çelik	LOCKING DEVICE PIECES İspanyolet tij pimleri	100 pieces 100 adet
	WT 60 A 2079	Pvc - Black Siyah - plastik	STANDART SASH TWO WINDOW ADAPTEUR PLUG (use with WT60 p 1092) Çift kanatlı pencere adaptör kapagı (WT60 p 1092 ile kullanılır)	50 pieces 50 adet
	WT 60 A 2081	Pvc - Black Siyah - plastik	HIDDEN SASH TWO WINDOWS ADAPTEUR PLUG (use with WT60 p 1099) Çift kanatlı pencere adaptör kapagı (WT60 p 1099 ile kullanılır)	50 pieces 50 adet

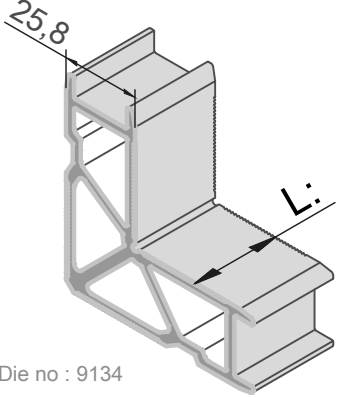
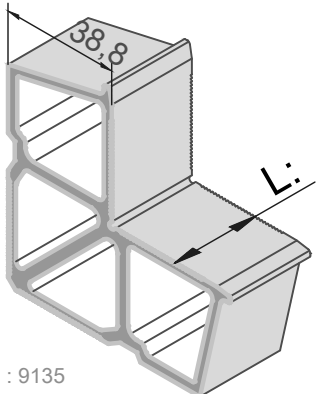
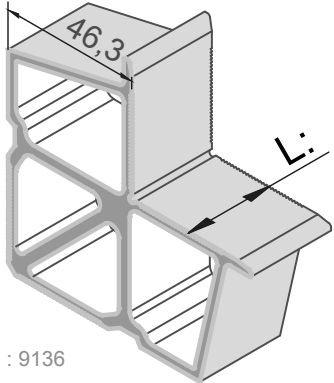
DRAWING PROFİL RESMİ	CODE NUMARA	MATERIAL MALZEME	DESCRIPTION MALZEME TANIMI	PACKAGING AMBALAJ
	WT 60 A 2066	Alu. / grey gri / alüminyum	WINDOW HINGE white painted,opaque anodising PENCERE MENTEŞESİ beyaz boyalı+ mat eloxal	20 pieces 20 adet
	WT 60 A 2067		WINDOW HINGE bright anodising PENCERE MENTEŞESİ parlak eloxal	
	WT 60 A 2068		WINDOW HINGE black anodising PENCERE MENTEŞESİ siyah eloxal	
	WT 60 A 2069		WINDOW HINGE special colors PENCERE MENTEŞESİ özel renkler	
	WT 60 A 2070	Alu. / grey gri / alüminyum	AXIAL HANDLE (white painted) EKSENEL KOL (beyaz boyalı)	5 pieces 5 adet
	WT 60 A 2071		AXIAL HANDLE (anodising) EKSENEL KOL (eloxal)	
	WT 60 A 2072		AXIAL HANDLE (special colors) EKSENEL KOL (özel renkler)	
	WT 60 A 2076	Alu. / grey gri / alüminyum	CREMONE HANDLE Ral 9005 opaque İSPANYOLET KOL Ral 9005 mat	5 pieces 5 adet
	WT 60 A 2077		CREMONE HANDLE Special color İSPANYOLET KOL Özel renk	
	WT 60 A 2078		CREMONE HANDLE Bright anodising İSPANYOLET KOL Parlak Eloxal	

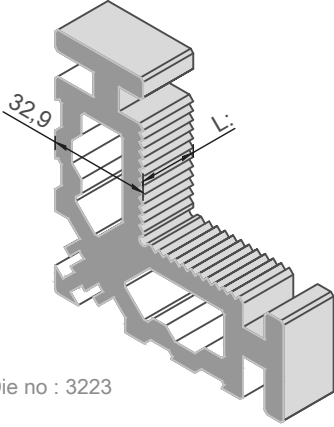
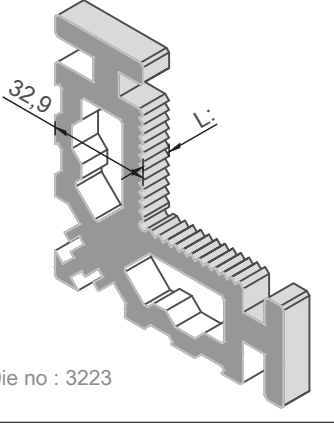
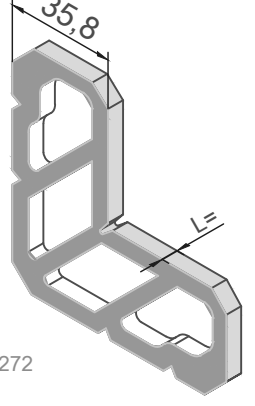
DRAWING PROFİL RESMİ	CODE NUMARA	DESCRIPTION MALZEME TANIMI	PACKAGING AMBALAJ
 <p>Die no : 9082</p>	WT 60 A 2006	L:18,8mm (use with WT60 P 1001,1004,1006,1012)	50 pieces 50 adet
	WT 60 A 2007	L:9,8mm (use with WT60 P 1001,1004,1006,1012)	
	WT 60 A 2020	L:27,8mm (use with WT60 P 1015,1022,1023)	
	WT 60 A 2026	L:35,6mm (use with WT60 P 1018)	
	WT 60 A 2027	L:5,2mm (use with WT60 P 1018)	
 <p>Die no : 9083</p>	WT 60 A 2019	L:5,2mm (use with WT60 P 1014,1020,1021,1029)	50 pieces 50 adet
 <p>Die no : 9084</p>	WT 60 A 2004	L:18,8mm (use with WT60 P 1000,1003,1011, 1027,1028,1105)	50 pieces 50 adet
	WT 60 A 2005	L:9,8mm (use with WT60 P 1000,1003,1011, 1027,1028,1105)	
	WT 60 A 2018	L:27,8mm (use with WT60 P 1014,1020,1021)	

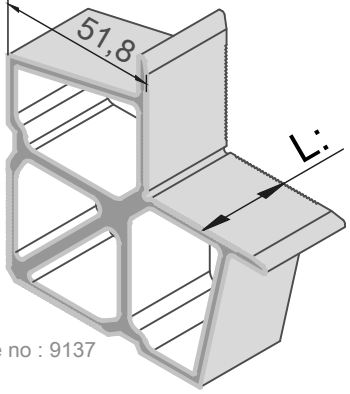
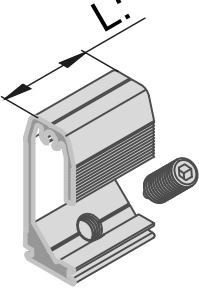
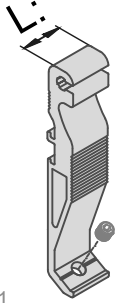
DRAWING PROFİL RESMİ	CODE NUMARA	DESCRIPTION MALZEME TANIMI	PACKAGING AMBALAJ
 <p>Die no : 9085</p>	WT 60 A 2016	L:18,8mm (use with WT60 P 1013)	50 pieces 50 adet
	WT 60 A 2017	L:17,8mm (use with WT60 P 1013)	
	WT 60 A 2021	L:5,2mm (use with WT60 P 1015,1022,1023)	
 <p>Die no : 9086</p>	WT 60 A 2008	L:18,8mm (use with WT60 P 1002,1005,1098)	50 pieces 50 adet
	WT 60 A 2009	L:9,8mm (use with WT60 P 1002,1005,1098)	
	WT 60 A 2028	L:27,8mm (use with WT60 P 1019)	
	WT 60 A 2029	L:5,2mm (use with WT60 P 1019)	
 <p>Die no : 9087</p>	WT 60 A 2022	L:27,8mm (use with WT60 P 1016,1043)	50 pieces 50 adet

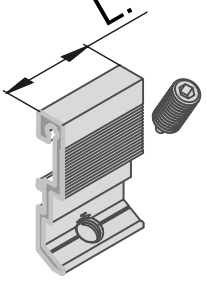
DRAWING PROFİL RESMİ	CODE NUMARA	DESCRIPTION MALZEME TANIMI	PACKAGING AMBALAJ
 <p>Die no : 9088</p>	WT 60 A 2023	L:5,2mm (use with WT60 P 1016)	50 pieces 50 adet
 <p>Die no : 5541</p>	WT 60 A 2024	L:27,8mm (use with WT60 P 1017,WT60 P 1103)	50 pieces 50 adet
	WT 60 A 2025	L:5,2mm (use with WT60 P 1017)	
 <p>Die no : 4046</p>	WT 60 A 2034	L:27,2mm Special type özel tip (use with WT60 P 1029)	50 pieces 50 adet

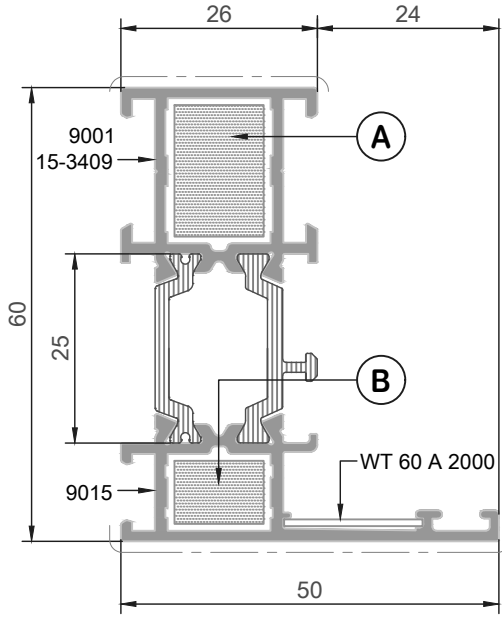
DRAWING PROFİL RESMİ	CODE NUMARA	DESCRIPTION MALZEME TANIMI	PACKAGING AMBALAJ
 <p>Die no : 10781</p>	WT 60 A 2038	L:26,6mm (use with WT60 P 1032)	50 pieces 50 adet
	WT 60 A 2039	L:3,4mm (use with WT60 P 1032)	
 <p>Die no : 9132</p>	WT 60 A 2046	L:18,2mm (use with WT60 P 1035)	50 pieces 50 adet
	WT 60 A 2047	L:9,2mm (use with WT60 P 1035)	
 <p>Die no : 9133</p>	WT 60 A 2055	L:5,2mm (use with WT60 P 1040)	50 pieces 50 adet

DRAWING PROFIL RESMİ	CODE NUMARA	DESCRIPTION MALZEME TANIMI	PACKAGING AMBALAJ
 <p>Die no : 9134</p>	WT 60 A 2040	L:18,2mm (use with WT60 P 1033,1034,1042)	50 pieces 50 adet
	WT 60 A 2041	L:9,2mm (use with WT60 P 1033,1034,1042)	
	WT 60 A 2054	L:27,2mm (use with WT60 P 1040)	
 <p>Die no : 9135</p>	WT 60 A 2036	L:26,6mm (use with WT60 P 1031)	50 pieces 50 adet
	WT 60 A 2037	L:3,4mm (use with WT60 P 1031)	
	WT 60 A 2050	L:18,2mm (use with WT60 P 1036,1037)	
	WT 60 A 2051	L:9,2mm (use with WT60 P 1036,1037)	
 <p>Die no : 9136</p>	WT 60 A 2057	L:5,2mm (use with WT60 P 1041,1043)	50 pieces 50 adet


DRAWING PROFİL RESMİ	CODE NUMARA	DESCRIPTION MALZEME TANIMI	PACKAGING AMBALAJ
 <p>Die no : 3223</p>	WT 60 A 2082	L:18,8mm (use with WT60 P 1101 ile kullanılır)	50 pieces 50 adet
 <p>Die no : 3223</p>	WT 60 A 2083	L:9,8mm (use with WT60 P 1101 ile kullanılır)	50 pieces 50 adet
 <p>Die no : 3272</p>	WT 60 A 2084	L:5,6mm (use with WT60 P 1103 ile kullanılır)	50 pieces 50 adet

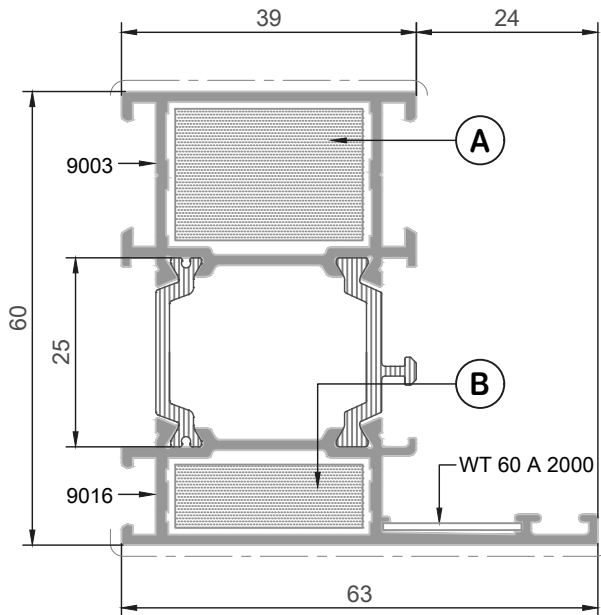
DRAWING PROFİL RESMİ	CODE NUMARA	DESCRIPTION MALZEME TANIMI	PACKAGING AMBALAJ
 <p>Die no : 9137</p>	WT 60 A 2056	L:27,8mm (use with WT60 P 1041)	50 pieces 50 adet
 <p>Die no : 9089</p>	WT 60 A 2010	L:13,2mm (use with WT60 P 1003,1028,1035, WT60 P 1105)	50 pieces 50 adet
	WT 60 A 2012	L:26,2mm (use with WT60 P 1004,1009,1010,1038)	
	WT 60 A 2014	L:39,2mm (use with WT60 P 1005)	
	WT 60 A 2030	L:65,2mm (use with WT60 P 1024,1025)	
	WT 60 A 2032	L:104,2mm (use with WT60 P 1026)	
	WT 60 A 2042	L:25,8mm (use with WT60 P 1033,1039,1042)	
	WT 60 A 2052	L:38,8mm (use with WT60 P 1037)	
 <p>Die no : 11811</p>	WT 60 A 2080	L:13,2mm (use with WT60 P 1028, WT60 P 1105)	50 pieces 50 adet

DRAWING PROFİL RESMİ	CODE NUMARA	DESCRIPTION MALZEME TANIMI	PACKAGING AMBALAJ
 <p>Die no : 9090</p>	WT 60 A 2011	L:13,2mm (use with WT60 P 1003,1035,1102)	50 pieces 50 adet
	WT 60 A 2013	L:26,2mm (use with WT60 P 1004,1009,1010,1039)	
	WT 60 A 2015	L:39,2mm (use with WT60 P 1005)	
	WT 60 A 2031	L:65,2mm (use with WT60 P 1024,1025)	
	WT 60 A 2033	L:104,2mm (use with WT60 P 1026)	
	WT 60 A 2043	L:25,8mm (use with WT60 P 1033,1038,1042)	
	WT 60 A 2053	L:38,8mm (use with WT60 P 1037)	




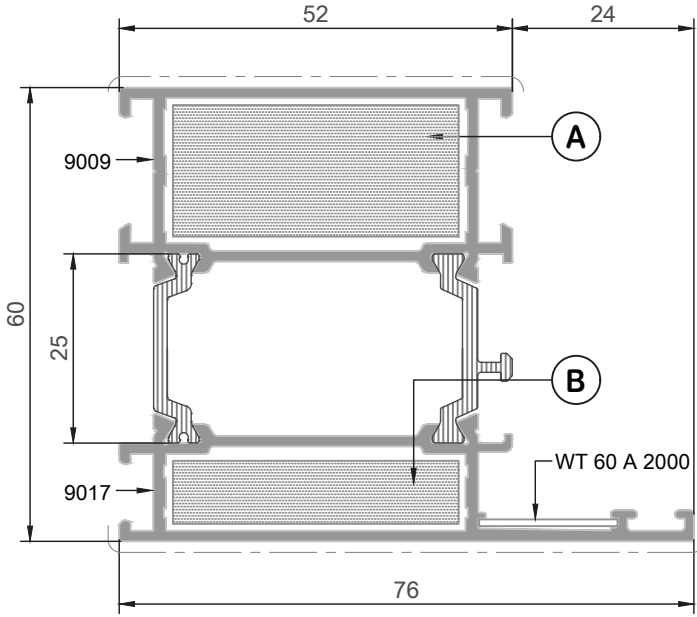
STATICAL VALUE		PROFILE CODE	Weight (kg/mt)
Jxx (cm ⁴)	Jyy (cm ⁴)	WT 60 P 1000	1,198 kg/mt
12,60	4,86		

CORNER CLEATS	A	B
	WT 60 A 2004 Lenght:18,8mm	WT 60 A 2005 Lenght:9,8mm




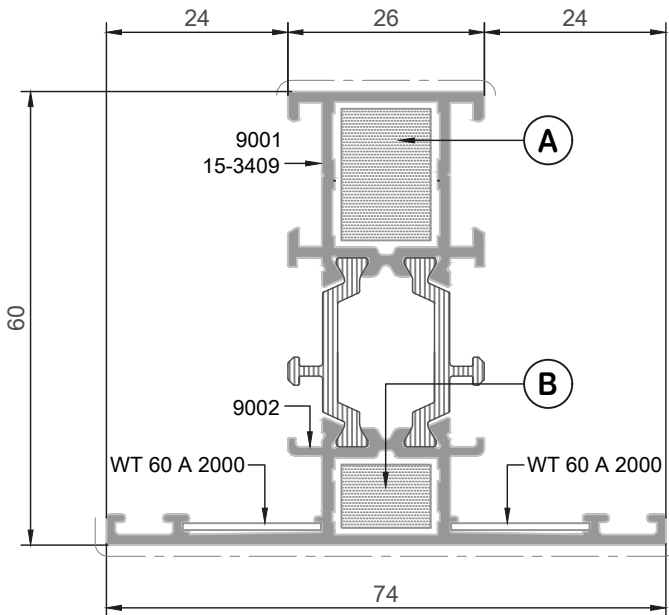
STATICAL VALUE		PROFILE CODE	Weight (kg/mt)
Jxx (cm ⁴)	Jyy (cm ⁴)	WT 60 P 1001	1,405 kg/mt
15,39	10,74		

CORNER CLEATS	A	B
	WT 60 A 2006 Lenght:18,8mm	WT 60 A 2007 Lenght:9,8mm

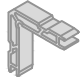



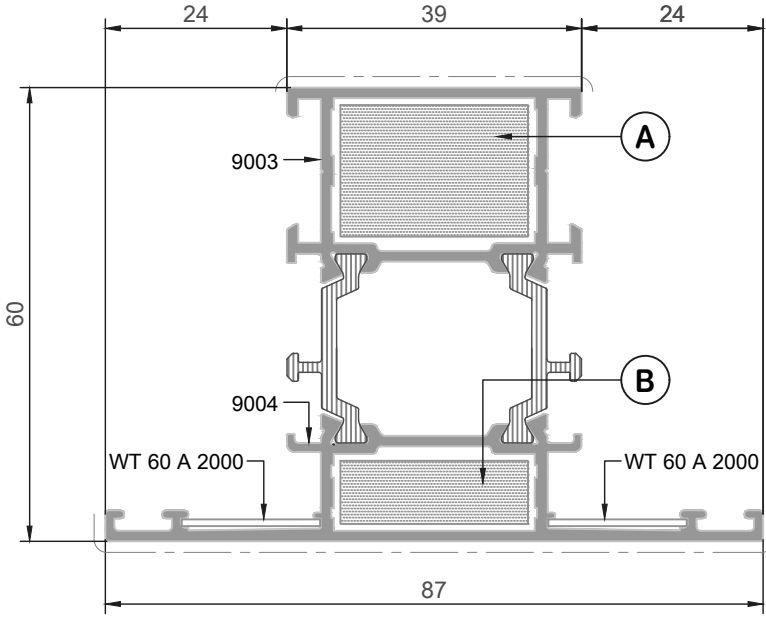
STATICAL VALUE		PROFILE CODE	Weight (kg/mt)
Jxx (cm4)	Jyy (cm4)	WT 60 P 1002	1,615 kg/mt
18,18	20,25		

CORNER CLEATS	A	B
	WT 60 A 2008 Lenght: 18,8mm	WT 60 A 2009 Lenght: 9,8mm

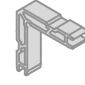



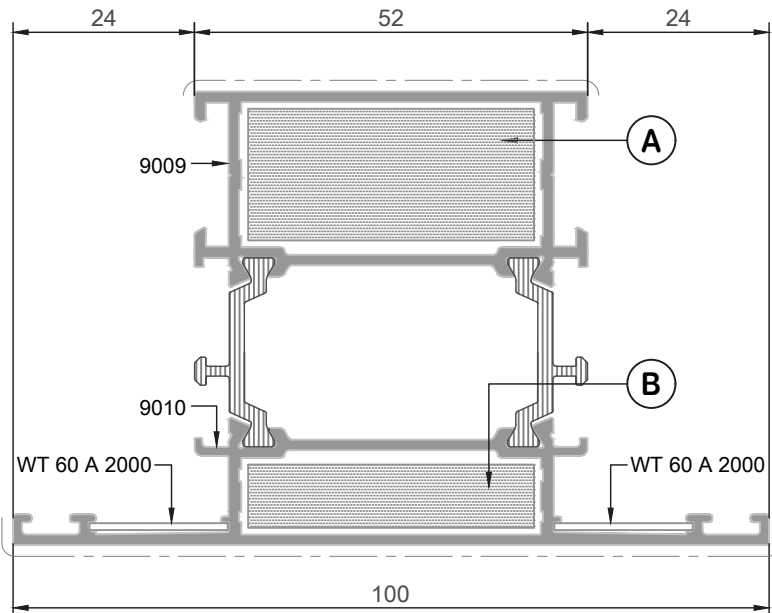
STATICAL VALUE		PROFILE CODE	Weight (kg/mt)
Jxx (cm4)	Jyy (cm4)	WT 60 P 1003	1,345 kg/mt
14,47	8,54		

CORNER CLEATS	A	B
	WT 60 A 2004 Lenght: 18,8mm	WT 60 A 2005 Lenght: 9,8mm
	WT 60 A 2010 Lenght: 13,2mm	WT 60 A 2011 Lenght: 13,2mm

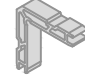



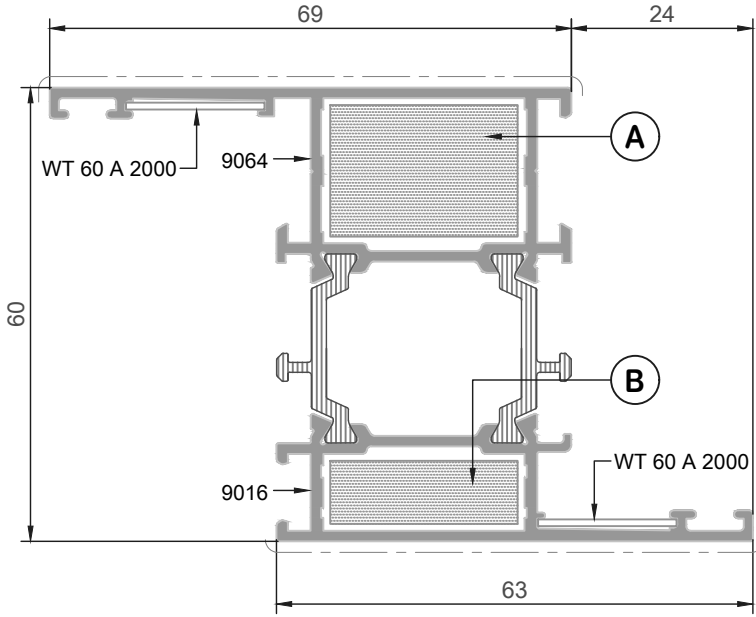
STATICAL VALUE		PROFILE CODE	Weight (kg/mt)
Jxx (cm ⁴)	Jyy (cm ⁴)	WT 60 P 1004	1,554 kg/mt
17,34	16,25		

CORNER CLEATS	A	B
	WT 60 A 2006 Lenght:18,8mm	WT 60 A 2007 Lenght:9,8mm
	WT 60 A 2012 Lenght:26,2mm	WT 60 A 2013 Lenght:26,2mm




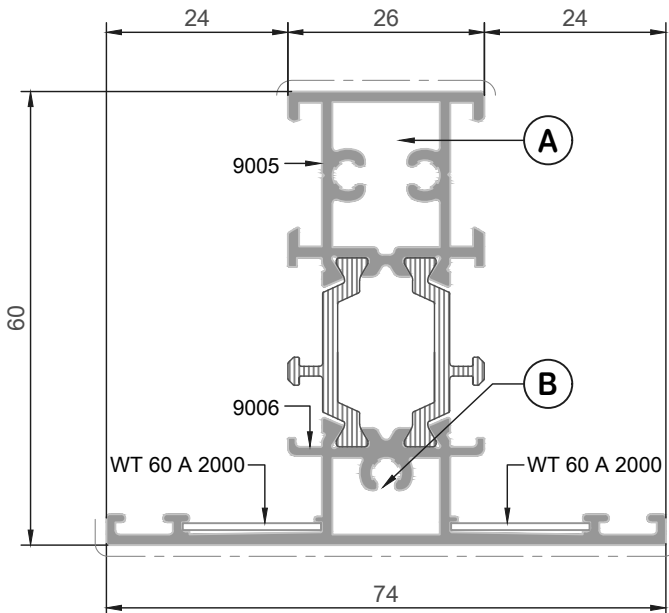
STATICAL VALUE		PROFILE CODE	Weight (kg/mt)
Jxx (cm ⁴)	Jyy (cm ⁴)	WT 60 P 1005	1,764 kg/mt
20,18	27,93		

CORNER CLEATS	A	B
	WT 60 A 2008 Lenght:18,8mm	WT 60 A 2009 Lenght:9,8mm
	WT 60 A 2014 Lenght:39,2mm	WT 60 A 2015 Lenght:39,2mm




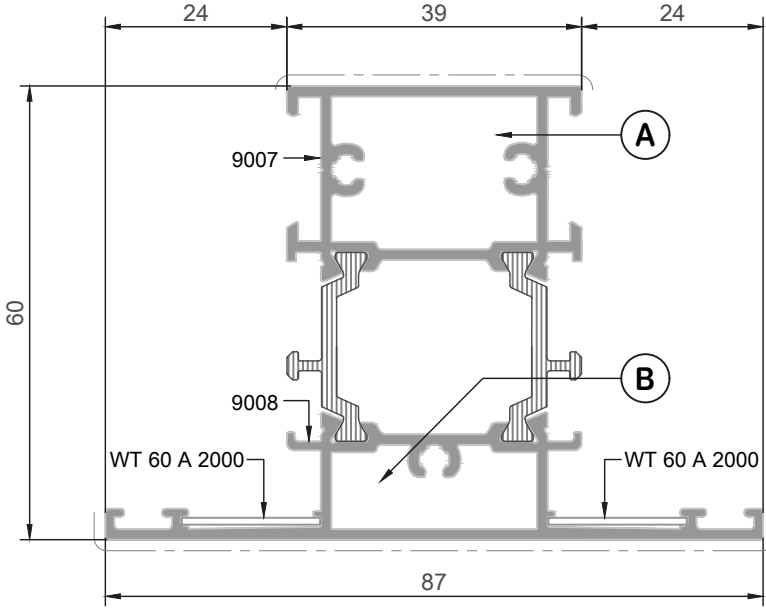
STATICAL VALUE		PROFILE CODE	Weight (kg/mt)
Jxx (cm ⁴)	Jyy (cm ⁴)	WT 60 P 1006	1,561 kg/mt
19,25	18,73		

CORNER CLEATS	A	B
	WT 60 A 2006 Lenght:18,8mm	WT 60 A 2007 Lenght:9,8mm




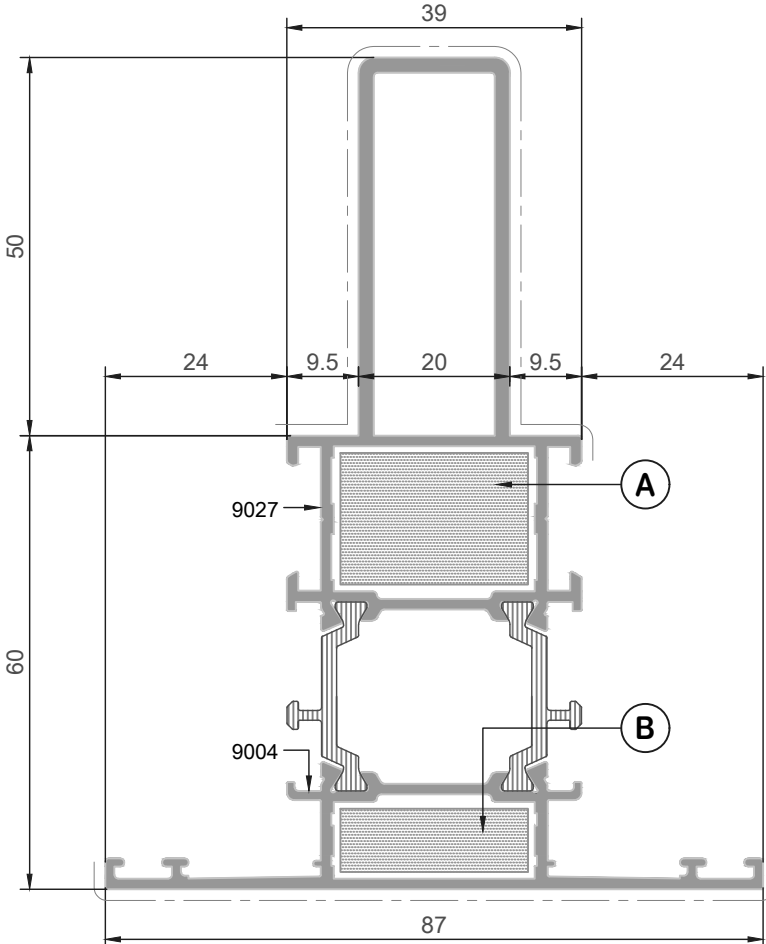
STATICAL VALUE		PROFILE CODE	Weight (kg/mt)
Jxx (cm ⁴)	Jyy (cm ⁴)	WT 60 P 1007	1,460 kg/mt
15,87	8,60		

T JOINT	A	B
	2x3,9mm INOX SCREW	1x3,9mm INOX SCREW




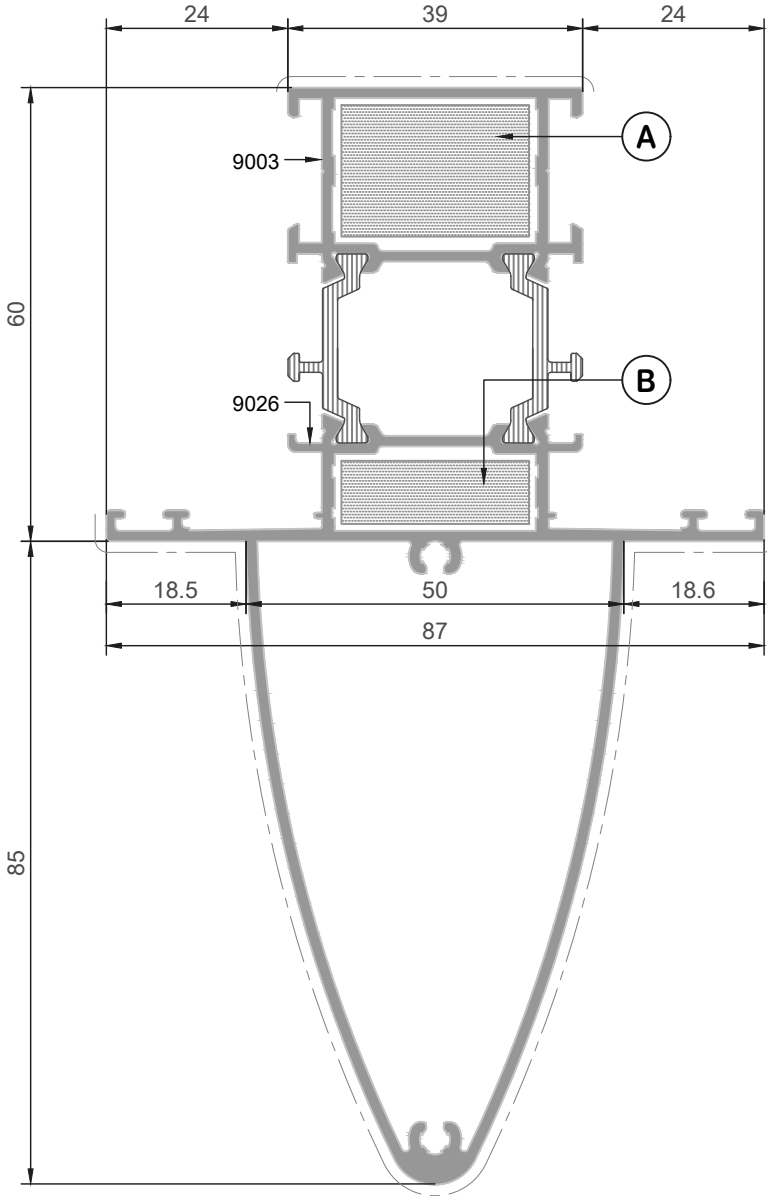
STATICAL VALUE		PROFILE CODE	Weight (kg/mt)
Jxx (cm ⁴)	Jyy (cm ⁴)	WT 60 P 1008	1,663 kg/mt
18,66	16,53		

T JOINT	A	B
	2x3,9mm INOX SCREW	1x3,9mm INOX SCREW




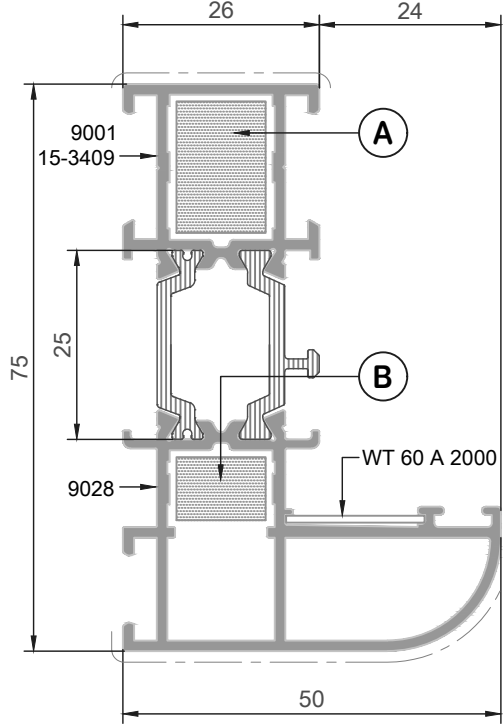
STATICAL VALUE		PROFILE CODE	Weight (kg/mt)
Jxx (cm ⁴)	Jyy (cm ⁴)	WT 60 P 1009	2,216 kg/mt
70,17	17,94		

CORNER CLEATS	A	B
	WT 60 A 2012 Lenght:26,2mm	WT 60 A 2013 Lenght:26,2mm

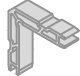


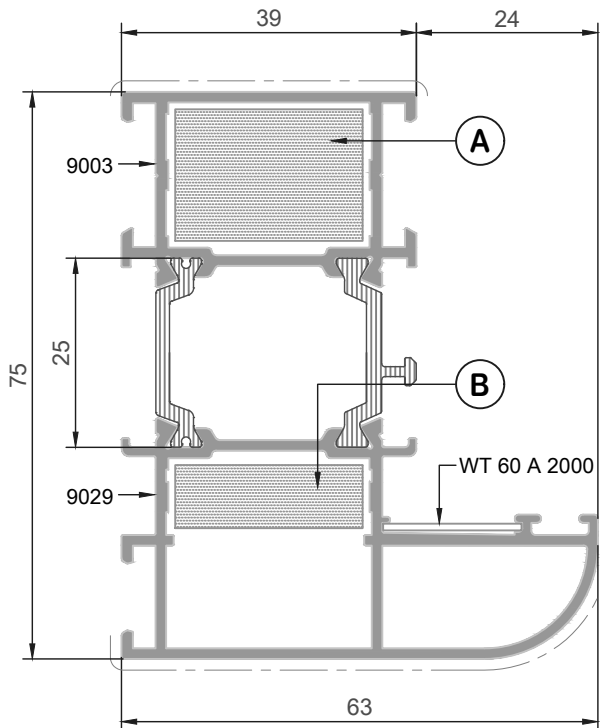
STATICAL VALUE		PROFILE CODE	Weight (kg/mt)
Jxx (cm ⁴)	Jyy (cm ⁴)	WT 60 P 1010	2,462 kg/mt
104,54	24,82		

CORNER CLEATS	A	B
	WT 60 A 2012 Lenght:26,2mm	WT 60 A 2013 Lenght:26,2mm

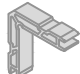


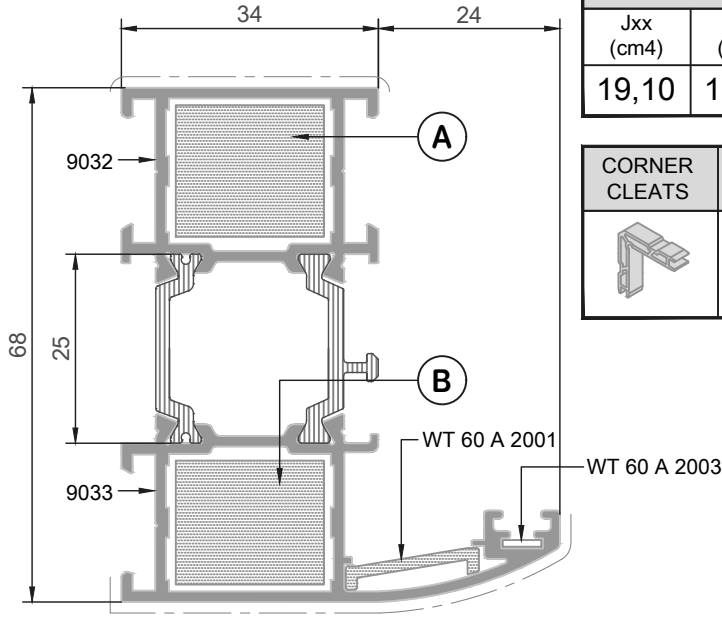
STATICAL VALUE		PROFILE CODE	Weight (kg/mt)
Jxx (cm ⁴)	Jyy (cm ⁴)	WT 60 P 1011	1,494 kg/mt
21,75	8,07		

CORNER CLEATS	A	B
	WT 60 A 2004 Lenght:18,8mm	WT 60 A 2005 Lenght:9,8mm

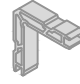


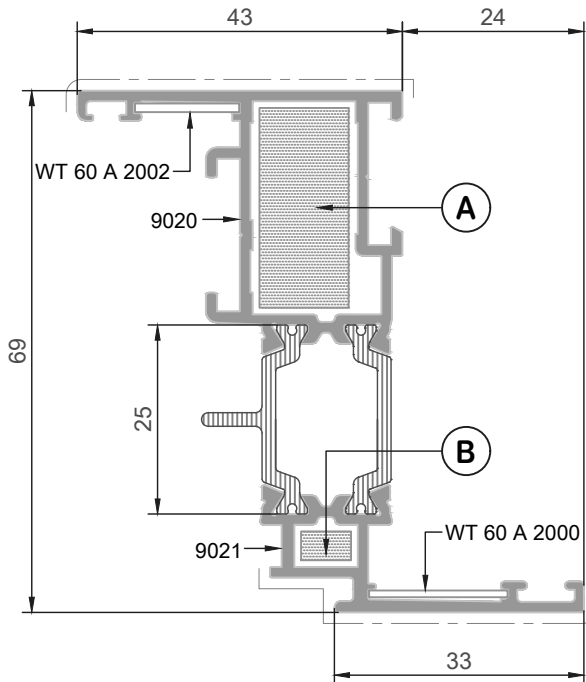
STATICAL VALUE		PROFILE CODE	Weight (kg/mt)
Jxx (cm ⁴)	Jyy (cm ⁴)	WT 60 P 1012	1,703 kg/mt
26,07	16,37		

CORNER CLEATS	A	B
	WT 60 A 2006 Lenght:18,8mm	WT 60 A 2007 Lenght:9,8mm

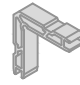


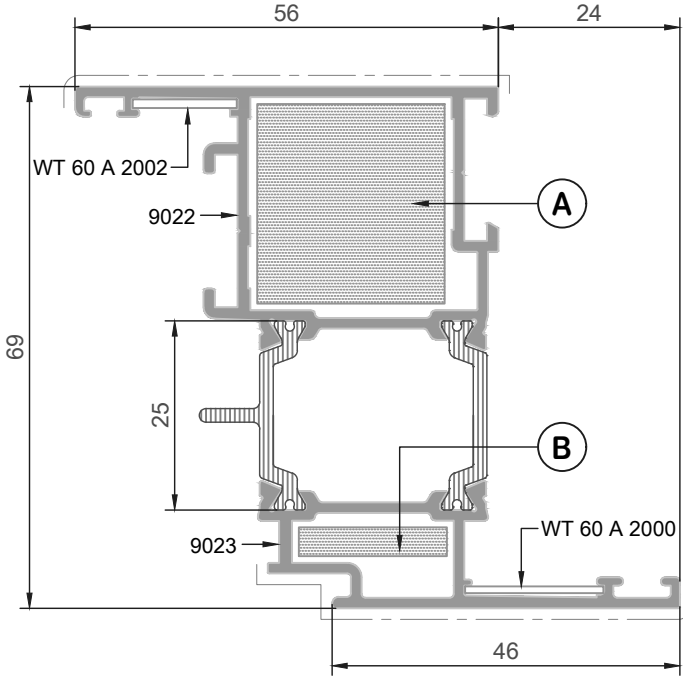
STATICAL VALUE		PROFILE CODE	Weight (kg/mt)
Jxx (cm ⁴)	Jyy (cm ⁴)	WT 60 P 1013	1,456 kg/mt
19,10	10,44		

CORNER CLEATS	A	B
	WT 60 A 2016 Lenght:18,8mm	WT 60 A 2017 Lenght:17,8mm




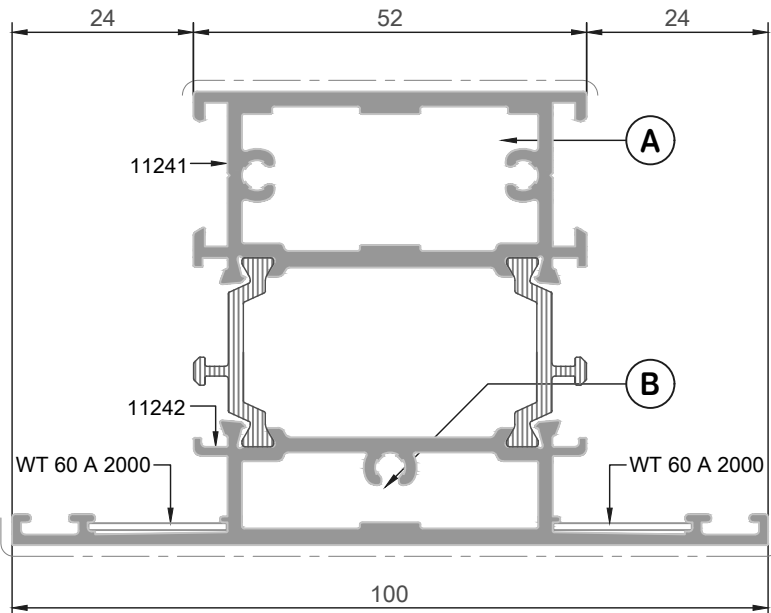
STATICAL VALUE		PROFILE CODE	Weight (kg/mt)
Jxx (cm ⁴)	Jyy (cm ⁴)	WT 60 P 1014	1,303 kg/mt
18,87	6,69		

CORNER CLEATS	A	B
	WT 60 A 2018 Lenght:27,8mm	WT 60 A 2019 Lenght:5,2mm




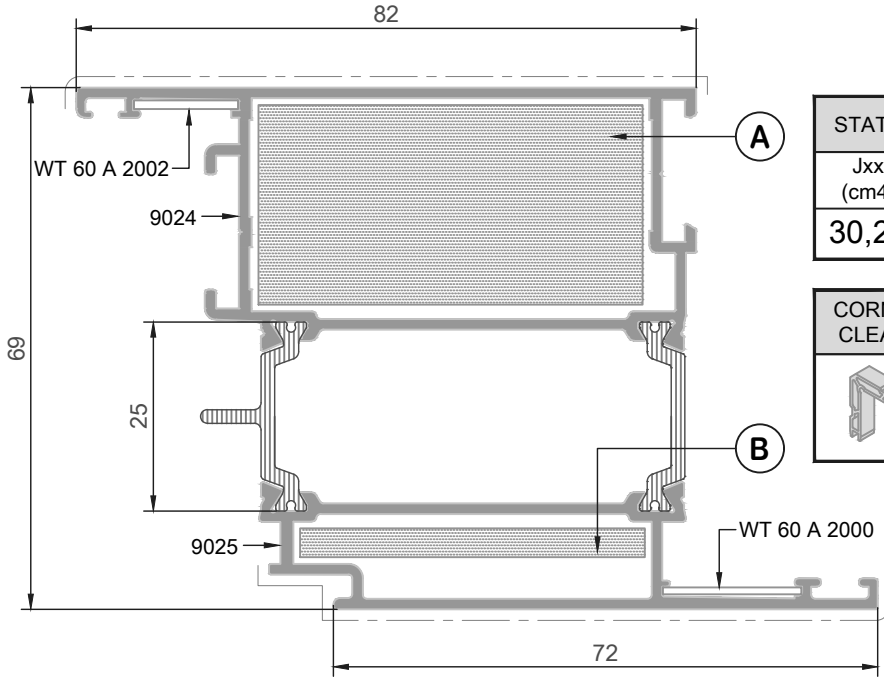
STATICAL VALUE		PROFILE CODE	Weight (kg/mt)
Jxx (cm ⁴)	Jyy (cm ⁴)	WT 60 P 1015	1,521 kg/mt
22,85	13,58		

CORNER CLEATS	A	B
	WT 60 A 2020 Lenght:27,8mm	WT 60 A 2021 Lenght:5,2mm




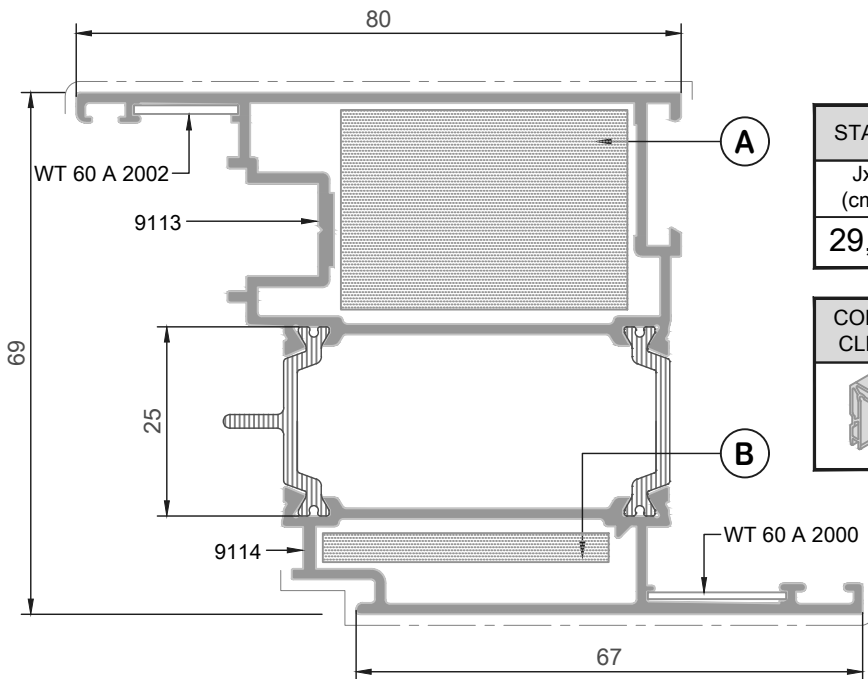
STATICAL VALUE		PROFILE CODE	Weight (kg/mt)
Jxx (cm ⁴)	Jyy (cm ⁴)	WT 60 P 1097	2,338 kg/mt
27,91	31,23		

CORNER CLEATS	A	B
	2x3,9mm INOX SCREW	1x3,9mm INOX SCREW




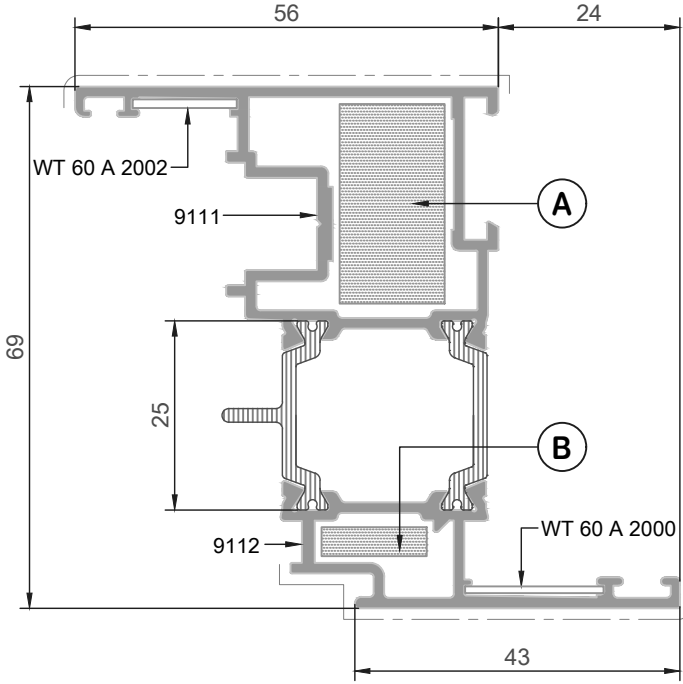
STATICAL VALUE		PROFILE CODE	Weight (kg/mt)
Jxx (cm ⁴)	Jyy (cm ⁴)	WT 60 P 1016	1,939 kg/mt
30,29	39,78		

CORNER CLEATS	A	B
	WT 60 A 2022 Lenght:27,8mm	WT 60 A 2023 Lenght:5,2mm

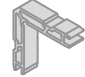


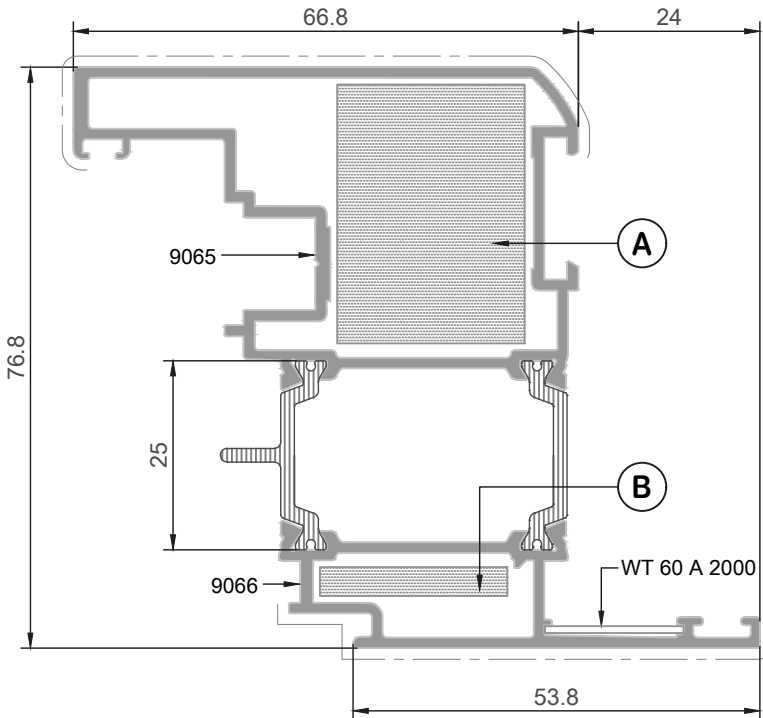
STATICAL VALUE		PROFILE CODE	Weight (kg/mt)
Jxx (cm ⁴)	Jyy (cm ⁴)	WT 60 P 1019	1,948 kg/mt
29,82	35,20		

CORNER CLEATS	A	B
	WT 60 A 2028 Lenght:27,8mm	WT 60 A 2029 Lenght:5,2mm

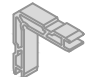


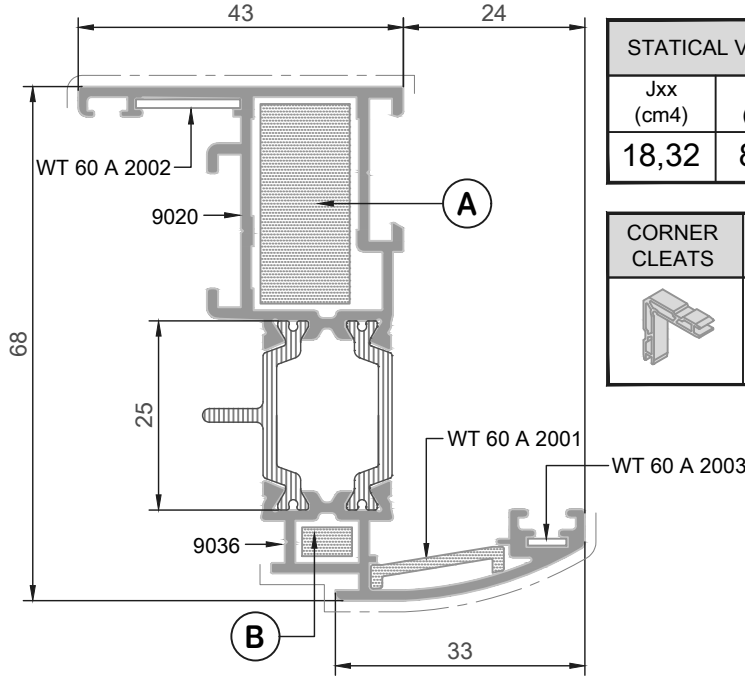
STATICAL VALUE		PROFILE CODE	Weight (kg/mt)
Jxx (cm ⁴)	Jyy (cm ⁴)	WT 60 P 1017	1,559 kg/mt
22,88	12,45		

CORNER CLEATS	A	B
	WT 60 A 2024 Lenght:27,8mm	WT 60 A 2025 Lenght:5,2mm




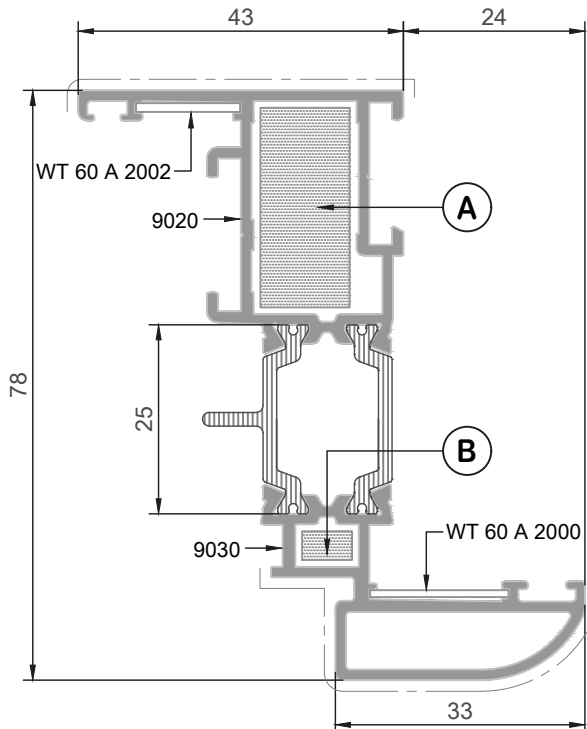
STATICAL VALUE		PROFILE CODE	Weight (kg/mt)
Jxx (cm ⁴)	Jyy (cm ⁴)	WT 60 P 1018	1,875 kg/mt
33,76	26,80		

CORNER CLEATS	A	B
	WT 60 A 2026 Lenght:35,6mm	WT 60 A 2027 Lenght:5,2mm




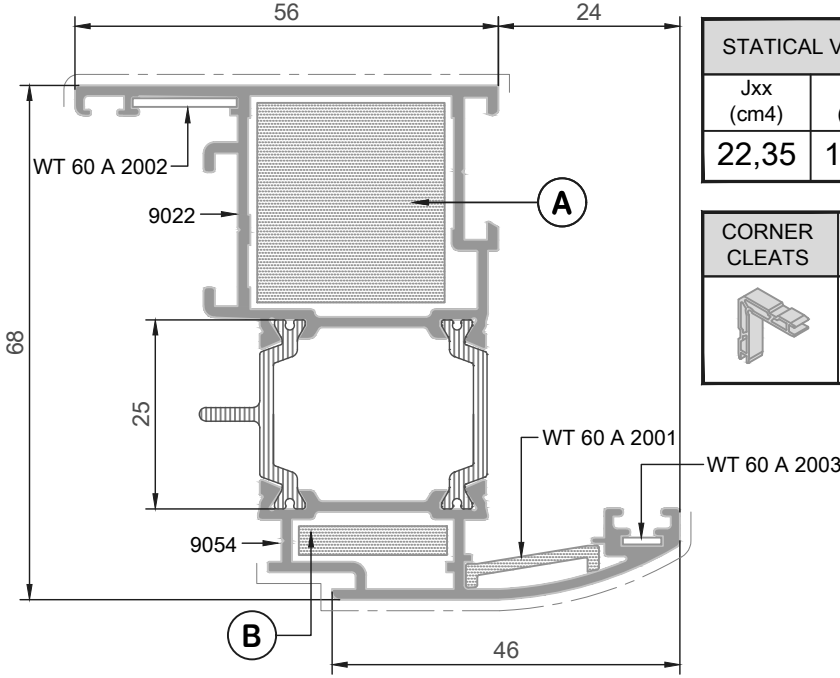
STATICAL VALUE		PROFILE CODE	Weight (kg/mt)
Jxx (cm4)	Jyy (cm4)	WT 60 P 1020	1,336 kg/mt
18,32	8,14		

CORNER CLEATS	A	B
	WT 60 A 2018 Lenght:27,8mm	WT 60 A 2019 Lenght:5,2mm

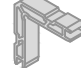


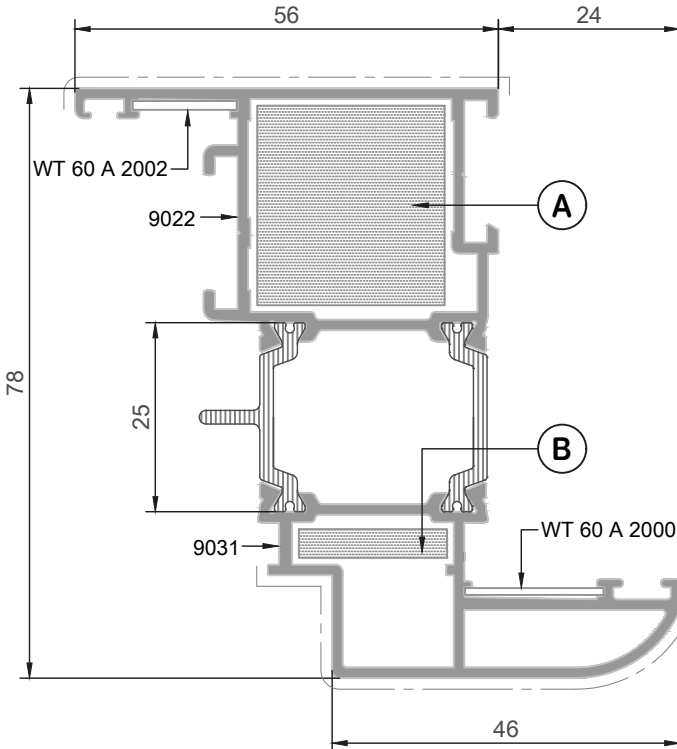
STATICAL VALUE		PROFILE CODE	Weight (kg/mt)
Jxx (cm4)	Jyy (cm4)	WT 60 P 1021	1,476 kg/mt
25,76	8,76		

CORNER CLEATS	A	B
	WT 60 A 2018 Lenght:27,8mm	WT 60 A 2019 Lenght:5,2mm

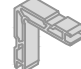


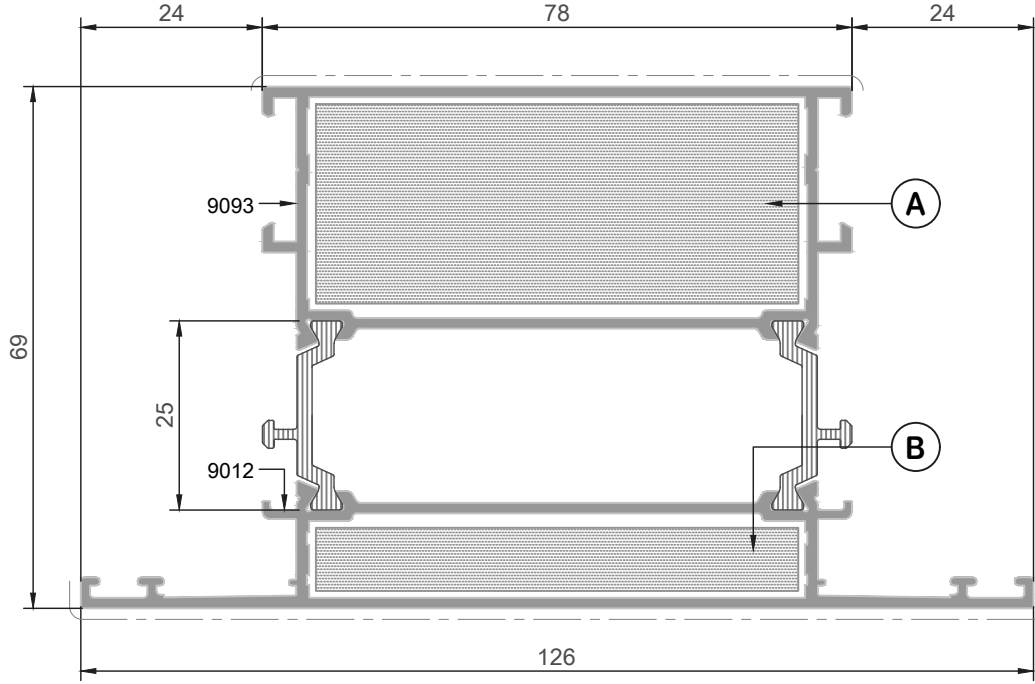
STATICAL VALUE		PROFILE CODE	Weight (kg/mt)
Jxx (cm ⁴)	Jyy (cm ⁴)	WT 60 P 1022	1,562 kg/mt
22,35	15,73		

CORNER CLEATS	A	B
	WT 60 A 2020 Lenght:27,8mm	WT 60 A 2021 Lenght:5,2mm




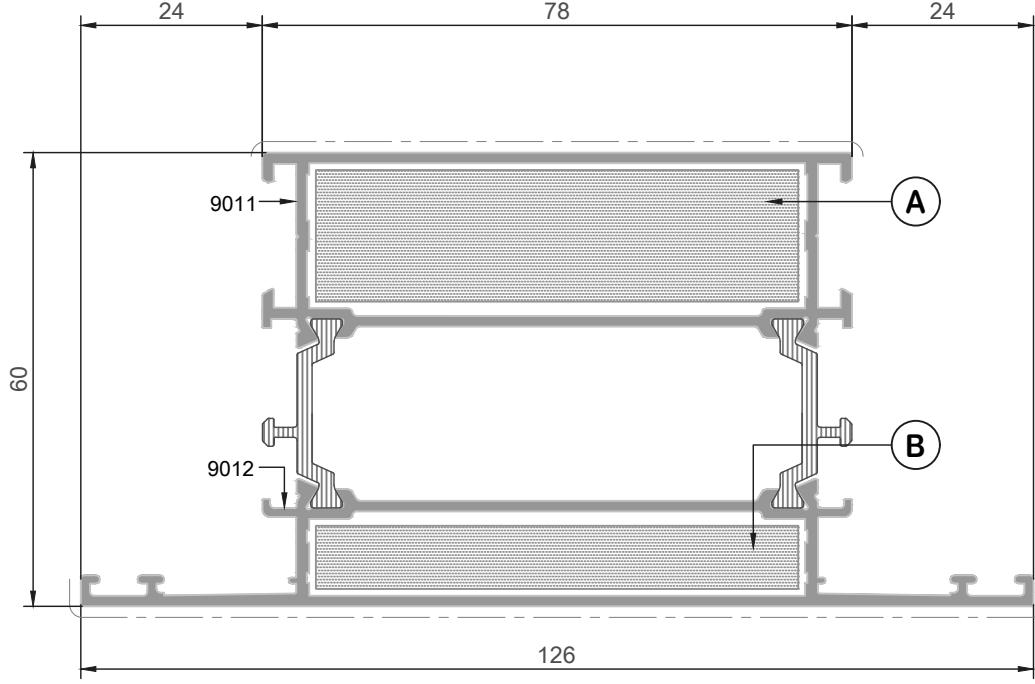
STATICAL VALUE		PROFILE CODE	Weight (kg/mt)
Jxx (cm ⁴)	Jyy (cm ⁴)	WT 60 P 1023	1,712 kg/mt
30,98	17,05		

CORNER CLEATS	A	B
	WT 60 A 2020 Lenght:27,8mm	WT 60 A 2021 Lenght:5,2mm




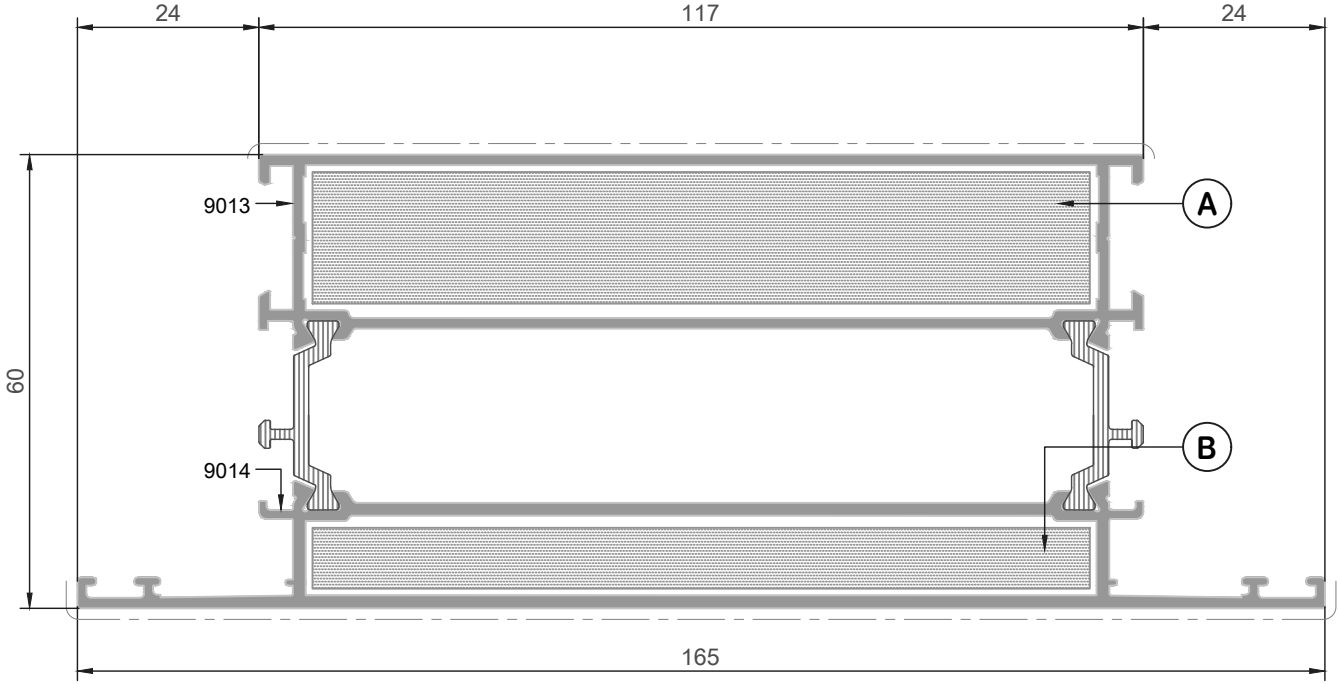
STATICAL VALUE		PROFILE CODE	Weight (kg/mt)
Jxx (cm ⁴)	Jyy (cm ⁴)	WT 60 P 1024	2,244 kg/mt
34,74	68,09		

CORNER CLEATS	A	B
	WT 60 A 2030 Lenght:65,2mm	WT 60 A 2031 Lenght:65,2mm




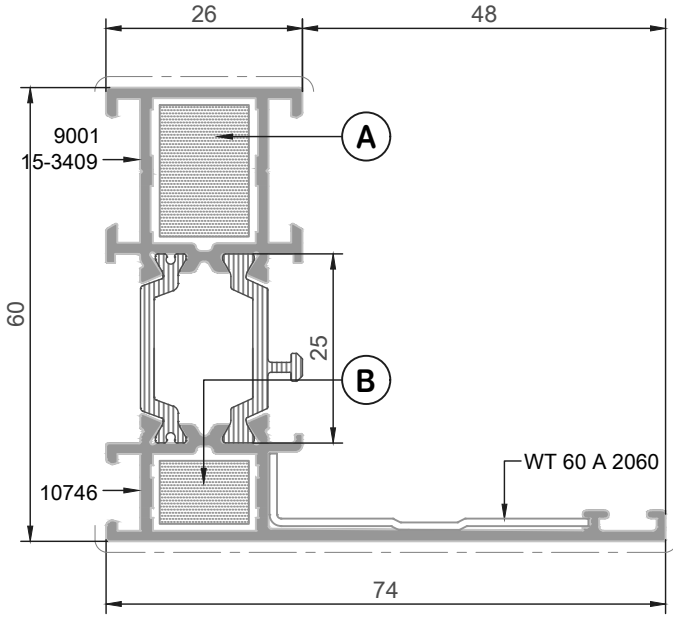
STATICAL VALUE		PROFILE CODE	Weight (kg/mt)
Jxx (cm ⁴)	Jyy (cm ⁴)	WT 60 P 1025	2,181 kg/mt
25,83	65,66		

CORNER CLEATS	A	B
	WT 60 A 2030 Lenght:65,2mm	WT 60 A 2031 Lenght:65,2mm




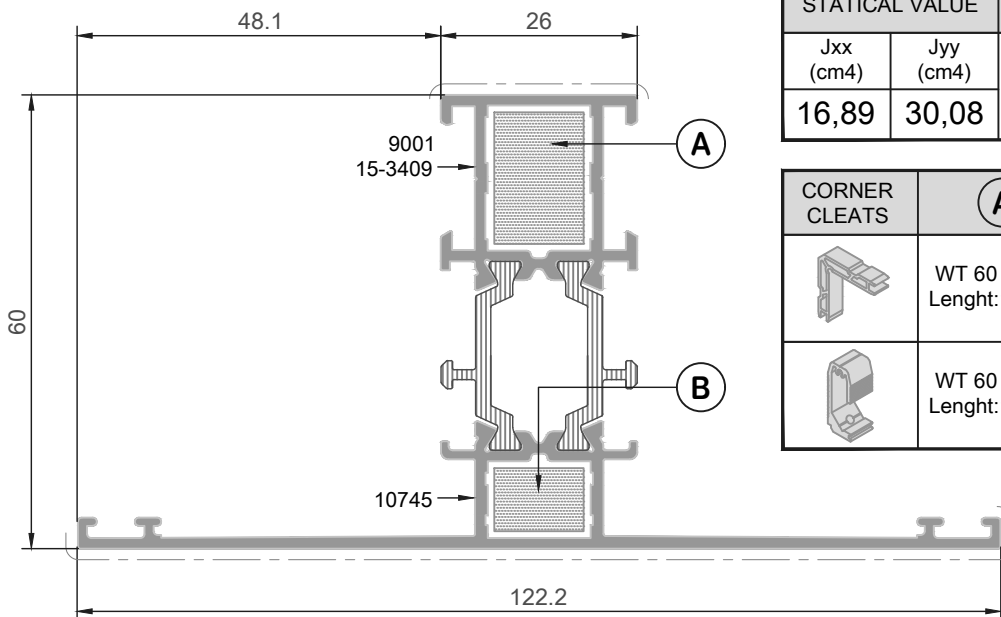
STATICAL VALUE		PROFILE CODE	Weight (kg/mt)
Jxx (cm ⁴)	Jyy (cm ⁴)	WT 60 P 1026	2,984 kg/mt
35,96	172,78		

CORNER CLEATS	A	B
	WT 60 A 2032 Lenght:104,2mm	WT 60 A 2033 Lenght:104,2mm





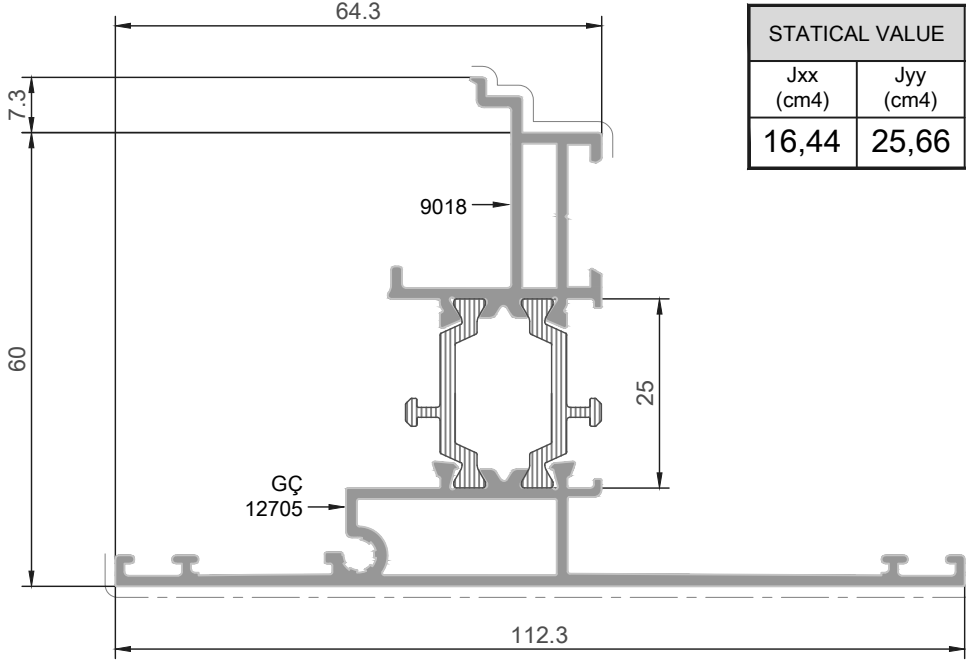
STATICAL VALUE		PROFILE CODE	Weight (kg/mt)
Jxx (cm ⁴)	Jyy (cm ⁴)	WT 60 P 1027	1,301kg/mt
14,22	13,51		

CORNER CLEATS	A	B
	WT 60 A 2004 Lenght:18,8mm	WT 60 A 2005 Lenght:9,8mm

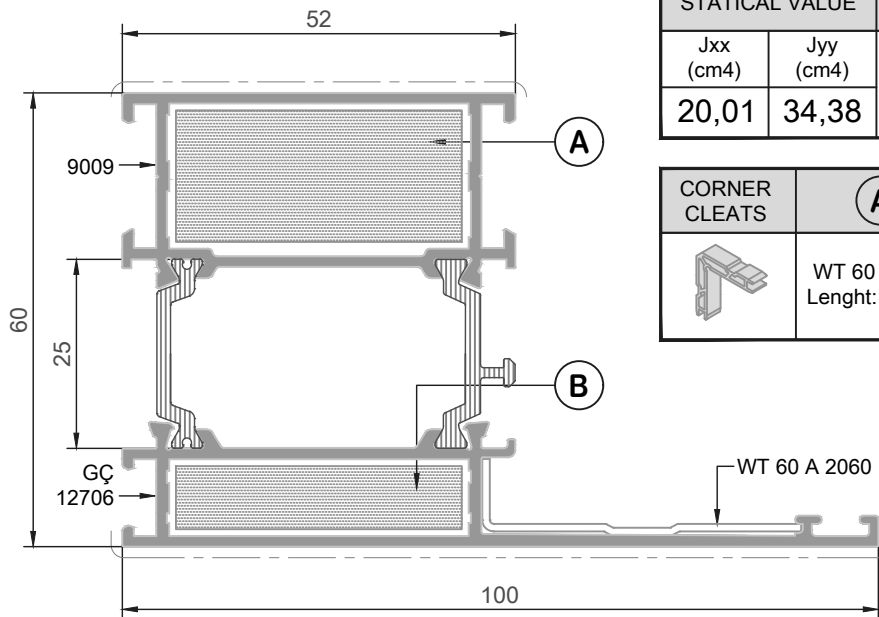


STATICAL VALUE		PROFILE CODE	Weight (kg/mt)
Jxx (cm ⁴)	Jyy (cm ⁴)	WT 60 P 1028	1,553 kg/mt
16,89	30,08		


CORNER CLEATS	A	B
	WT 60 A 2004 Lenght:18,8mm	WT 60 A 2005 Lenght:9,8mm
	WT 60 A 2010 Lenght:13,2mm	WT 60 A 2080 Lenght:13,2mm

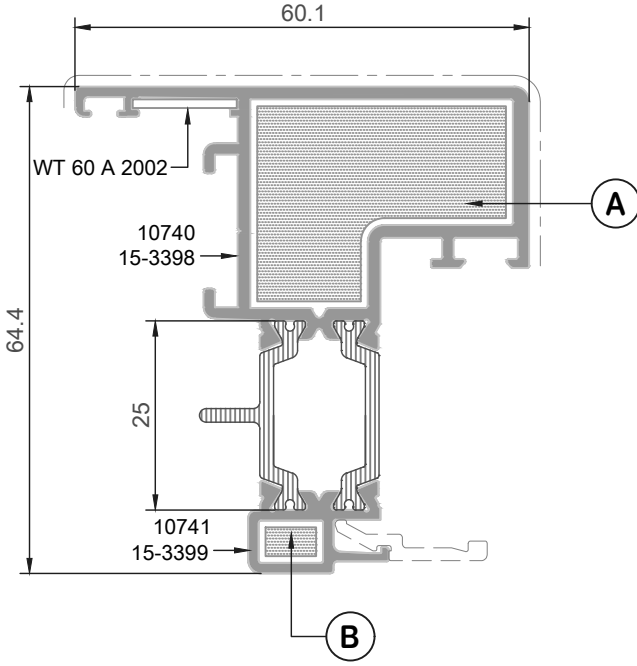


STATICAL VALUE		PROFILE CODE	Weight (kg/mt)
Jxx (cm ⁴)	Jyy (cm ⁴)	WT 60 P 1099	1,566 kg/mt
16,44	25,66		




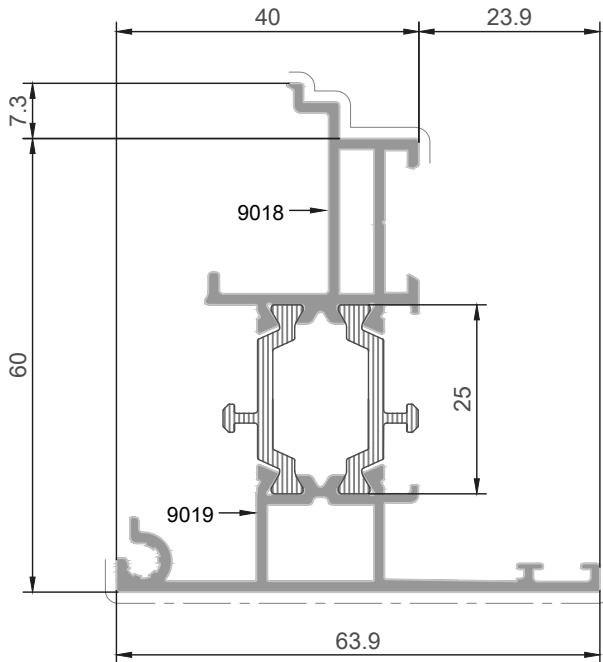
STATICAL VALUE		PROFILE CODE	Weight (kg/mt)
Jxx (cm ⁴)	Jyy (cm ⁴)	WT 60 P 1098	1,732 kg/mt
20,01	34,38		

CORNER CLEATS	A	B
	WT 60 A 2008 Lenght:18,8mm	WT 60 A 2009 Lenght:9,8mm



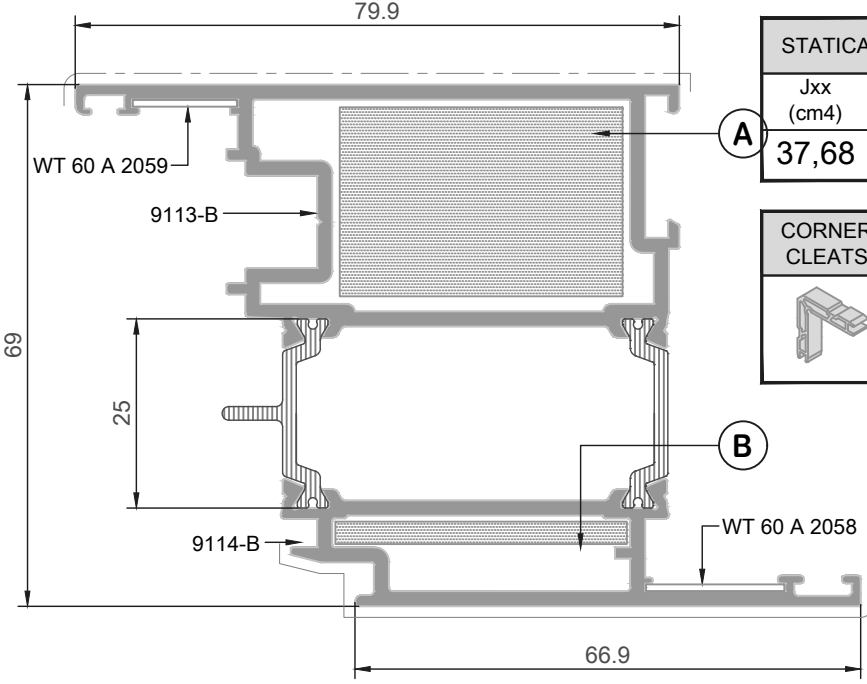
STATICAL VALUE		PROFILE CODE	Weight (kg/mt)
Jxx (cm4)	Jyy (cm4)	WT 60 P 1029	1,389 kg/mt
14,03	9,05		

CORNER CLEATS	A	B
	WT 60 A 2034 Lenght:27,2mm	WT 60 A 2019 Lenght:5,2mm




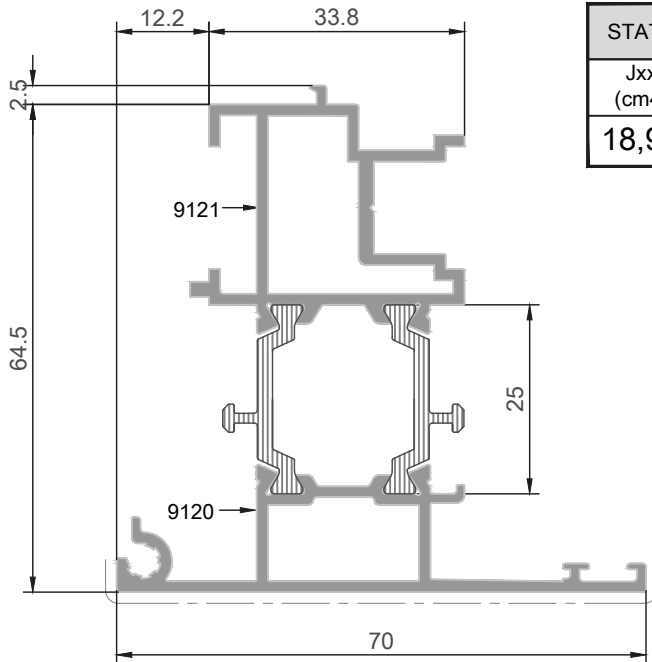
STATICAL VALUE		PROFILE CODE	Weight (kg/mt)
Jxx (cm4)	Jyy (cm4)	WT 60 P 1030	1,291 kg/mt
13,72	6,71		

2mm THICK PROFILES 2mm KALIN PROFİLLER



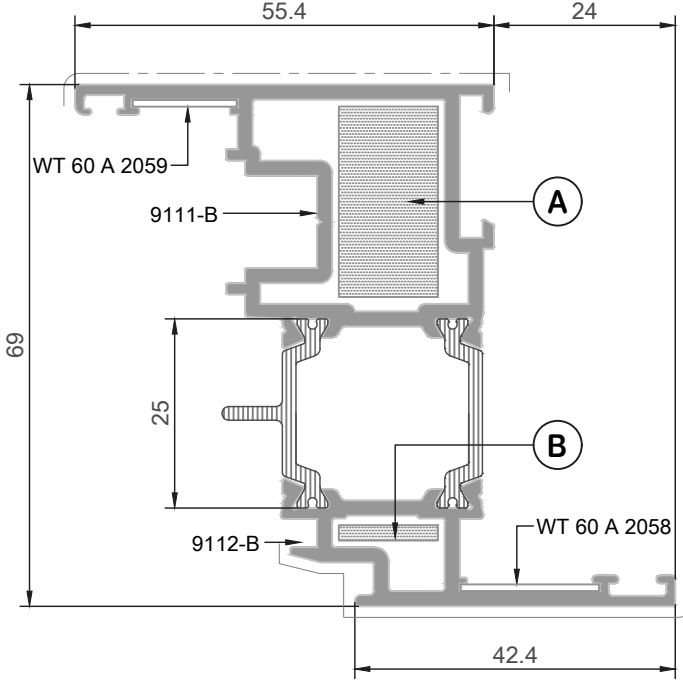
STATICAL VALUE		PROFILE CODE	Weight (kg/mt)
Jxx (cm4)	Jyy (cm4)	WT 60 P 1031	2,431 kg/mt
37,68	41,12		

CORNER CLEATS	A	B
	WT 60 A 2036 Lenght:26,6mm	WT 60 A 2037 Lenght:3,4mm

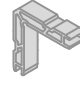


STATICAL VALUE		PROFILE CODE	Weight (kg/mt)
Jxx (cm4)	Jyy (cm4)	WT 60 P 1092	1,556 kg/mt
18,97	10,31		

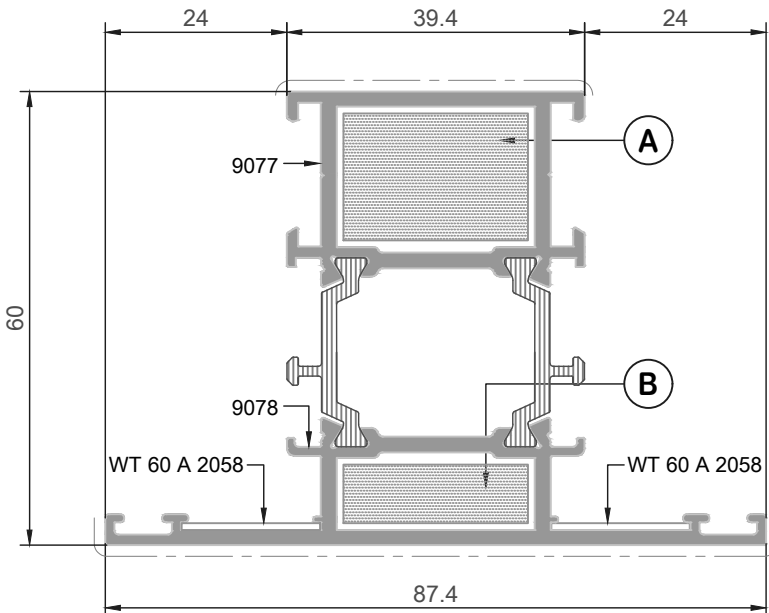
2mm THICK PROFILES 2mm KALIN PROFİLLER



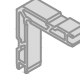

STATICAL VALUE		PROFILE CODE	Weight (kg/mt)
Jxx (cm4)	Jyy (cm4)	WT 60 P 1032	1,859 kg/mt
27,39	13,62		

CORNER CLEATS	A	B
	WT 60 A 2038 Lenght:26,6mm	WT 60 A 2039 Lenght:3,4mm

2mm THICK PROFILES 2mm KALIN PROFİLLER

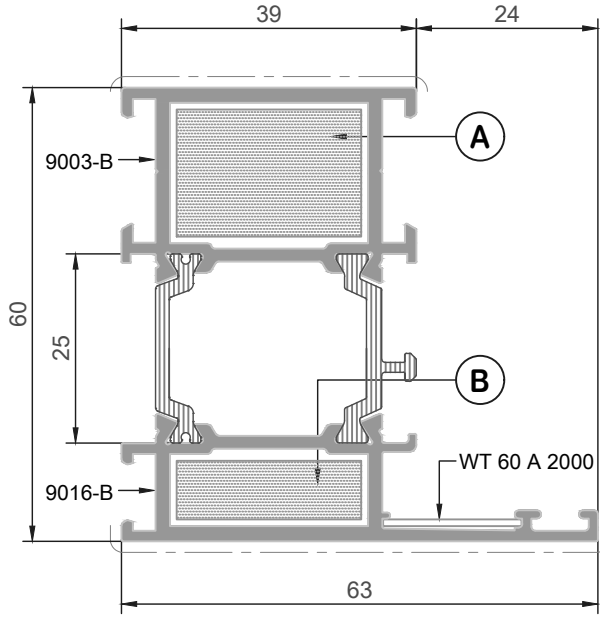


STATICAL VALUE		PROFILE CODE	Weight (kg/mt)
Jxx (cm4)	Jyy (cm4)	WT 60 P 1033	1,850 kg/mt
21,54	18,37		


CORNER CLEATS	A	B
	WT 60 A 2040 Lenght:18,2mm	WT 60 A 2041 Lenght:9,2mm
	WT 60 A 2042 Lenght:25,8mm	WT 60 A 2043 Lenght:25,8mm

2mm THICK PROFILES

2mm KALIN PROFİLLER

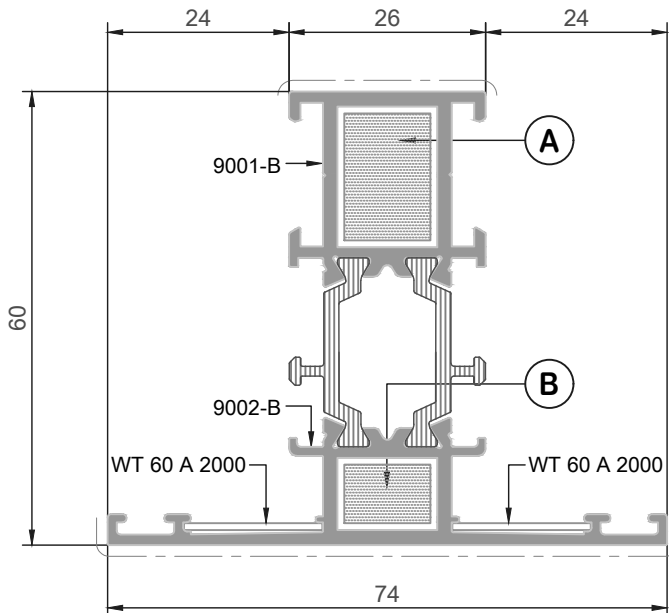


STATICAL VALUE		PROFILE CODE	Weight (kg/mt)
Jxx (cm ⁴)	Jyy (cm ⁴)	WT 60 P 1034	1,582 kg/mt
18,20	11,38		

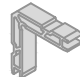

CORNER CLEATS	A	B
	WT 60 A 2040 Lenght:18,2mm	WT 60 A 2041 Lenght:9,2mm

2mm THICK PROFILES

2mm KALIN PROFİLLER

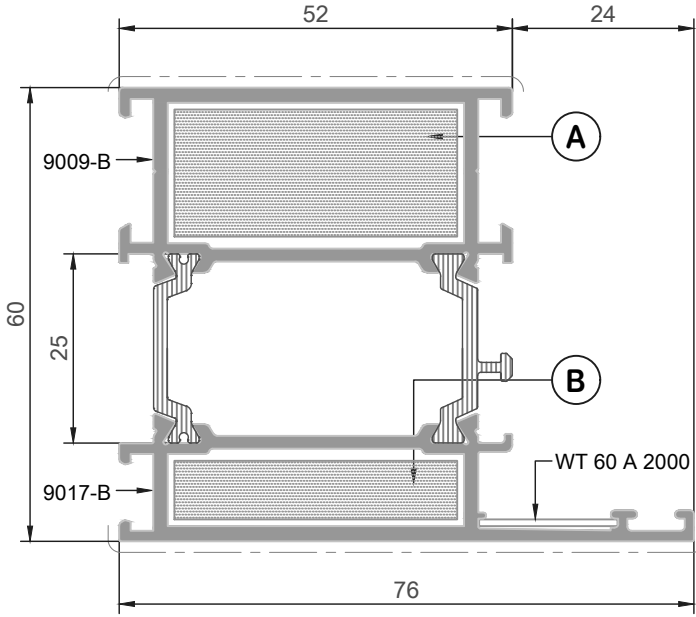


STATICAL VALUE		PROFILE CODE	Weight (kg/mt)
Jxx (cm ⁴)	Jyy (cm ⁴)	WT 60 P 1035	1,463 kg/mt
16,41	8,67		


CORNER CLEATS	A	B
	WT 60 A 2046 Lenght:18,2mm	WT 60 A 2047 Lenght:9,2mm
	WT 60 A 2010 Lenght:13,2mm	WT 60 A 2011 Lenght:13,2mm

2mm THICK PROFILES

2mm KALIN PROFİLLER

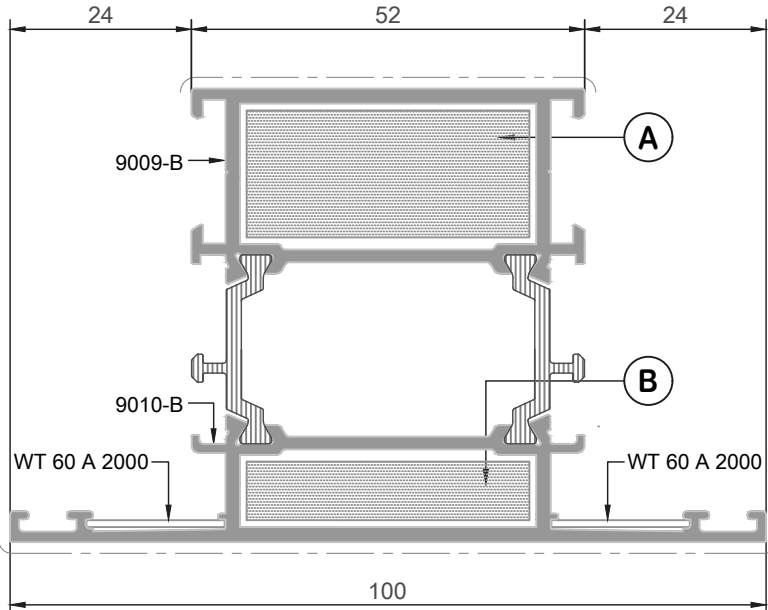


STATICAL VALUE		PROFILE CODE	Weight (kg/mt)
Jxx (cm ⁴)	Jyy (cm ⁴)	WT 60 P 1036	1,858 kg/mt
22,03	21,84		

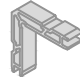

CORNER CLEATS	A	B
	WT 60 A 2050 Lenght:18,2mm	WT 60 A 2051 Lenght:9,2mm

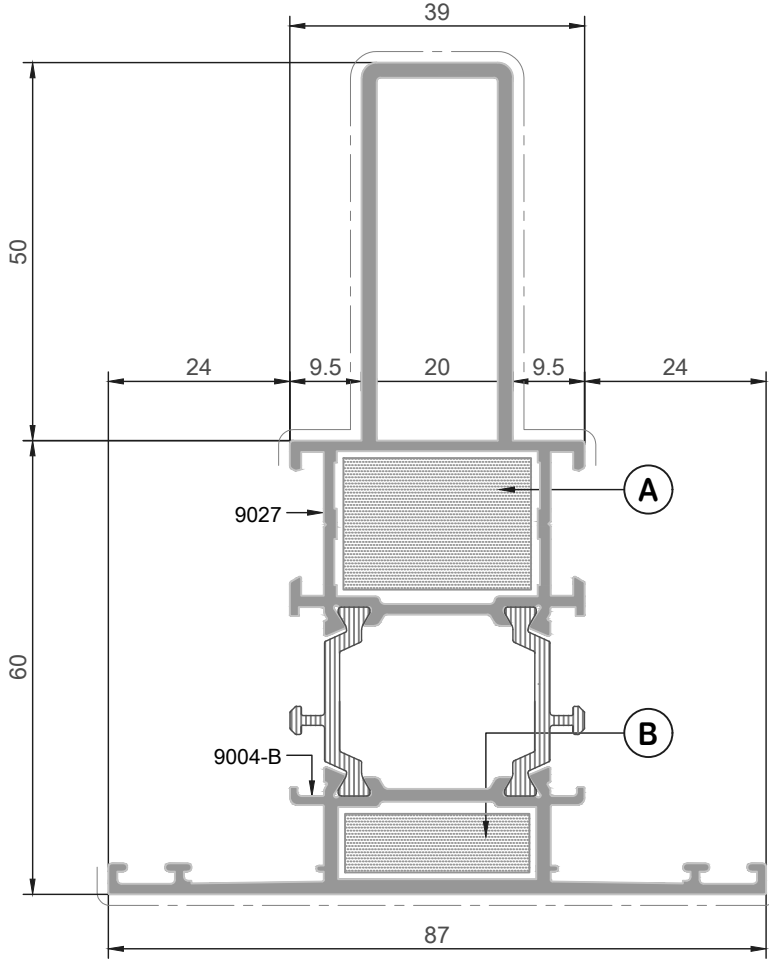
2mm THICK PROFILES

2mm KALIN PROFİLLER




STATICAL VALUE		PROFILE CODE	Weight (kg/mt)
Jxx (cm ⁴)	Jyy (cm ⁴)	WT 60 P 1037	2,006 kg/mt
24,14	29,46		

CORNER CLEATS	A	B
	WT 60 A 2050 Lenght:18,2mm	WT 60 A 2051 Lenght:9,2mm
	WT 60 A 2052 Lenght:38,8mm	WT 60 A 2053 Lenght:38,8mm




2mm THICK PROFILES
2mm KALIN PROFİLLER

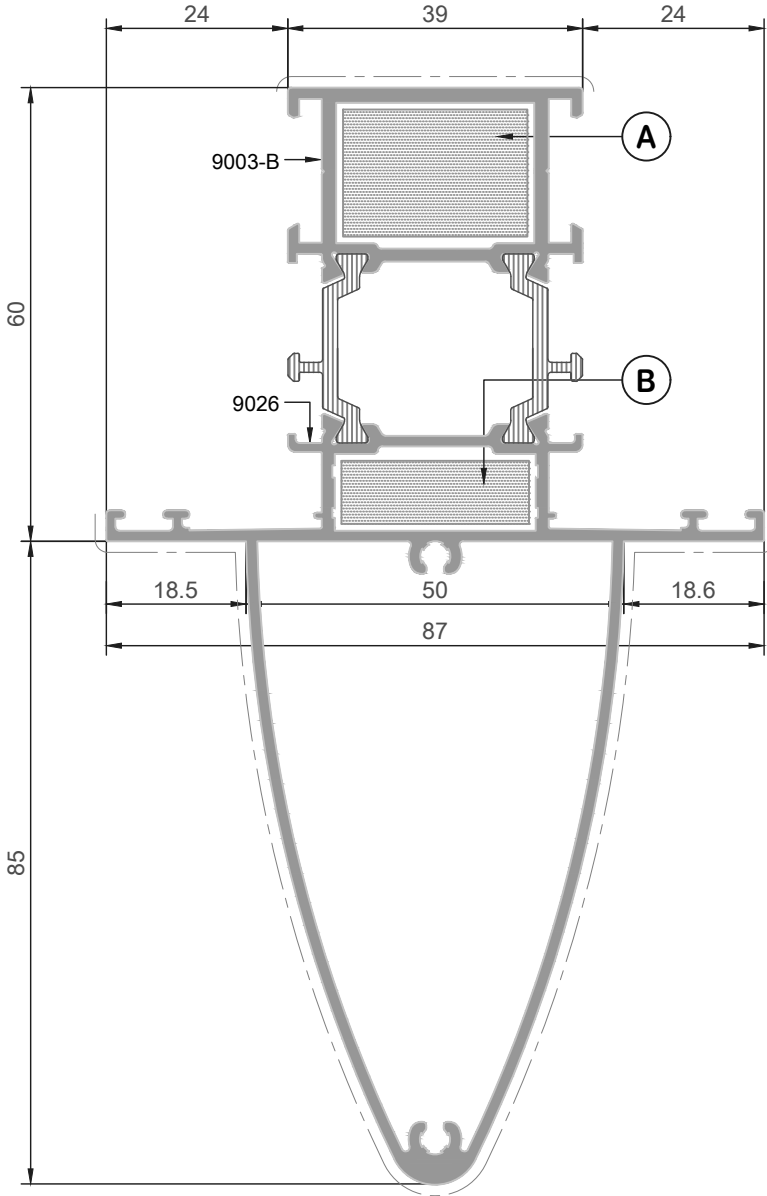
STATICAL VALUE		PROFILE CODE	Weight (kg/mt)
Jxx (cm ⁴)	Jyy (cm ⁴)	WT 60 P 1038	2,292 kg/mt
73,26	18,14		

CORNER CLEATS	A	B
	WT 60 A 2012 Lenght:26,2mm	WT 60 A 2043 Lenght:25,8mm

2mm THICK PROFILES 2mm KALIN PROFİLLER

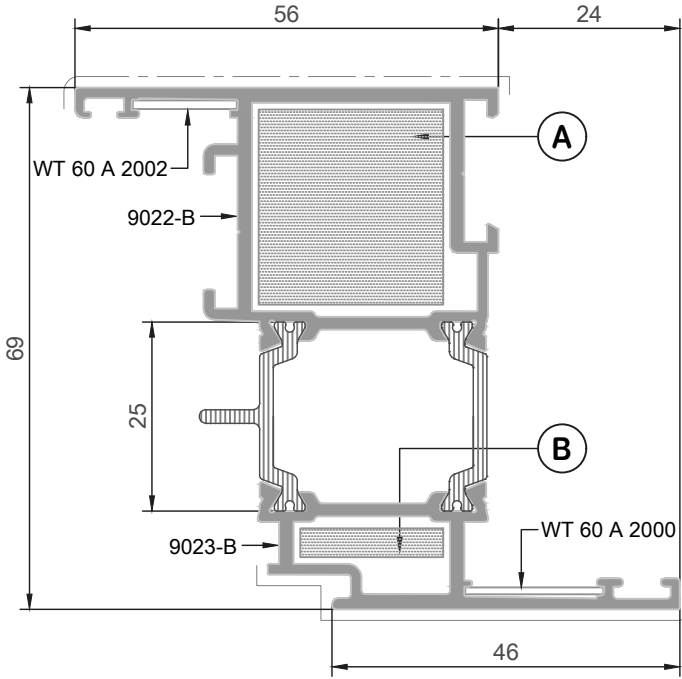
STATICAL VALUE		PROFILE CODE	Weight (kg/mt)
Jxx (cm ⁴)	Jyy (cm ⁴)	WT 60 P 1039	2,564 kg/mt
112,42	25,22		

CORNER CLEATS	A	B
	WT 60 A 2042 Lenght:25,8mm	WT 60 A 2013 Lenght:26,2mm

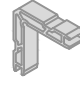


2mm THICK PROFILES

2mm KALIN PROFİLLER

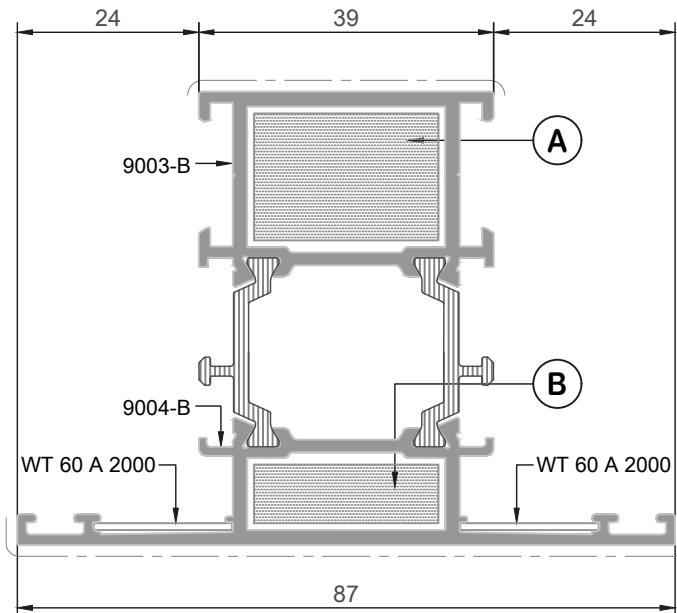


STATICAL VALUE		PROFILE CODE	Weight (kg/mt)
Jxx (cm ⁴)	Jyy (cm ⁴)	WT 60 P 1040	1,687 kg/mt
25,90	14,15		

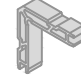

CORNER CLEATS	A	B
	WT 60 A 2054 Lenght:27,2mm	WT 60 A 2055 Lenght:5,2mm

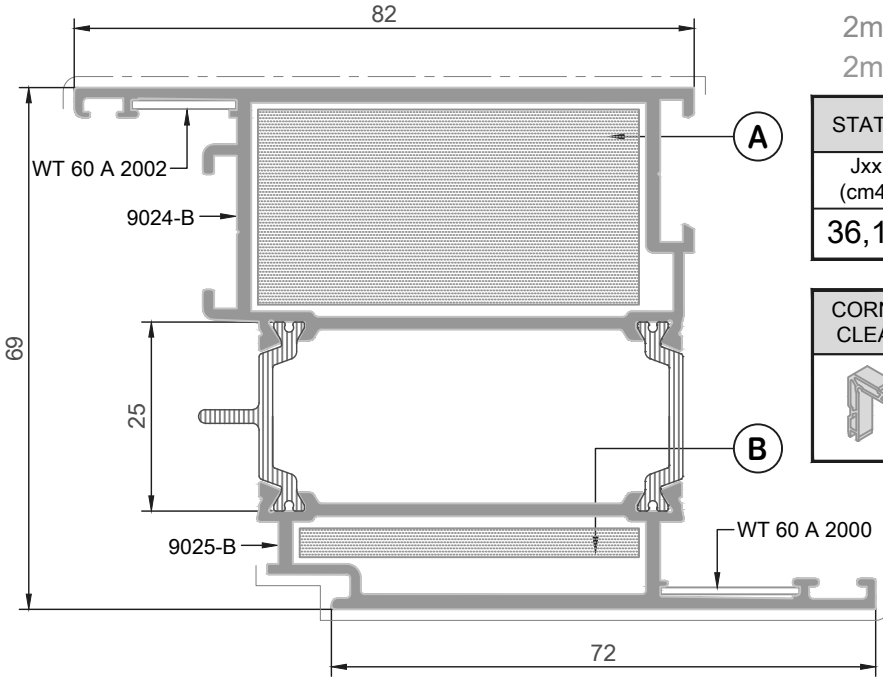
2mm THICK PROFILES

2mm KALIN PROFİLLER




STATICAL VALUE		PROFILE CODE	Weight (kg/mt)
Jxx (cm ⁴)	Jyy (cm ⁴)	WT 60 P 1042	1,731 kg/mt
20,26	16,82		

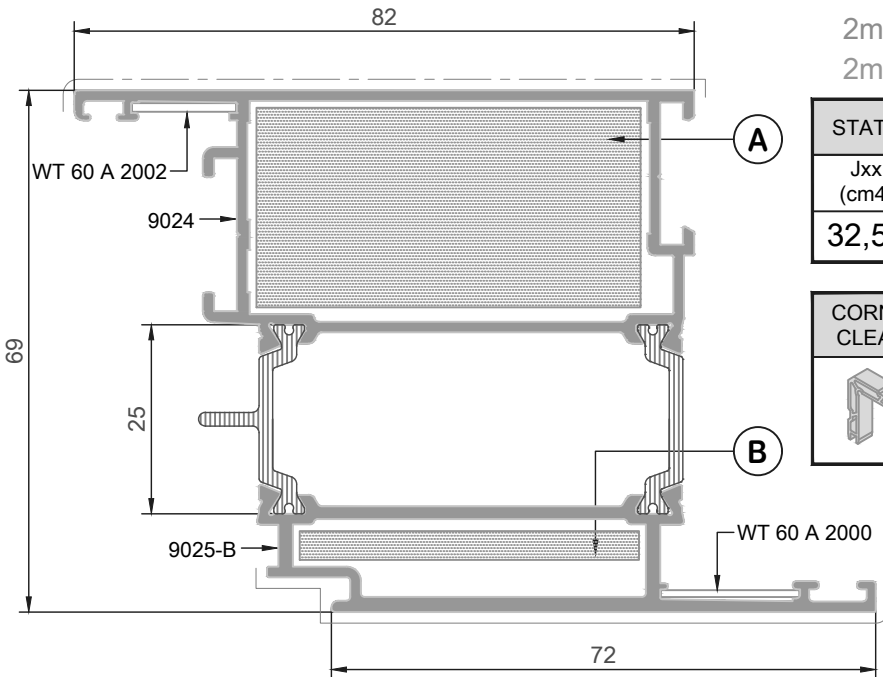
CORNER CLEATS	A	B
	WT 60 A 2040 Lenght:18,2mm	WT 60 A 2041 Lenght:9,2mm
	WT 60 A 2042 Lenght:25,8mm	WT 60 A 2043 Lenght:25,8mm



2mm THICK PROFILES
2mm KALIN PROFİLLER


STATICAL VALUE		PROFILE CODE	Weight (kg/mt)
Jxx (cm ⁴)	Jyy (cm ⁴)	WT 60 P 1041	2,239 kg/mt
36,19	42,82		

CORNER CLEATS	A	B
	WT 60 A 2056 Lenght:27,8mm	WT 60 A 2057 Lenght:5,2mm



2mm THICK PROFILES
2mm KALIN PROFİLLER

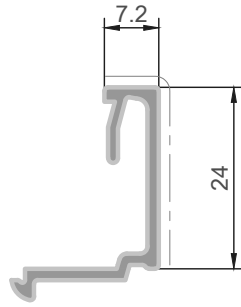
STATICAL VALUE		PROFILE CODE	Weight (kg/mt)
Jxx (cm ⁴)	Jyy (cm ⁴)	WT 60 P 1043	2,057 kg/mt
32,55	40,49		

CORNER CLEATS	A	B
	WT 60 A 2022 Lenght:27,8mm	WT 60 A 2057 Lenght:5,2mm

GLAZING BEAD PROFILE / CAM ÇİTA PROFİLİ

PROFILE CODE	Weight (kg/mt)
WT 60 P 1044	0,255 kg/mt

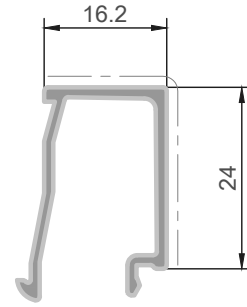
Die number : 9063



GLAZING BEAD PROFILE / CAM ÇİTA PROFİLİ

PROFILE CODE	Weight (kg/mt)
WT 60 P 1047	0,287 kg/mt

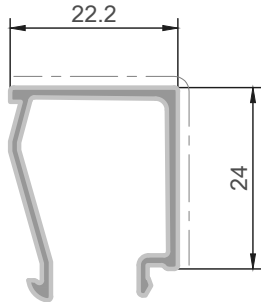
Die number : 9045



GLAZING BEAD PROFILE / CAM ÇİTA PROFİLİ

PROFILE CODE	Weight (kg/mt)
WT 60 P 1049	0,314 kg/mt

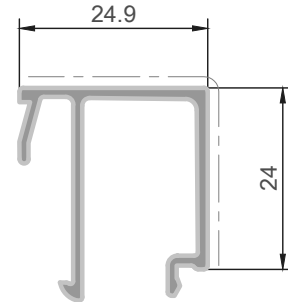
Die number : 9044



GLAZING BEAD PROFILE / CAM ÇİTA PROFİLİ

PROFILE CODE	Weight (kg/mt)
WT 60 P 1050	0,351 kg/mt

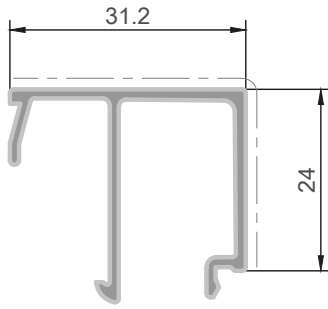
Die number : 9048



GLAZING BEAD PROFILE / CAM ÇİTA PROFİLİ

PROFILE CODE	Weight (kg/mt)
WT 60 P 1052	0,373 kg/mt

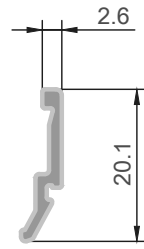
Die number : 9050



GLAZING BEAD PROFILE / CAM ÇİTA PROFİLİ

PROFILE CODE	Weight (kg/mt)
WT 60 P 1057	0,112 kg/mt

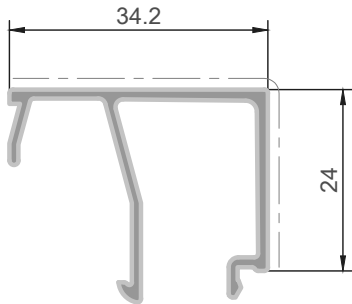
Die number : 10742 (15-3400)



GLAZING BEAD PROFILE / CAM ÇİTA PROFİLİ

PROFILE CODE	Weight (kg/mt)
WT 60 P 1053	0,385 kg/mt

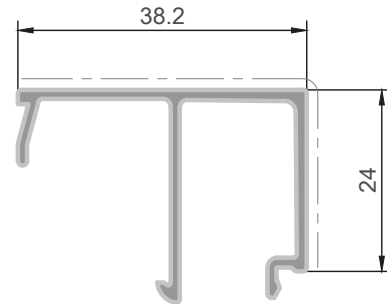
Die number : 9049



GLAZING BEAD PROFILE / CAM ÇİTA PROFİLİ

PROFILE CODE	Weight (kg/mt)
WT 60 P 1054	0,398 kg/mt

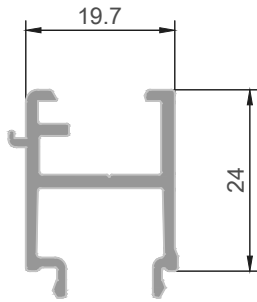
Die number : 9071



GLAZING BEAD PROFILE / CAM ÇİTA PROFİLİ

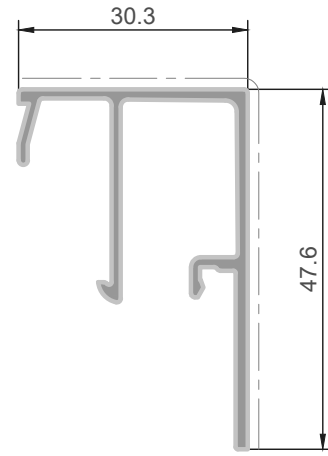
PROFILE CODE	Weight (kg/mt)
WT 60 P 1058	0,404 kg/mt

Die number : 10743



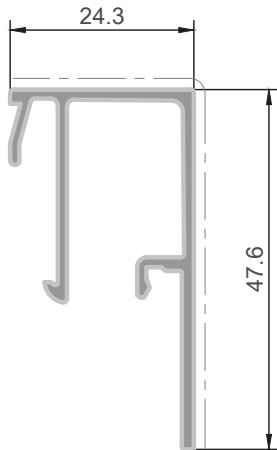
GLAZING BEAD PROFILE / CAM ÇİTA PROFİLİ

PROFILE CODE	Weight (kg/mt)
WT 60 P 1060	0,491 kg/mt



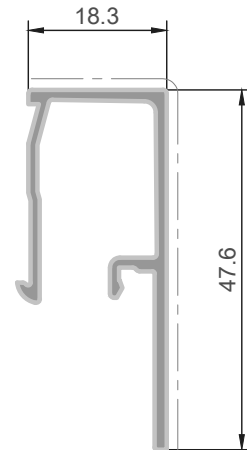
GLAZING BEAD PROFILE / CAM ÇİTA PROFİLİ

PROFILE CODE	Weight (kg/mt)
WT 60 P 1061	0,470 kg/mt



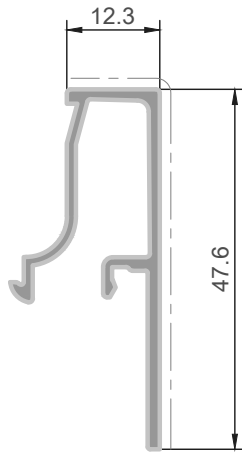
GLAZING BEAD PROFILE / CAM ÇİTA PROFİLİ

PROFILE CODE	Weight (kg/mt)
WT 60 P 1062	0,418 kg/mt



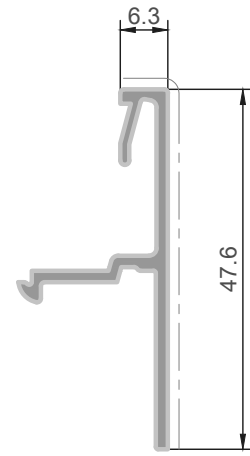
GLAZING BEAD PROFILE / CAM ÇİTA PROFİLİ

PROFILE CODE	Weight (kg/mt)
WT 60 P 1063	0,404 kg/mt



GLAZING BEAD PROFILE / CAM ÇİTA PROFİLİ

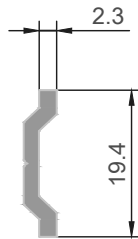
PROFILE CODE	Weight (kg/mt)
WT 60 P 1064	0,362 kg/mt



ROD PROFILE / TİJ PROFİLİ

PROFILE CODE	Weight (kg/mt)
WT 60 P 1065	0,123 kg/mt

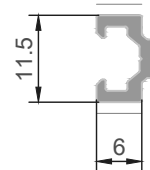
Die number : 877



ADAPTEUR PROFILE / ADAPTÖR PROFİLİ

PROFILE CODE	Weight (kg/mt)
WT 60 P 1068	0,110 kg/mt

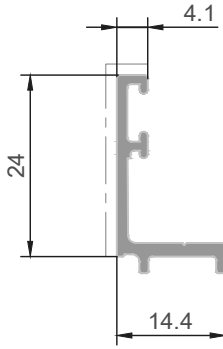
Die number : K894



ADAPTER PROFILE / ADAPTÖR PROFİLİ

PROFILE CODE	Weight (kg/mt)
WT 60 P 1071	0,210 kg/mt

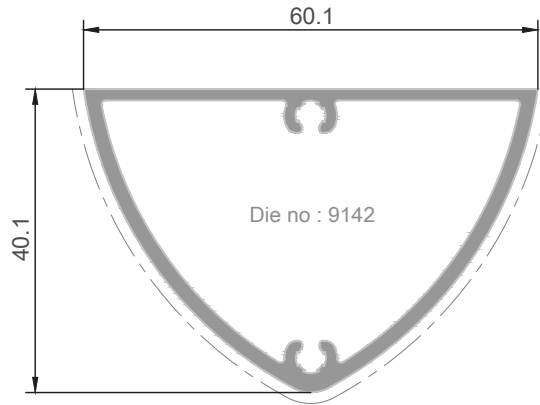
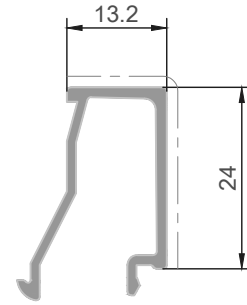
Die number : 9138



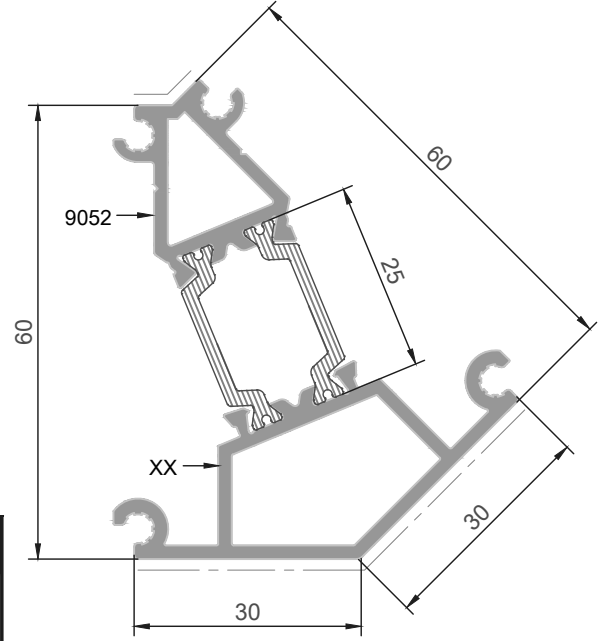
GLAZING BEAD PROFILE / CAM ÇİTA PROFİLİ

PROFILE CODE	Weight (kg/mt)
WT 60 P 1100	0,279 kg/mt

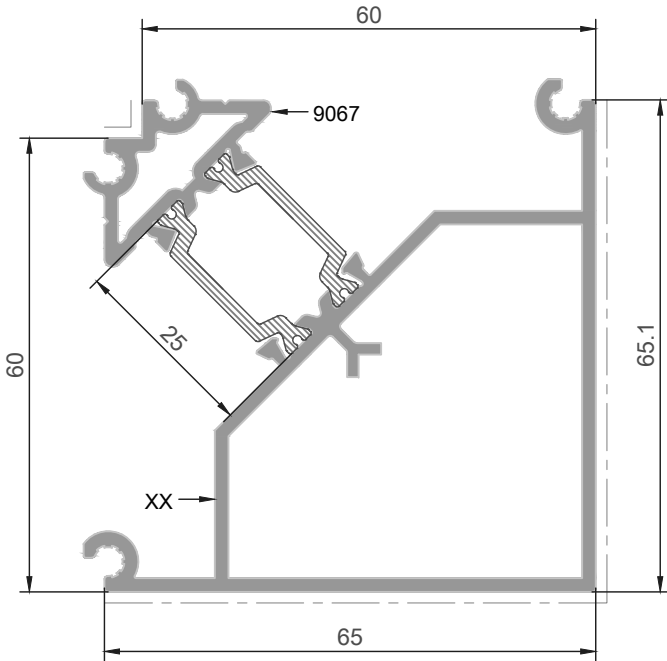
Die number : 9046



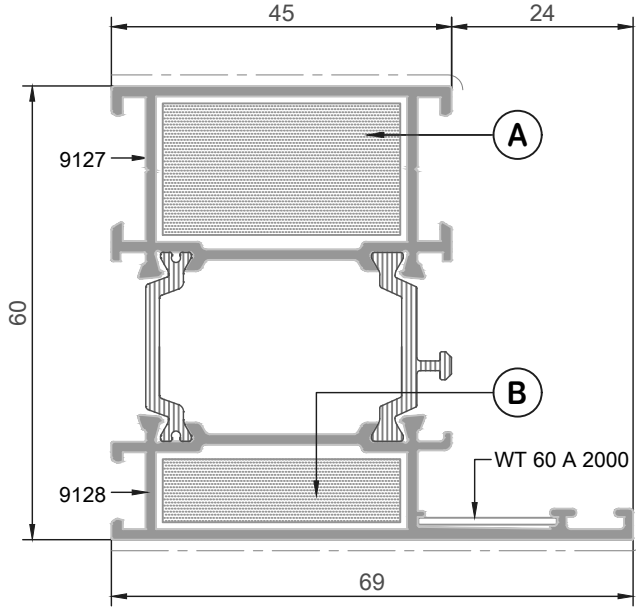
STATICAL VALUE		PROFILE CODE	Weight (kg/mt)
Jxx (cm ⁴)	Jyy (cm ⁴)	WT 60 P 1096	0,916 kg/mt
6,12	9,74		



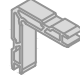
STATICAL VALUE		PROFILE CODE	Weight (kg/mt)
Jxx (cm ⁴)	Jyy (cm ⁴)	WT 60 P 1094	1,436 kg/mt
12,88	8,61		

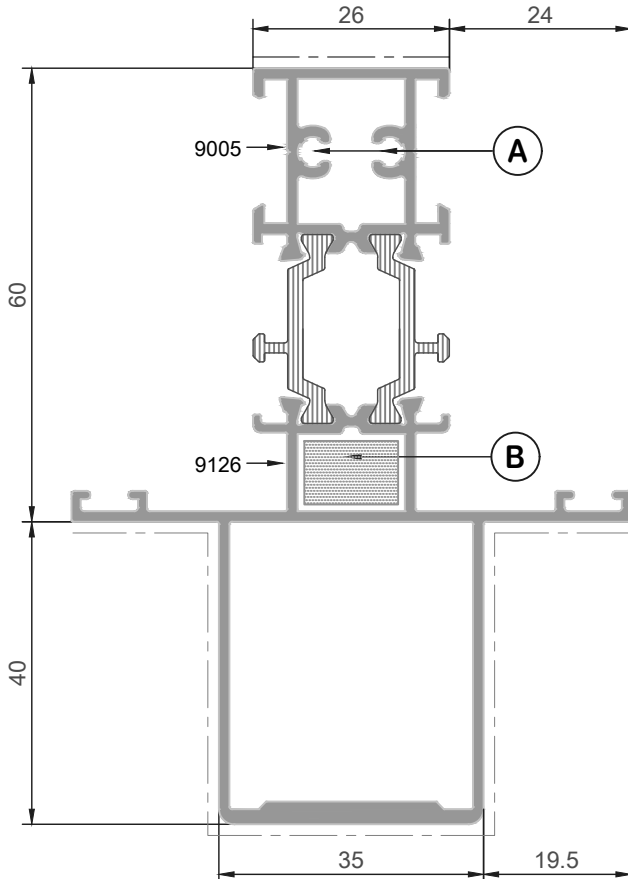


STATICAL VALUE		PROFILE CODE	Weight (kg/mt)
Jxx (cm ⁴)	Jyy (cm ⁴)	WT 60 P 1093	2,074 kg/mt
24,37	32,48		




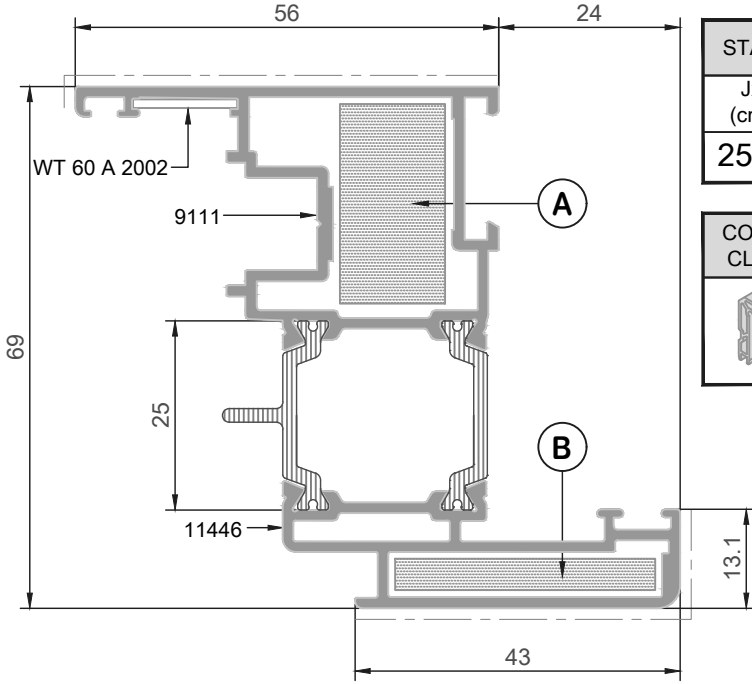
STATICAL VALUE		PROFILE CODE	Weight (kg/mt)
Jxx (cm ⁴)	Jyy (cm ⁴)	WT 60 P 1101	1,481 kg/mt
16,38	14,43		

CORNER CLEATS	A	B
	WT 60 A 2082 Lenght:18,8mm	WT 60 A 2083 Lenght:9,8mm

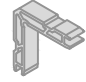


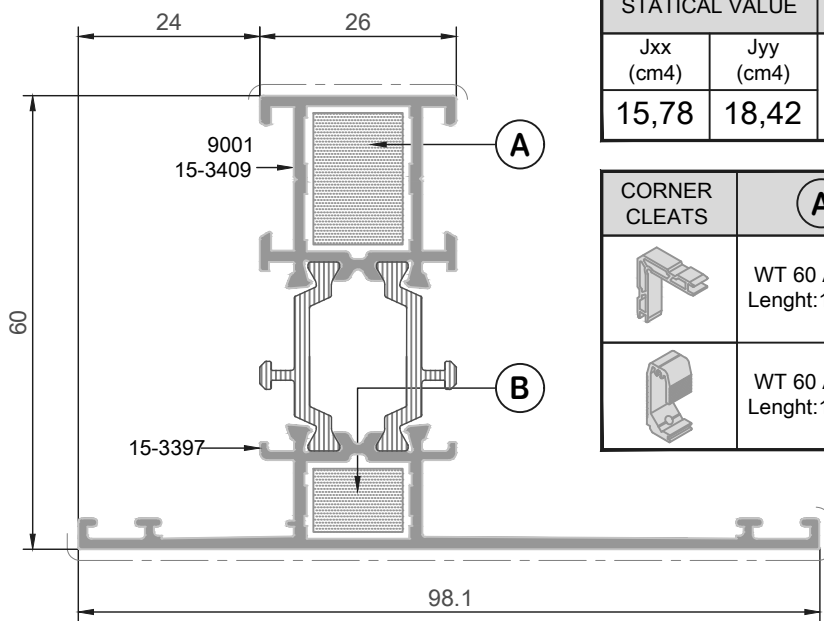
STATICAL VALUE		PROFILE CODE	Weight (kg/mt)
Jxx (cm ⁴)	Jyy (cm ⁴)	WT 60 P 1102	1,947 kg/mt
46,85	12,36		

CORNER CLEATS	A	B
	2x3,9mm INOX SCREW	WT 60 A 2011 Lenght:13,2mm





STATICAL VALUE		PROFILE CODE	Weight (kg/mt)
Jxx (cm ⁴)	Jyy (cm ⁴)	WT 60 P 1103	1,521 kg/mt
25,25	17,34		

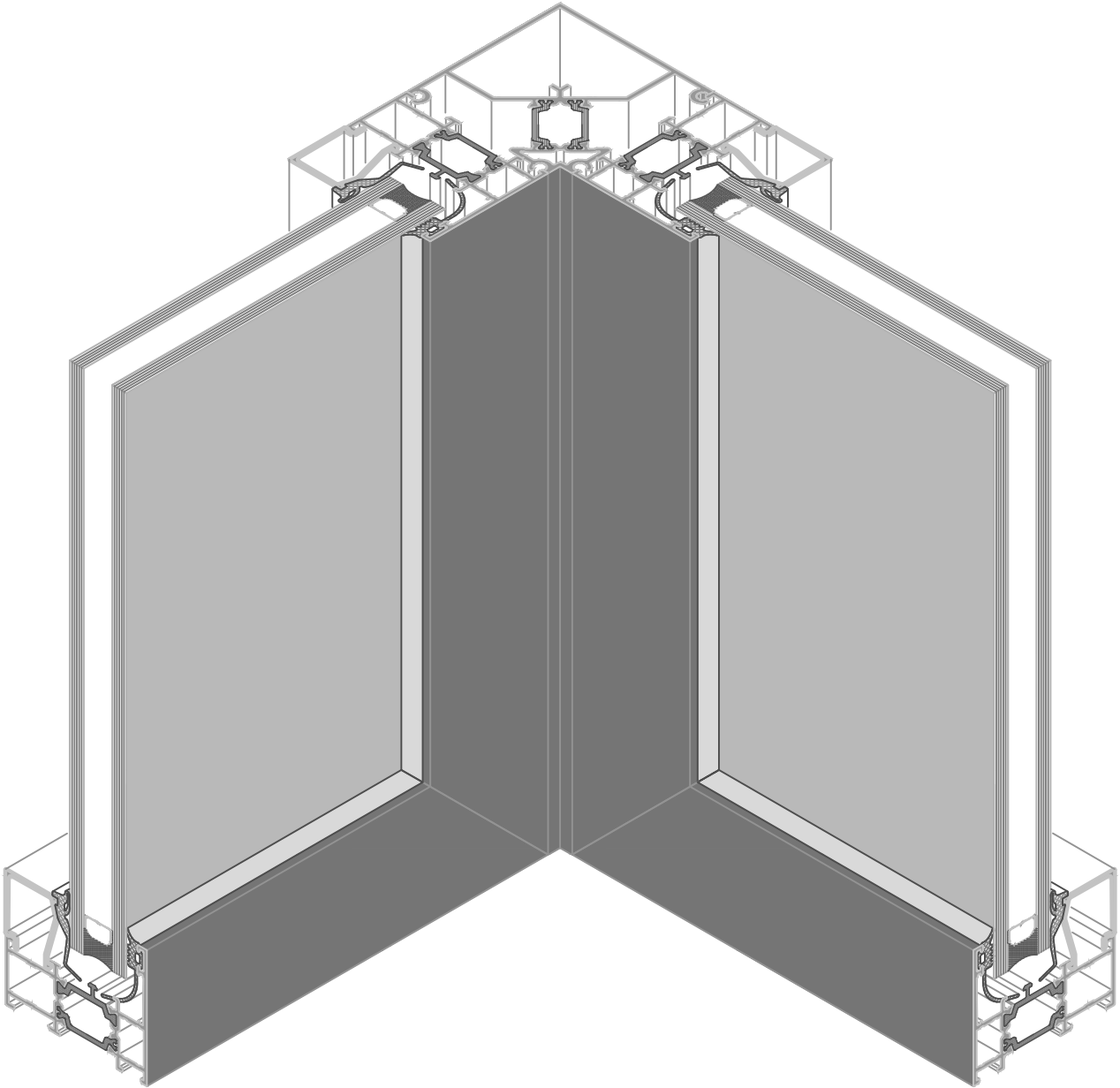
CORNER CLEATS	A	B
	WT 60 A 2024 Lenght:27,8mm	WT 60 A 2084 Lenght:5,5mm

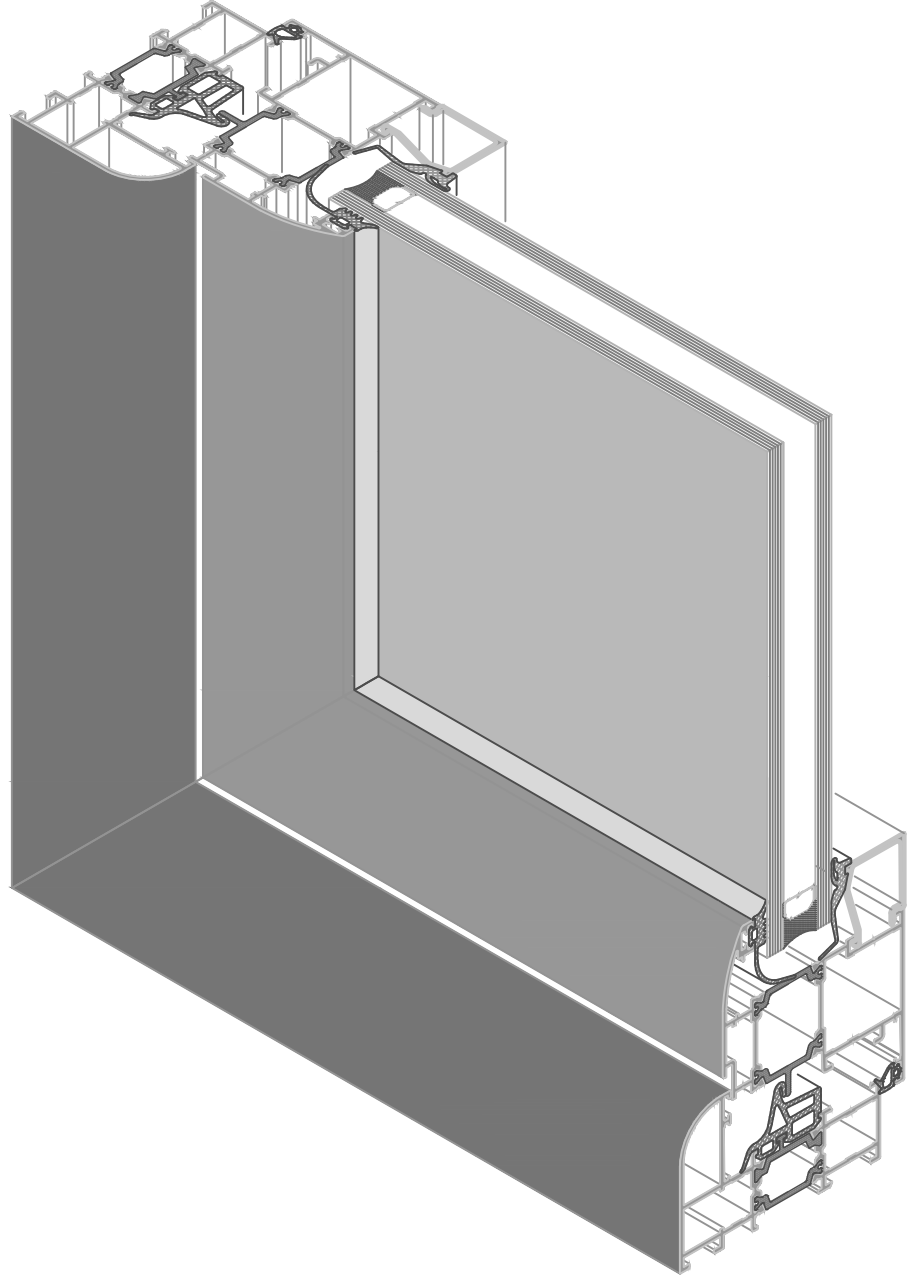


STATICAL VALUE		PROFILE CODE	Weight (kg/mt)
Jxx (cm ⁴)	Jyy (cm ⁴)	WT 60 P 1105	1,366 kg/mt
15,78	18,42		

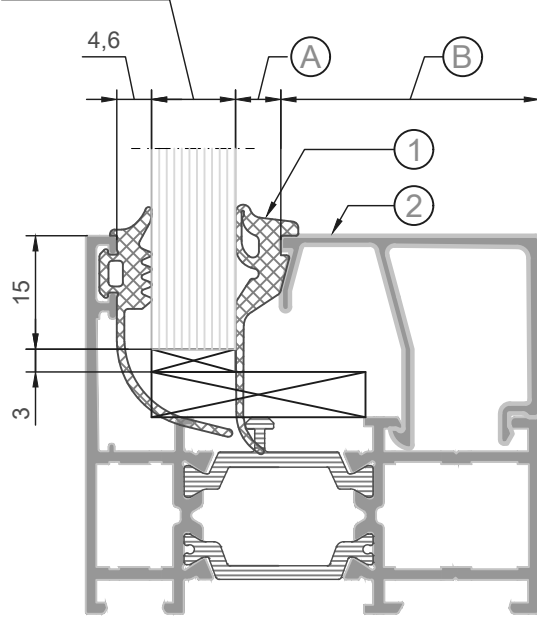
CORNER CLEATS	A	B
	WT 60 A 2004 Lenght:18,8mm	WT 60 A 2005 Lenght:9,8mm
	WT 60 A 2010 Lenght:13,2mm	WT 60 A 2080 Lenght:13,2mm

**WT 60 WINDOWS and
DOORS SYSTEM
GLASS and GLAZING BEAD
DIAGRAMS**





glass thickness
cam kalınlığı

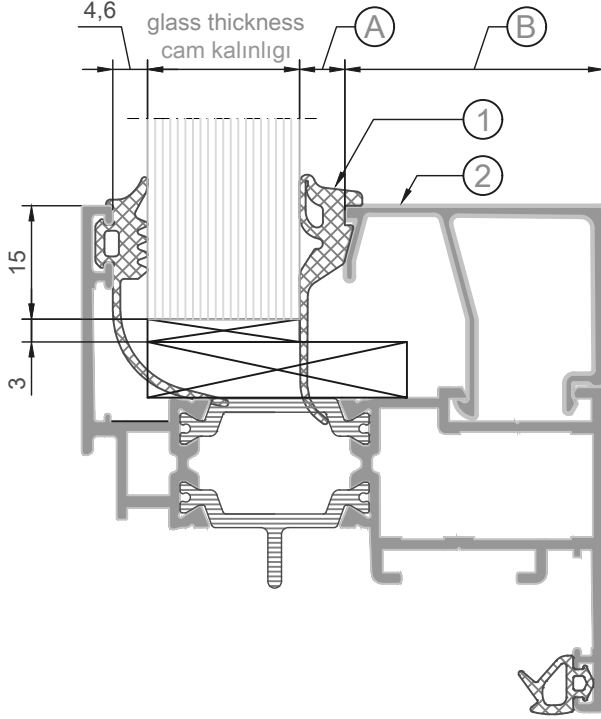


EXTERIOR GASKET DIŞ CAM CONTASI		INTERIOR GASKET İÇ CAM CONTASI	
WT60 G 3008	WT60 G 3000	WT60 G 3001	WT60 G 3004
		Gap :6-7mm boşluk : 6-7mm	
INTERIOR GASKET İÇ CAM CONTASI		INTERIOR GASKET İÇ CAM CONTASI	
WT60 G 3003	WT60 G 3006	WT60 G 3002	WT60 G 3005
Gap :8-9mm boşluk : 8-9mm		Gap :10mm boşluk : 10mm	
Gap :4mm boşluk : 4mm		INTERIOR GASKET İÇ CAM CONTASI	
		WT60 G 3020	

GLASS THICKNESS CAM KALINLIĞI	GASKET CONTA		GLAZING BEAD CAM ÇITASI	
	GAP BOŞLUK	CODE KOD	LENGTH ÖLÇÜ	CODE KOD
	(A)	(1)	(B)	(2)
10mm	10mm	WT60 G 3006	31,2mm	WT60 P 1052
12mm	8mm	WT60 G 3005	31,2mm	WT60 P 1052
14mm	6mm	WT60 G 3004	31,2mm	WT60 P 1052
16mm	4mm	WT60 G 3020	31,2mm	WT60 P 1052
18mm	8mm	WT60 G 3005	24,9mm	WT60 P 1050
20mm	6mm	WT60 G 3004	24,9mm	WT60 P 1050
22mm	8mm	WT60 G 3005	22,2mm	WT60 P 1049
24mm	6mm	WT60 G 3004	22,2mm	WT60 P 1049
26mm	10mm	WT60 G 3006	16,2mm	WT60 P 1047
28mm	8mm	WT60 G 3005	16,2mm	WT60 P 1047
30mm	8mm	WT60 G 3005	13,2mm	WT60 P 1100
32mm	6mm	WT60 G 3004	13,2mm	WT60 P 1100
34mm	4mm	WT60 G 3020	13,2mm	WT60 P 1100
36mm	8mm	WT60 G 3005	7,2mm	WT60 P 1044
38mm	6mm	WT60 G 3004	7,2mm	WT60 P 1044
40mm	4mm	WT60 G 3020	7,2mm	WT60 P 1044

selection tables promise a first planning.
Please keep the glass and gasket tolerances in mind.
Yukarıda tablodaki veriler teoriktir.
Lütfen cam ve conta toleranslarını dikkate alınız.

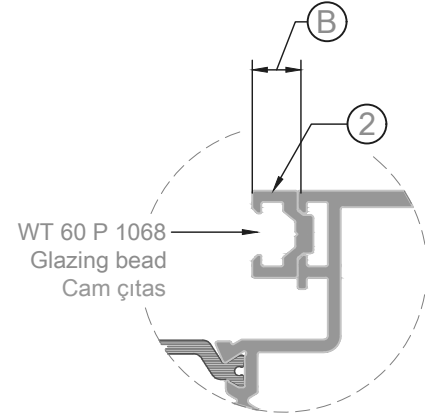
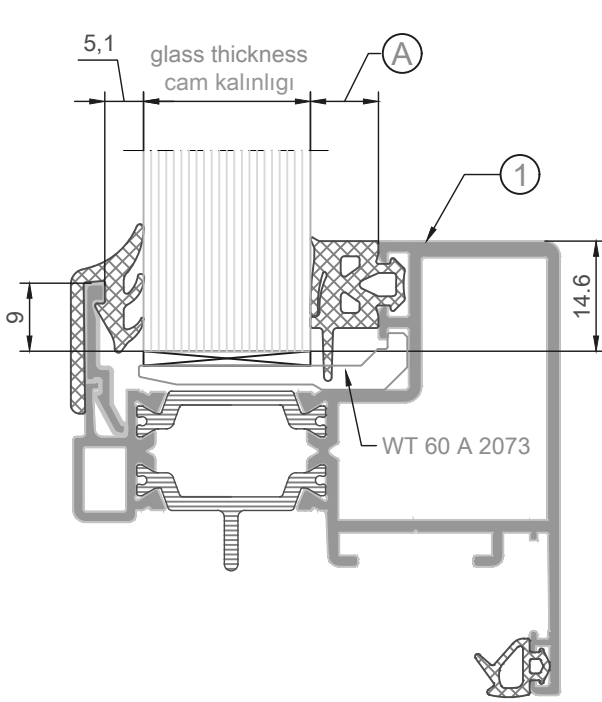
Sipariş miktarı minimum 300 kg dir. / Minimum order quantity 300 kg
Uyarı: Profil ağırlıklarımız teorik olup ; teslim anındaki tartımız geçerlidir. / Warning: The weights of profile is theoretical, weighting at the time of delivery are valid



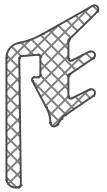






EXTERIOR GASKET DIŞ CAM CONTASI		INTERIOR GASKET İÇ CAM CONTASI	
WT60 G 3004	WT60 G 3000	WT60 G 3001	WT60 G 3004
		Gap :6-7mm boşluk : 6-7mm	
INTERIOR GASKET İÇ CAM CONTASI		INTERIOR GASKET İÇ CAM CONTASI	
WT60 G 3003	WT60 G 3006	WT60 G 3002	WT60 G 3005
Gap :8-9mm boşluk : 8-9mm		Gap :10mm boşluk : 10mm	
Gap :4mm boşluk : 4mm		INTERIOR GASKET İÇ CAM CONTASI	
		WT60 G 3020	

selection tables promise a first planning.
Please keep the glass and gasket tolerances in mind.
Yukarıda tablodaki veriler teoriktir.
Lütfen cam ve conta toleranslarını dikkate alınız.

GLASS THICKNESS CAM KALINLIĞI	GASKET CONTA		GLAZING BEAD CAM ÇITASI	
	GAP BOŞLUK	CODE KOD	LENGTH ÖLÇÜ	CODE KOD
	(A)	(1)	(B)	(2)
12mm	10mm	WT60 G 3006	38,2mm	WT60 P 1054
14mm	8mm	WT60 G 3005	38,2mm	WT60 P 1054
16mm	6mm	WT60 G 3004	38,2mm	WT60 P 1054
18mm	8mm	WT60 G 3005	34,2mm	WT60 P 1053
20mm	6mm	WT60 G 3004	34,2mm	WT60 P 1053
22mm	4mm	WT60 G 3020	34,2mm	WT60 P 1053
24mm	6mm	WT60 G 3004	31,2mm	WT60 P 1052
26mm	10mm	WT60 G 3006	24,9mm	WT60 P 1050
28mm	8mm	WT60 G 3005	24,9mm	WT60 P 1050
30mm	6mm	WT60 G 3004	24,9mm	WT60 P 1050
32mm	6mm	WT60 G 3004	22,2mm	WT60 P 1049
34mm	4mm	WT60 G 3020	22,2mm	WT60 P 1049
36mm	8mm	WT60 G 3005	16,2mm	WT60 P 1047
38mm	6mm	WT60 G 3004	16,2mm	WT60 P 1047
40mm	4mm	WT60 G 3020	16,2mm	WT60 P 1047
42mm	6mm	WT60 G 3004	13,2mm	WT60 P 1100
44mm	10mm	WT60 G 3006	7,2mm	WT60 P 1044
46mm	8mm	WT60 G 3005	7,2mm	WT60 P 1044
48mm	6mm	WT60 G 3004	7,2mm	WT60 P 1044

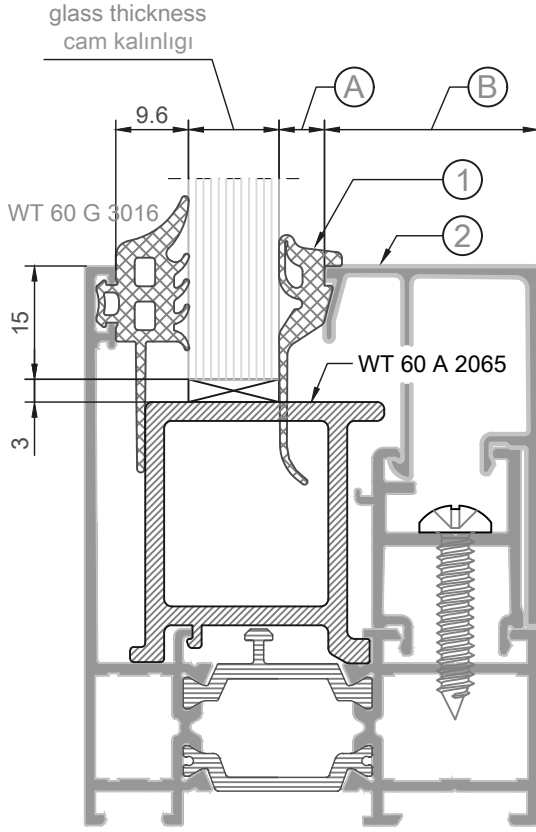


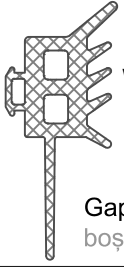

* WHEN REQUESTED
12-14-16mm GLASS THICKNESS
TO USE WT60 P 1068 PROFILE
12-14-16mm CAM YAPILMASI DURUMUNDA
WT60 P 1068 ÇITA PROFİLİ KULLANILMALIDIR


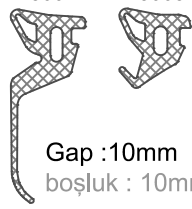
EXTERIOR GASKET DIŞ CAM CONTASI	INTERIOR GASKET İÇ CAM CONTASI
 <p>WT60 G 3015</p> <p>Gap : 5mm boşluk : 5mm</p>	 <p>WT60 G 3013</p> <p>Gap : 13mm boşluk : 13mm</p>
	 <p>WT60 G 3011</p> <p>Gap : 11mm boşluk : 11mm</p>
	 <p>WT60 G 3019</p> <p>Gap : 9mm boşluk : 9mm</p>
	 <p>WT60 G 3014</p> <p>Gap : 7mm boşluk : 7mm</p>
	 <p>WT60 G 3012</p> <p>Gap : 5mm boşluk : 5mm</p>
	 <p>WT60 G 3010</p> <p>Gap : 3mm boşluk : 3mm</p>

GLASS THICKNESS CAM KALINLIĞI	GASKET CONTA		GLAZING BEAD CAM ÇITASI	
	GAP BOŞLUK	CODE KOD	LENGTH ÖLÇÜ	CODE KOD
	(A)	(1)	(B)	(2)
* 12mm	13mm	WT60 G 3013	6mm	WT60 P 1068
* 14mm	11mm	WT60 G 3011	6mm	WT60 P 1068
* 16mm	9mm	WT60 G 3009	6mm	WT60 P 1068
18mm	13mm	WT60 G 3013		
20mm	11mm	WT60 G 3011		
22mm	9mm	WT60 G 3009		
24mm	7mm	WT60 G 3014		
26mm	5mm	WT60 G 3012		
28mm	3mm	WT60 G 3010		

selection tables promise a first planning.
Please keep the glass and gasket tolerances in mind.
Yukarıda tablodaki veriler teoriktir.
Lütfen cam ve conta toleranslarını dikkate alınız.



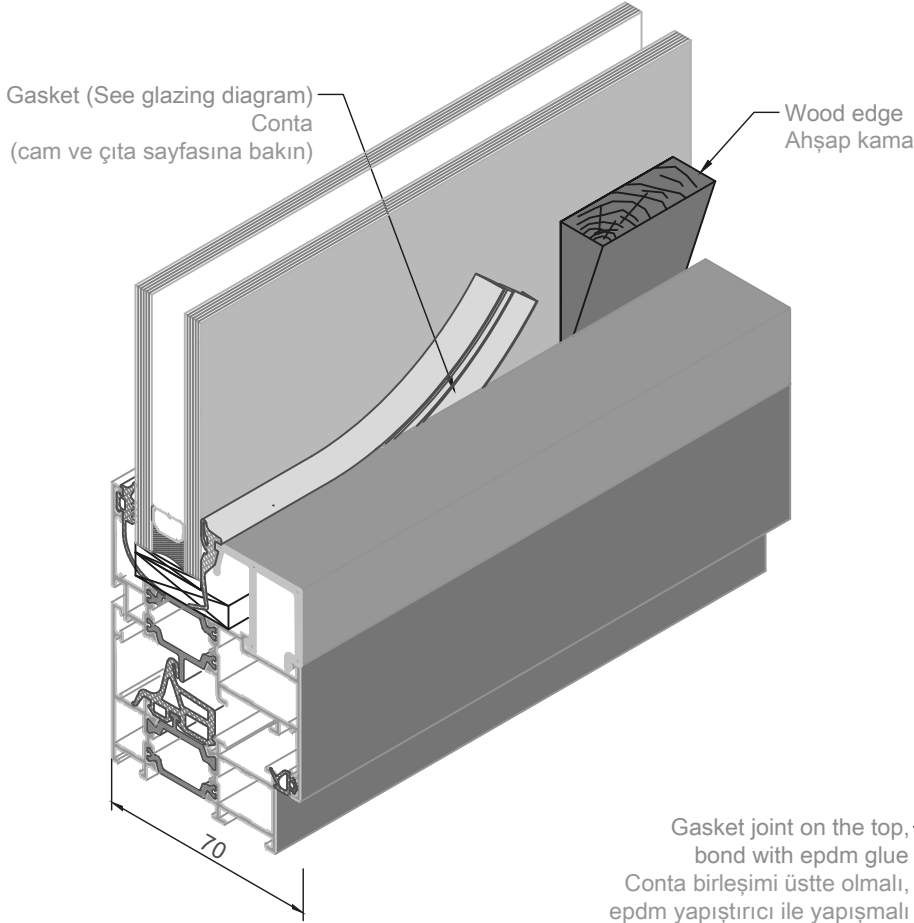
EXTERIOR GASKET DIŞ CAM CONTASI	INTERIOR GASKET İÇ CAM CONTASI
 <p>WT 60 G 3016</p> <p>Gap :10mm boşluk : 10mm</p>	 <p>WT 60 G 3001 WT 60 G 3004</p> <p>Gap :6-7mm boşluk : 6-7mm</p>

INTERIOR GASKET İÇ CAM CONTASI	INTERIOR GASKET İÇ CAM CONTASI
 <p>WT 60 G 3003 WT 60 G 3006</p> <p>Gap :8-9mm boşluk : 8-9mm</p>	 <p>WT 60 G 3002 WT 60 G 3005</p> <p>Gap :10mm boşluk : 10mm</p>

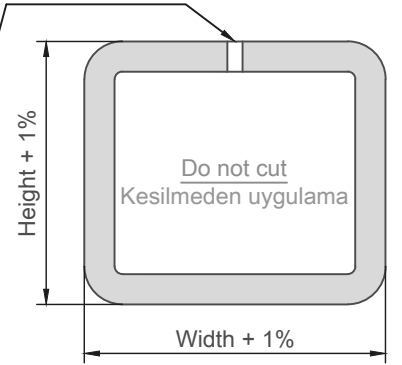
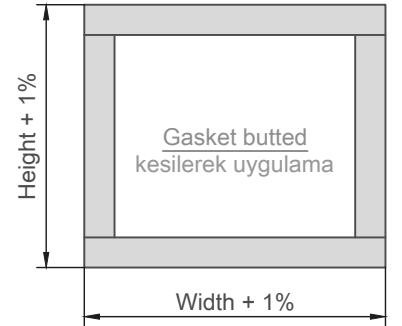
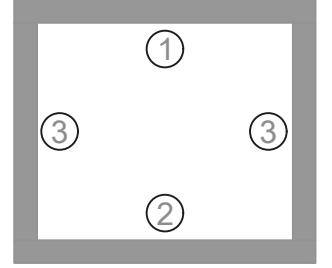
INTERIOR GASKET İÇ CAM CONTASI
 <p>WT 60 G 3020</p> <p>Gap :4mm boşluk : 4mm</p>

GLASS THICKNESS CAM KALINLIĞI	GASKET CONTA		GLAZING BEAD CAM ÇİTASI	
	GAP BOŞLUK	CODE KOD	LENGTH ÖLÇÜ	CODE KOD
	(A)	(1)	(B)	(2)
10mm	6mm	WT60 G 3004	30,3mm	WT60 P 1060
12mm	4mm	WT60 G 3020	30,3mm	WT60 P 1060
14mm	8mm	WT60 G 3005	24,3mm	WT60 P 1061
16mm	6mm	WT60 G 3004	24,3mm	WT60 P 1061
18mm	4mm	WT60 G 3020	24,3mm	WT60 P 1061
20mm	8mm	WT60 G 3005	18,3mm	WT60 P 1062
22mm	6mm	WT60 G 3004	18,3mm	WT60 P 1062
24mm	4mm	WT60 G 3020	18,3mm	WT60 P 1062
26mm	8mm	WT60 G 3005	12,3mm	WT60 P 1063
28mm	6mm	WT60 G 3004	12,3mm	WT60 P 1063
30mm	4mm	WT60 G 3020	12,3mm	WT60 P 1063
32mm	8mm	WT60 G 3005	6,3mm	WT60 P 1064
34mm	6mm	WT60 G 3004	6,3mm	WT60 P 1064
36mm	4mm	WT60 G 3020	6,3mm	WT60 P 1064

selection tables promise a first planning.
Please keep the glass and gasket tolerances in mind.
Yukarıda tablodaki veriler teoriktir.
Lütfen cam ve conta toleranslarını dikkate alınız.

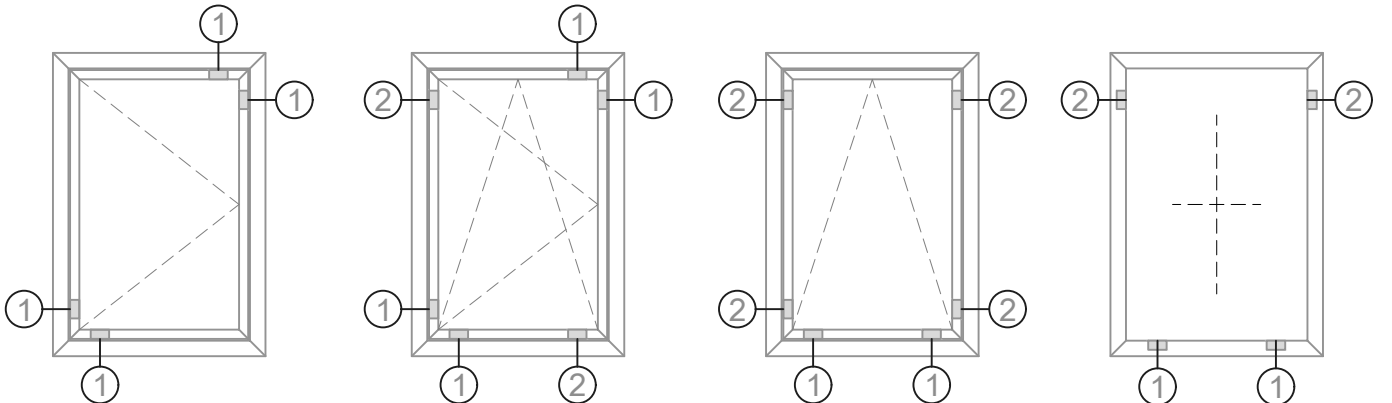


Glazing bead assembly sequence
Cam çıtası montaj sıralaması



Gasket joint on the top,
bond with epdm glue
Conta birleşimi üstte olmalı,
epdm yapıştırıcı ile yapışmalı

- ① GLASS CLEATS-The assembly of glass reinforcement pieces has been showed at the top schematically.The gap distance to the corner should be, the 5/1 or 10/1 of the sash size.
CAM TAKOZU-cam takozlari yerlesimi üstte bulunan sematik çizimde gösterilmiştir. takozların kenara mesafeleri kanat ölçüsünün 5/1 i yada 10/1 i kadar olmalıdır.
- ② DISTANCE ADJUSTMENT PIECE-Distance adjustment pieces stabilize the glass in the frame at the true position.Put the distance adjustment piece between glass and profile without using force.
MESAFE AYARLAMA TAKOZU-mesafe ayar takozlari camin alüminyum çerçeve içinde doğru pozisyonda stabil olarak durmasını sağlar.cam ile profil arasına takozlari zorlamadan yerleştiriniz.



The pane must be shimmed in the sash so that the sash operates without adjustment of the hardware
Donanım ayarı olmadan önce kanat takozlama işlemi yapılmalıdır.

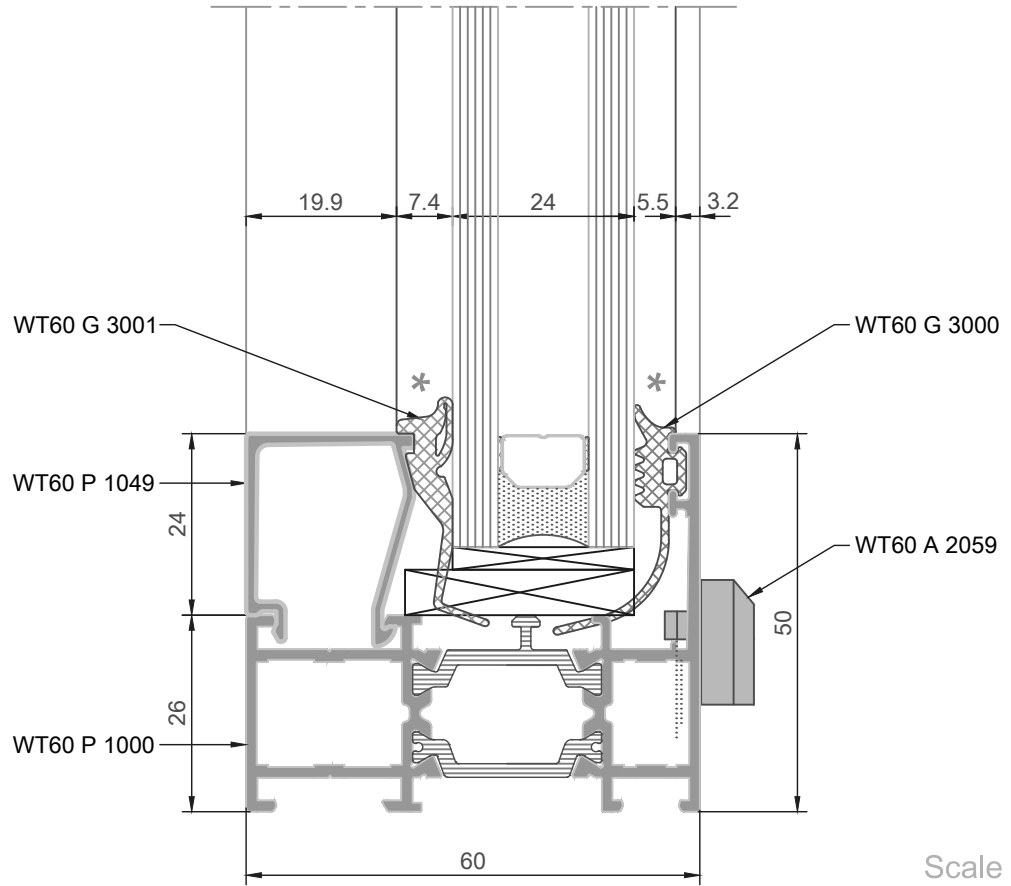
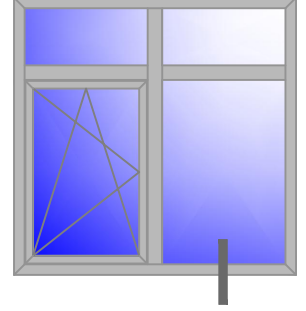
- ① Supporting shim
Taşıyıcı takoz
- ② Distance shim
Ayar takoz

Sipariş miktarı minimum 300 kg dir. / Minimum order quantity 300 kg
Uyarı: Profil ağırlıklarımız teorik olup ; teslim anındaki tartımız geçerlidir. / Warning: The weights of profile is theoretical, weighting at the time of delivery are valid

WT 60 WINDOWS and DOORS SYSTEM SERIES DETAILS

* see glazing beads table

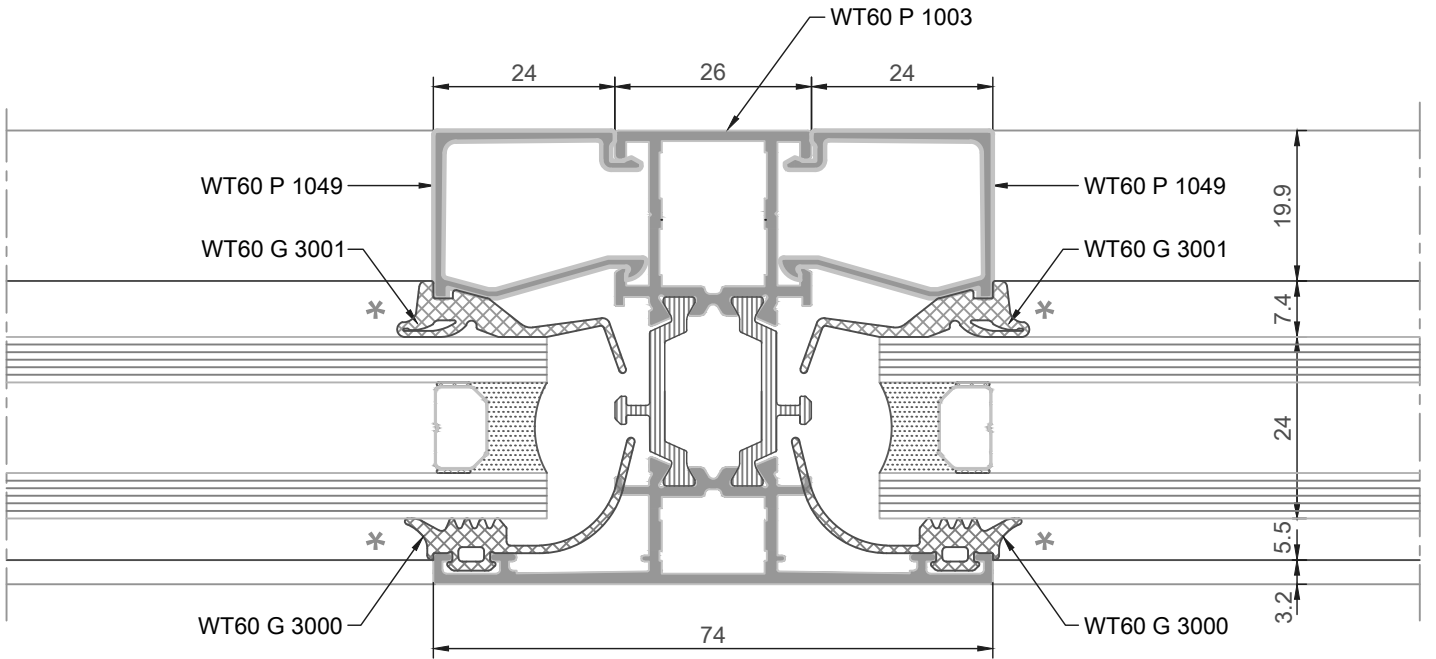
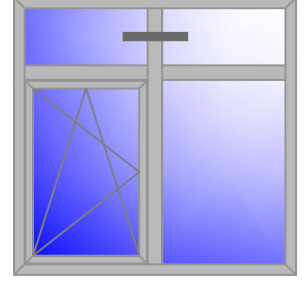
*cam kombinasyon sayfasına bakınız.



Scale 1:1
Ölçek 1:1

* see glazing beads table

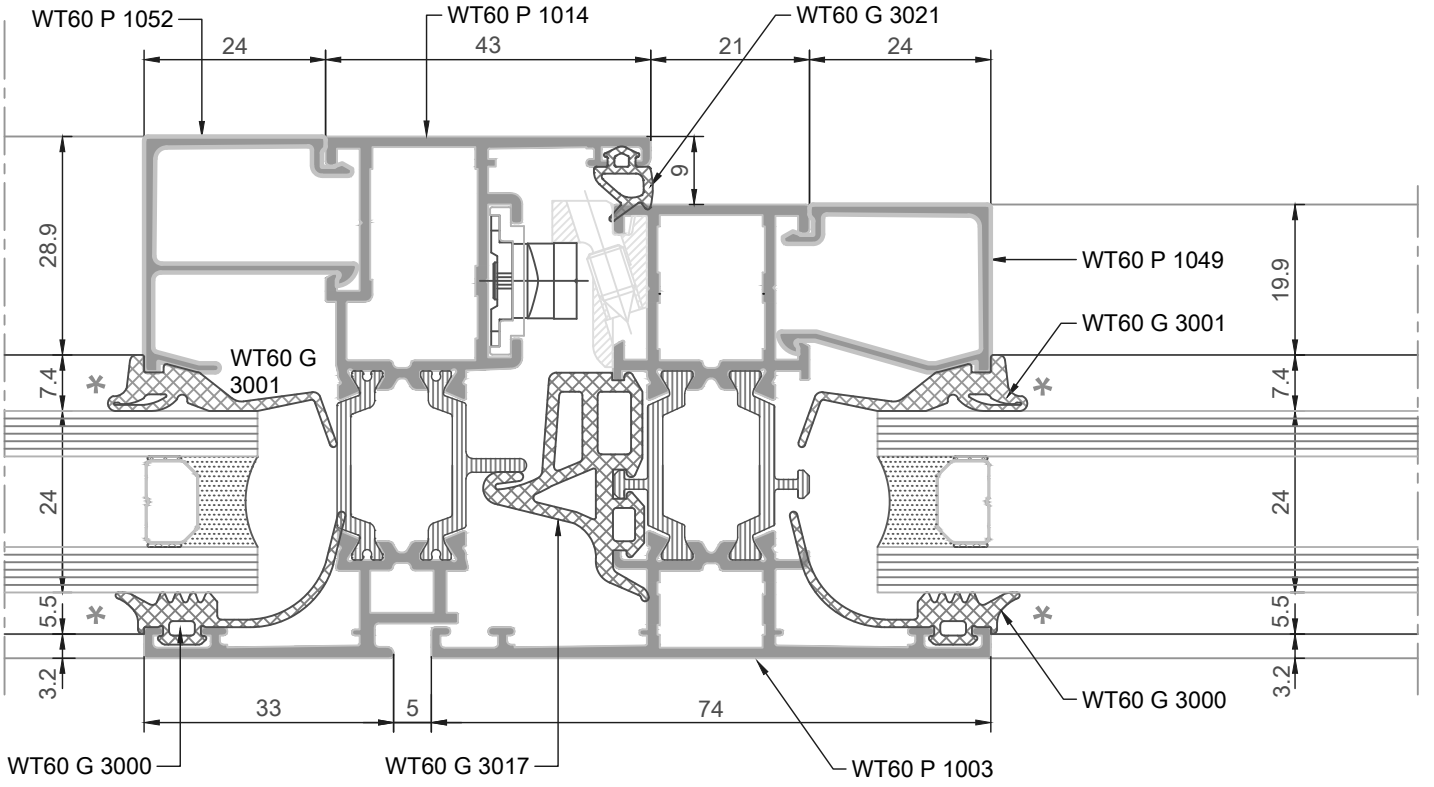
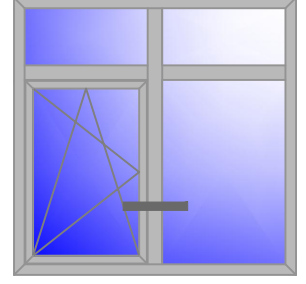
*cam kombinasyon sayfasına bakınız.



Scale 1:1
Ölçek 1:1

* see glazing beads table

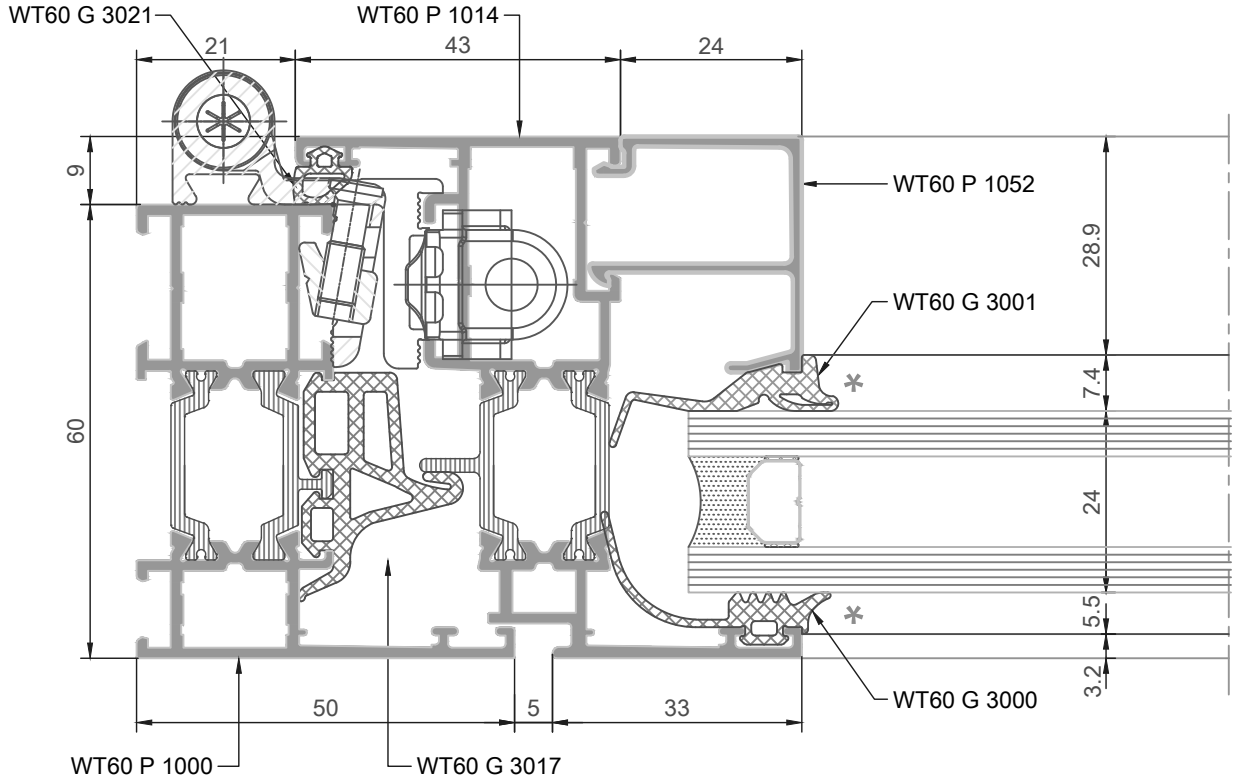
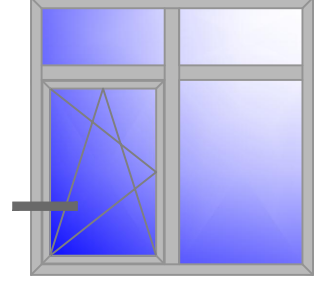
*cam kombinasyon sayfasına bakınız.



Scale 1:1
Ölçek 1:1

* see glazing beads table

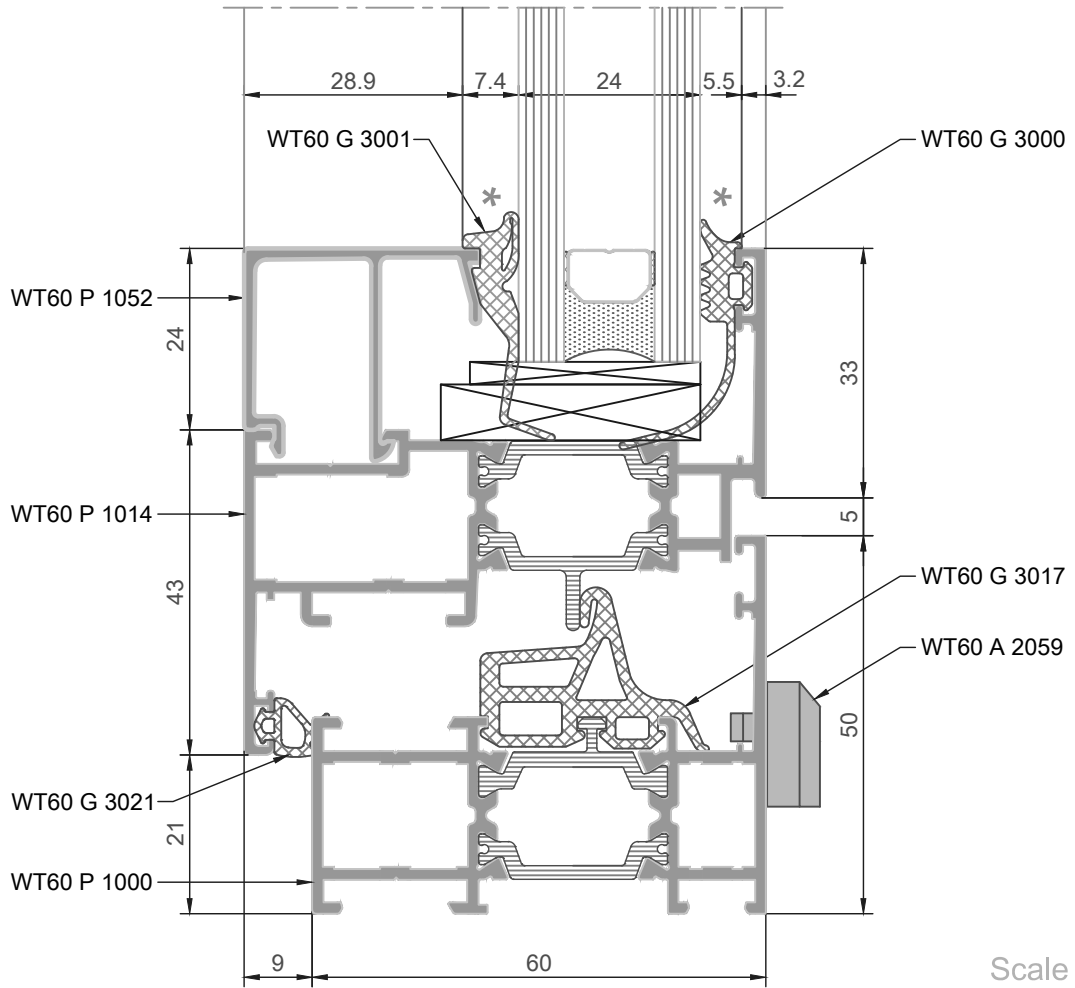
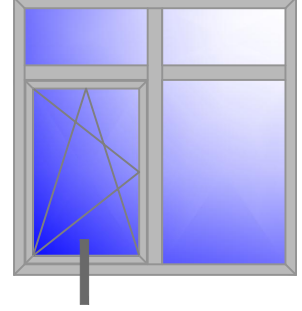
*cam kombinasyon sayfasına bakınız.



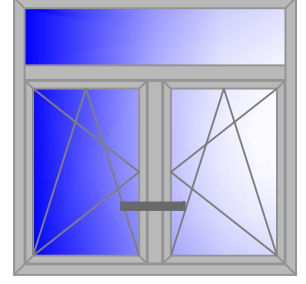
Scale 1:1
Ölçek 1:1

* see glazing beads table

*cam kombinasyon sayfasına bakınız.

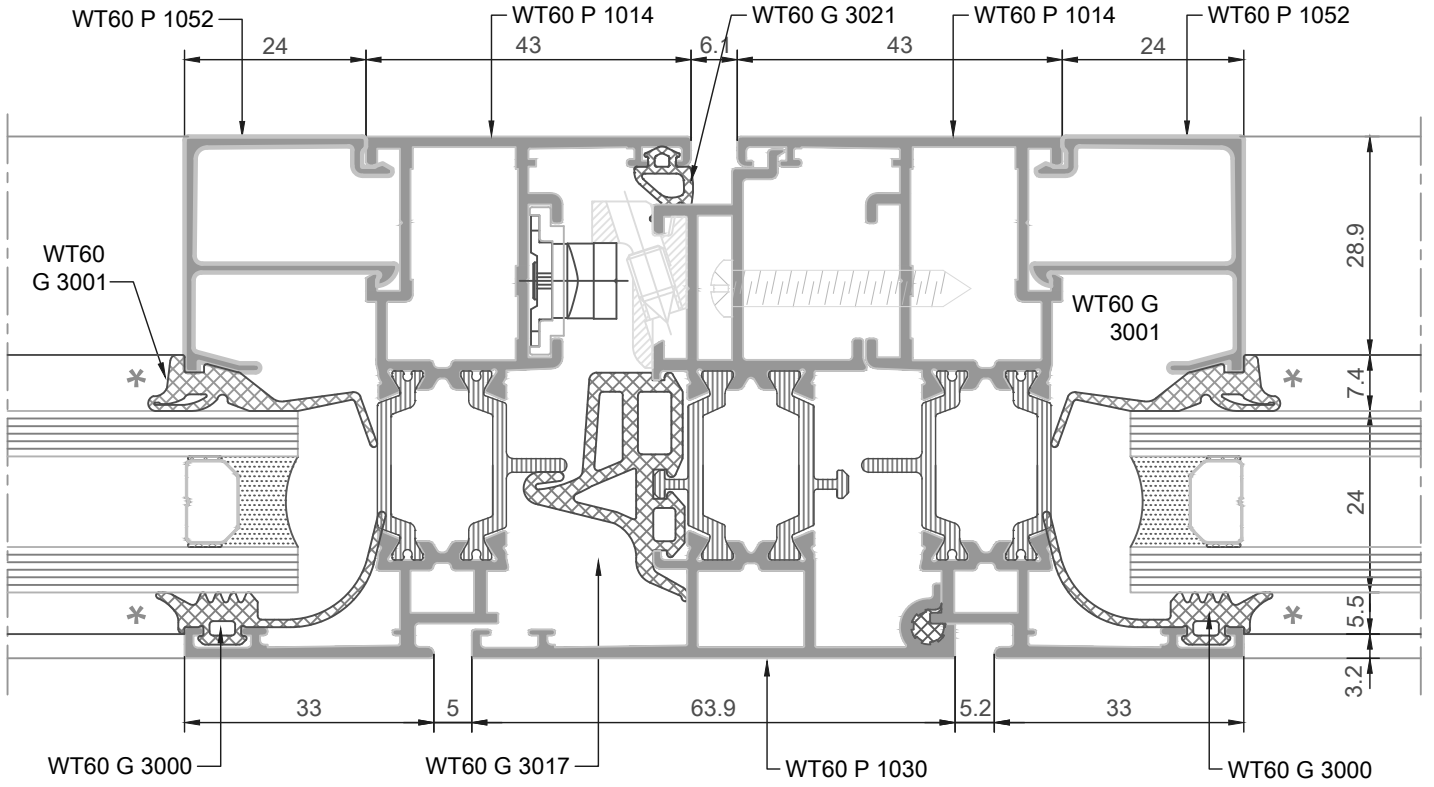


Scale 1:1
Ölçek 1:1



* see glazing beads table

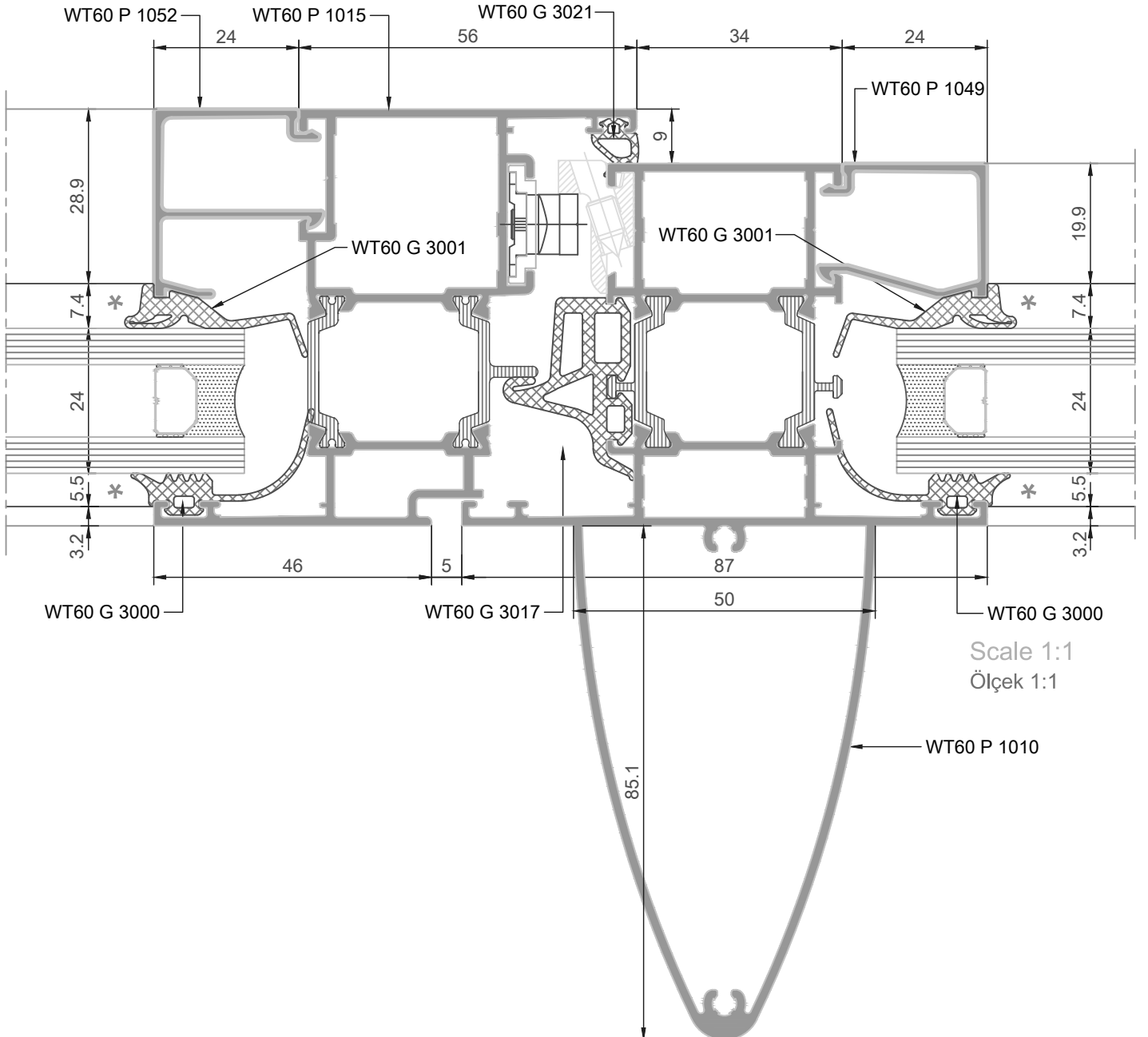
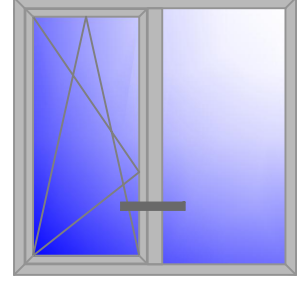
*cam kombinasyon sayfasına bakınız.



Scale 1:1
Ölçek 1:1

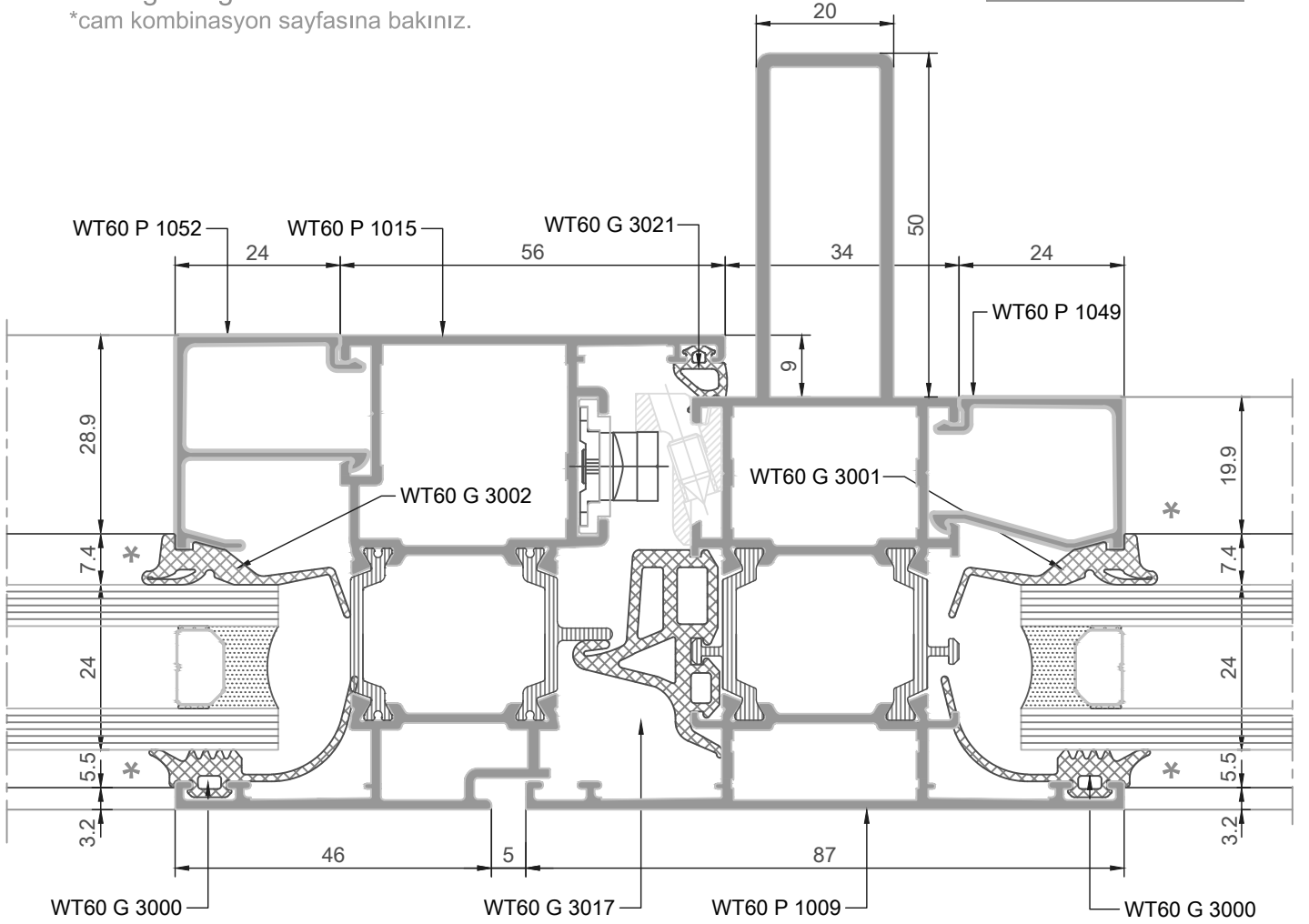
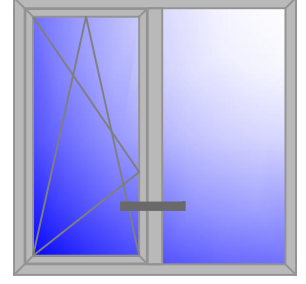
* see glazing beads table

*cam kombinasyon sayfasına bakınız.

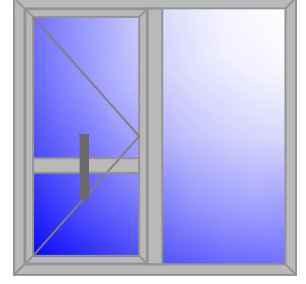


* see glazing beads table

*cam kombinasyon sayfasına bakınız.

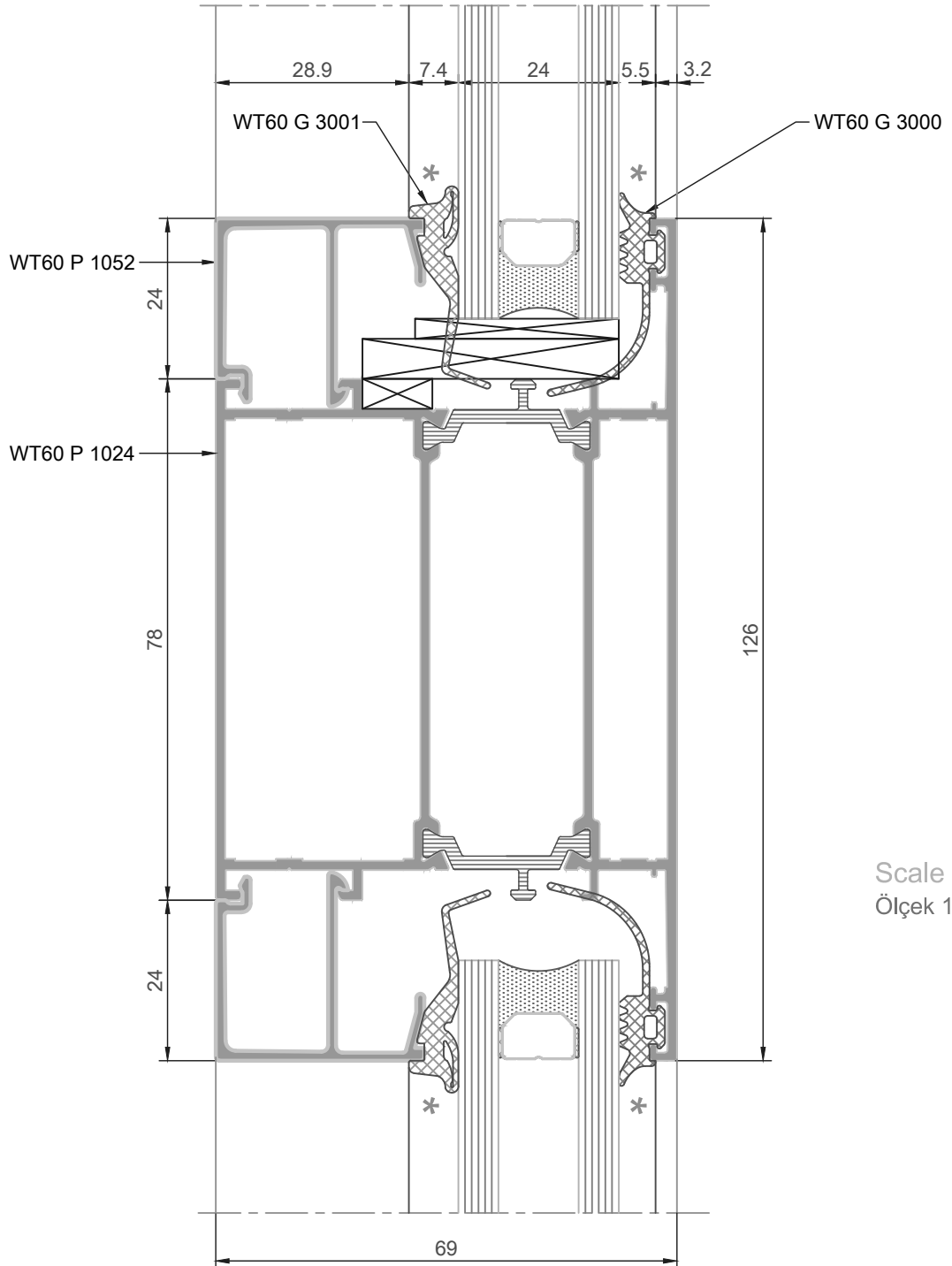


Scale 1:1
Ölçek 1:1



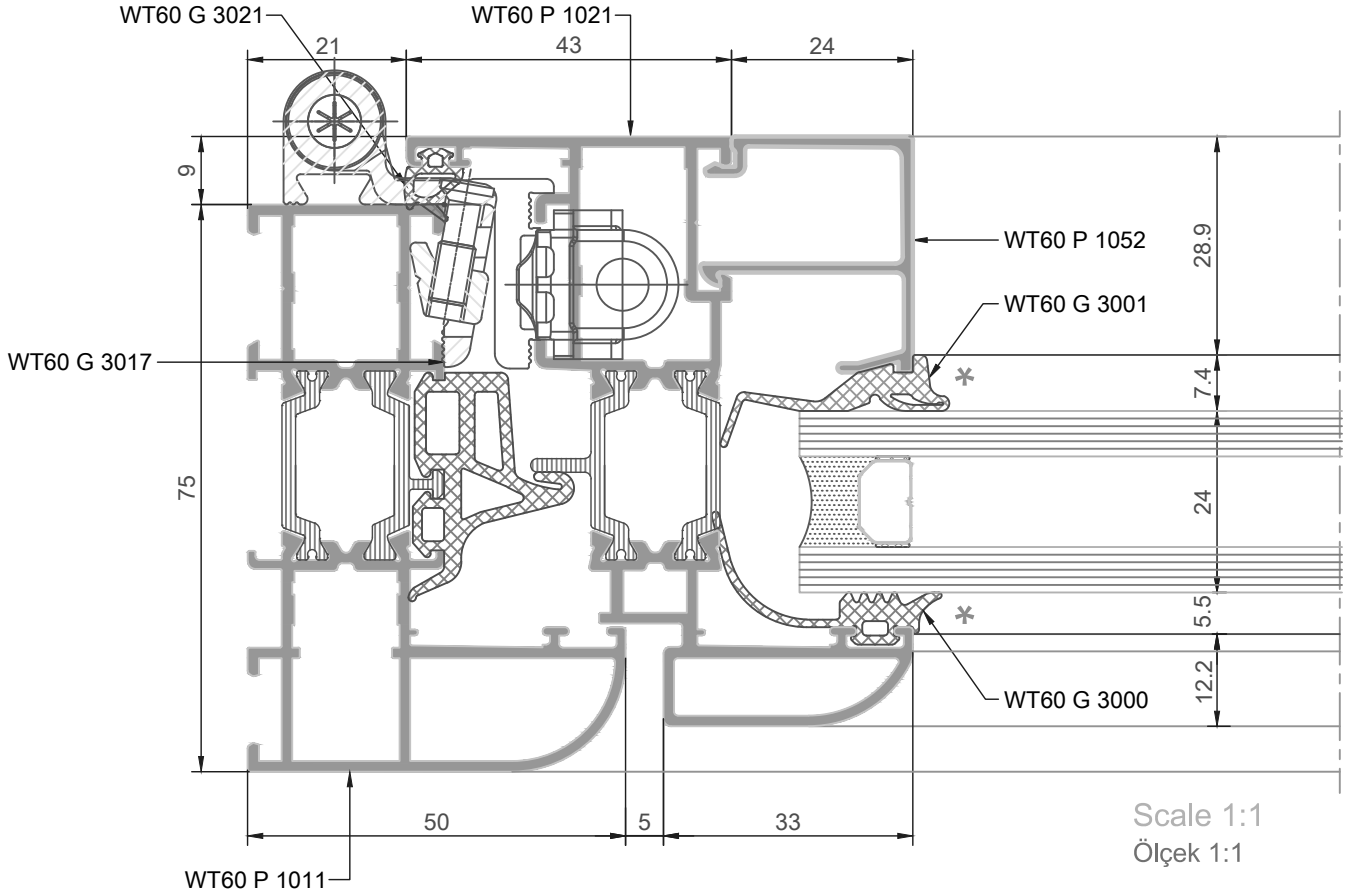
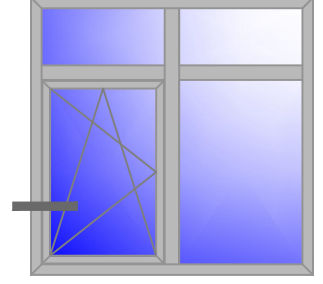
* see glazing beads table

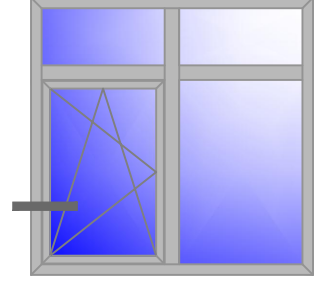
*cam kombinasyon sayfasına bakınız.



* see glazing beads table

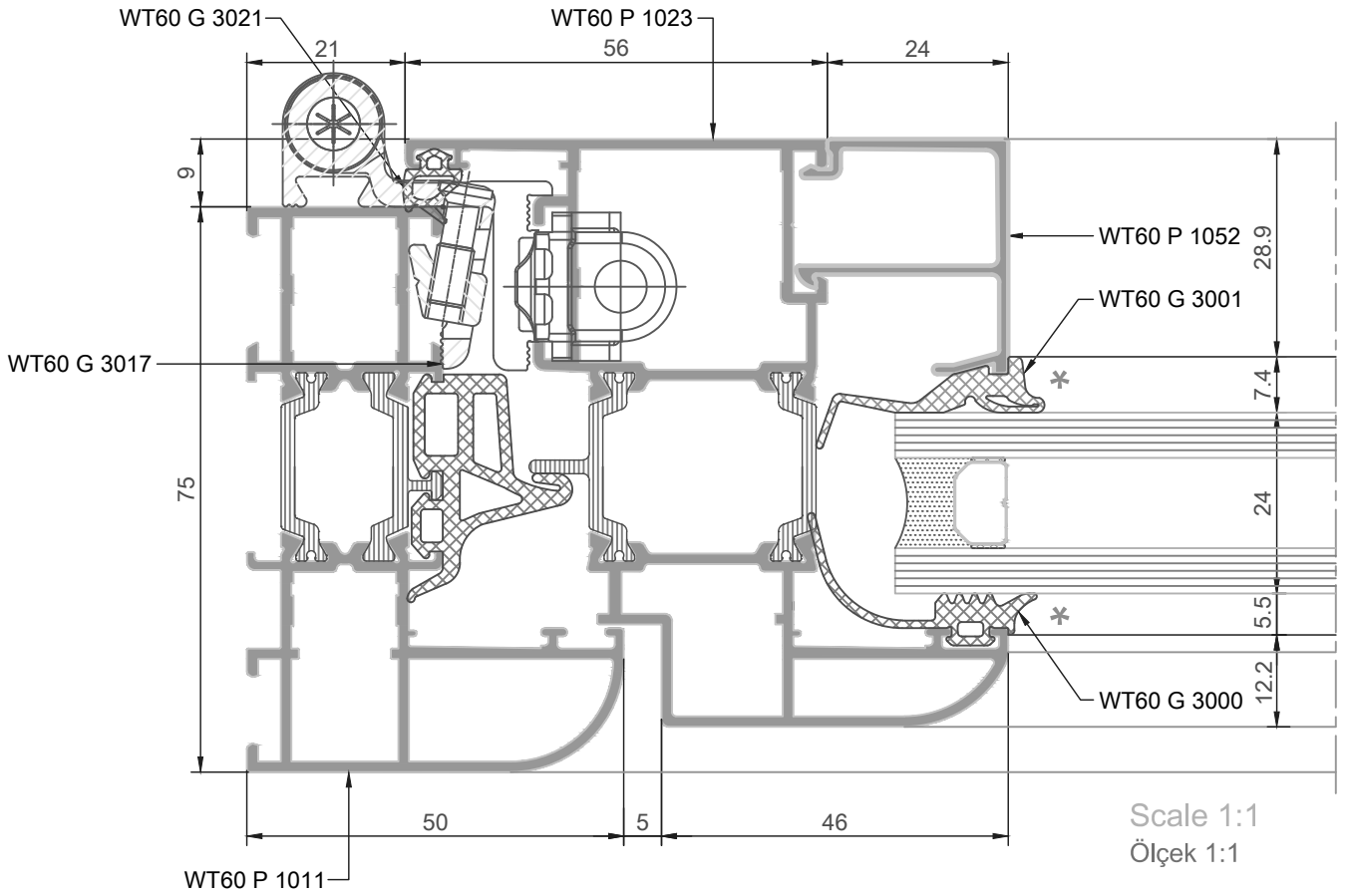
*cam kombinasyon sayfasına bakınız.

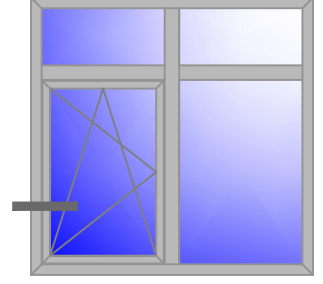




* see glazing beads table

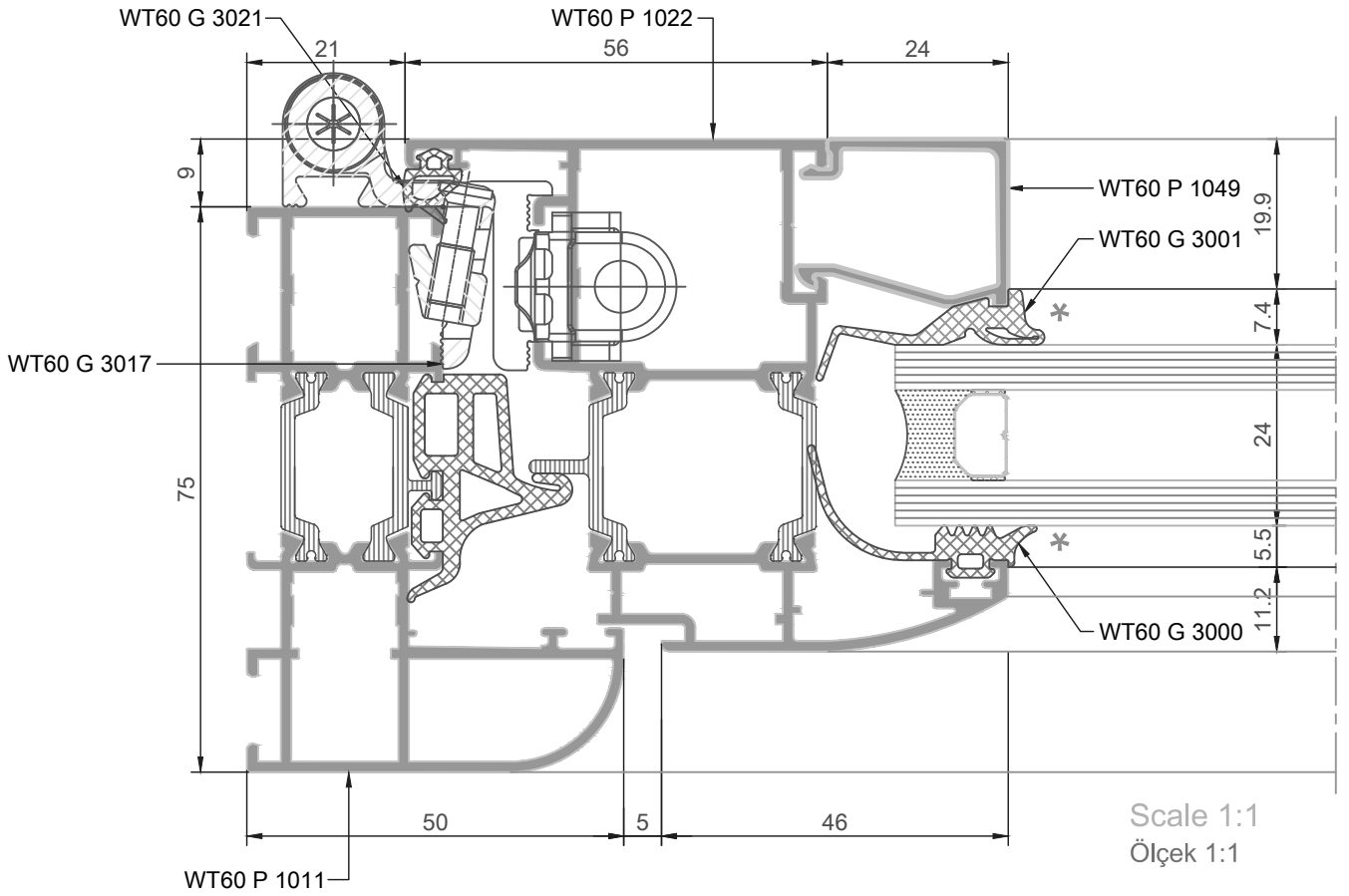
*cam kombinasyon sayfasına bakınız.





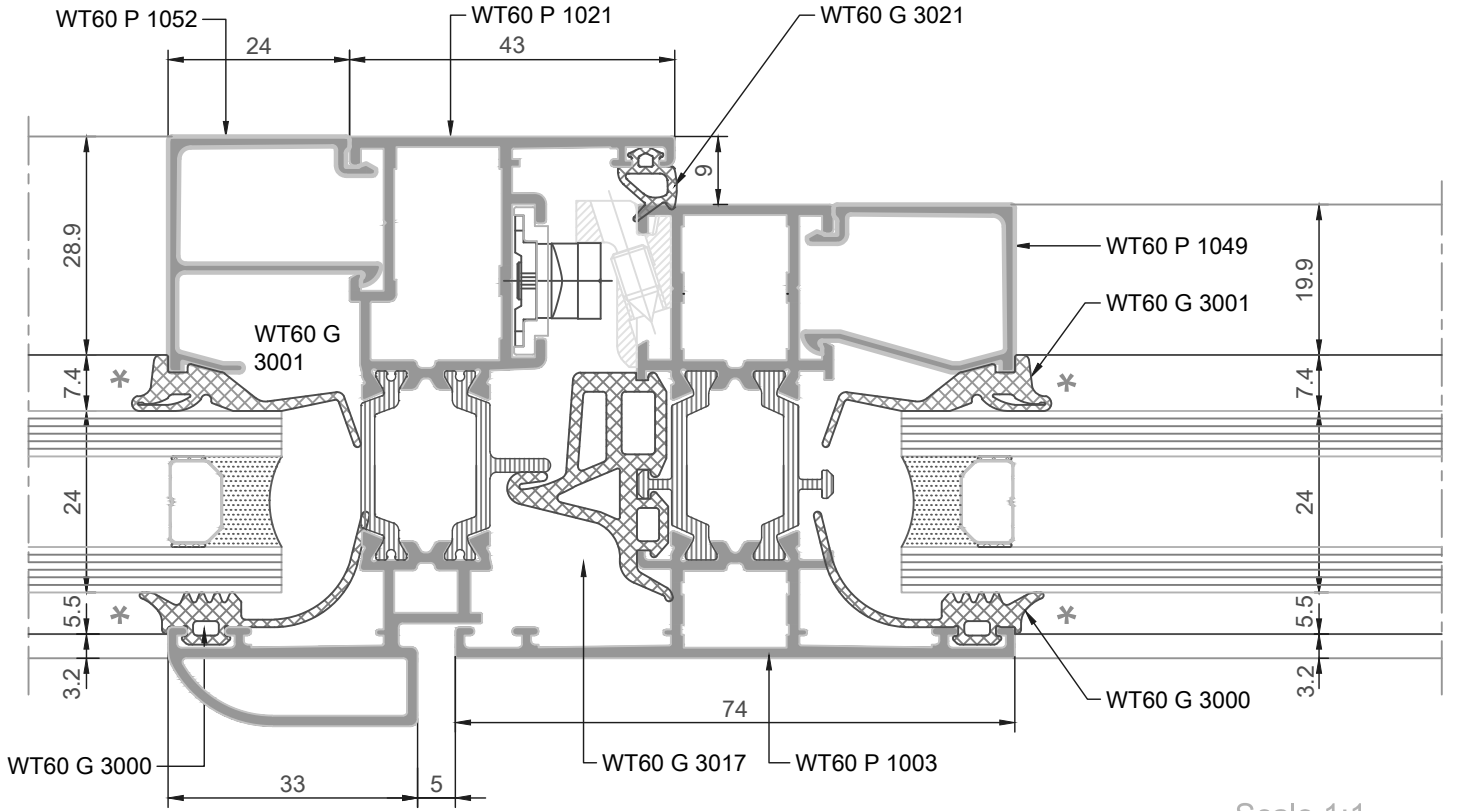
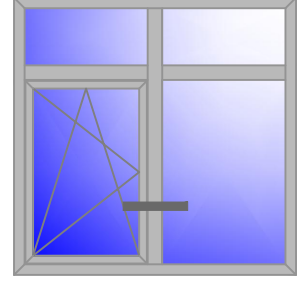
* see glazing beads table

*cam kombinasyon sayfasına bakınız.



* see glazing beads table

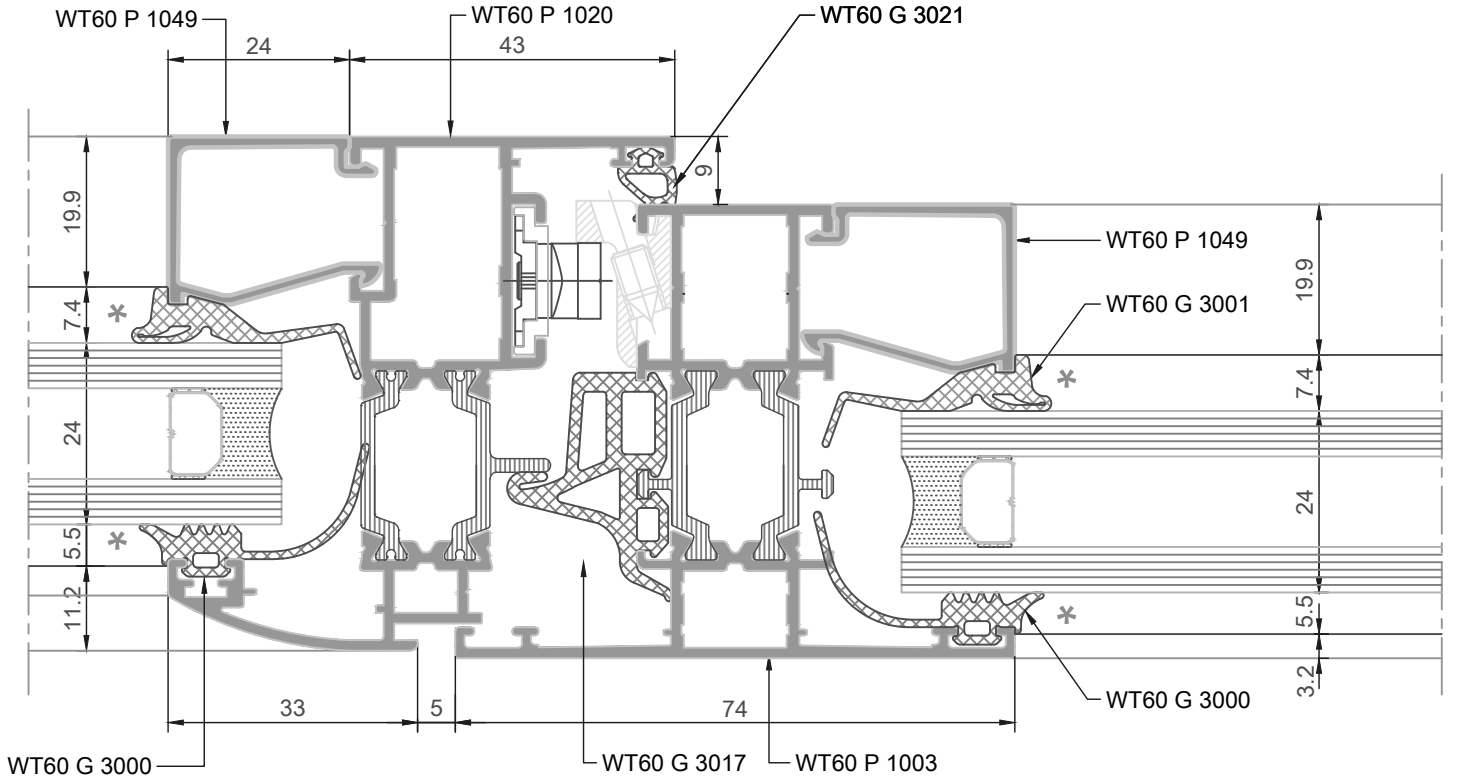
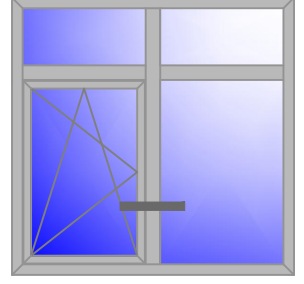
*cam kombinasyon sayfasına bakınız.



Scale 1:1
Ölçek 1:1

* see glazing beads table

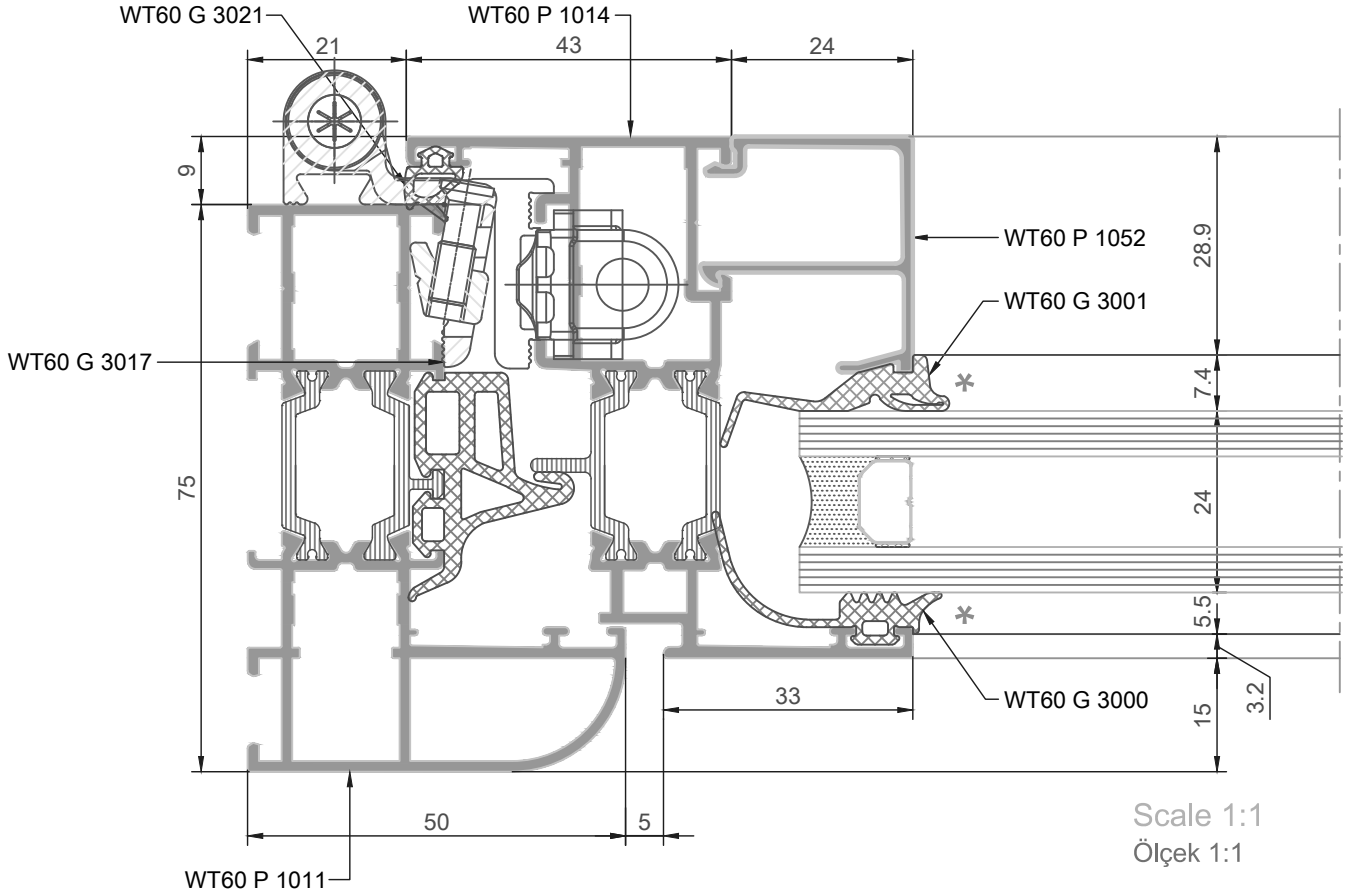
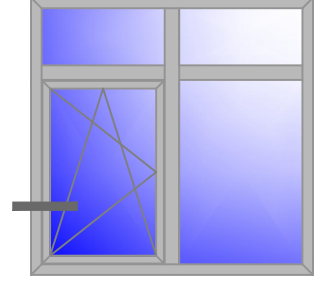
*cam kombinasyon sayfasına bakınız.

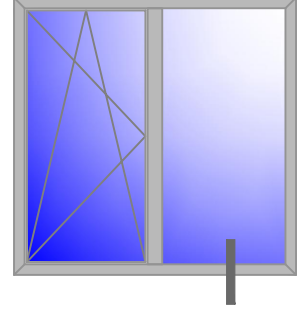


Scale 1:1
Ölçek 1:1

* see glazing beads table

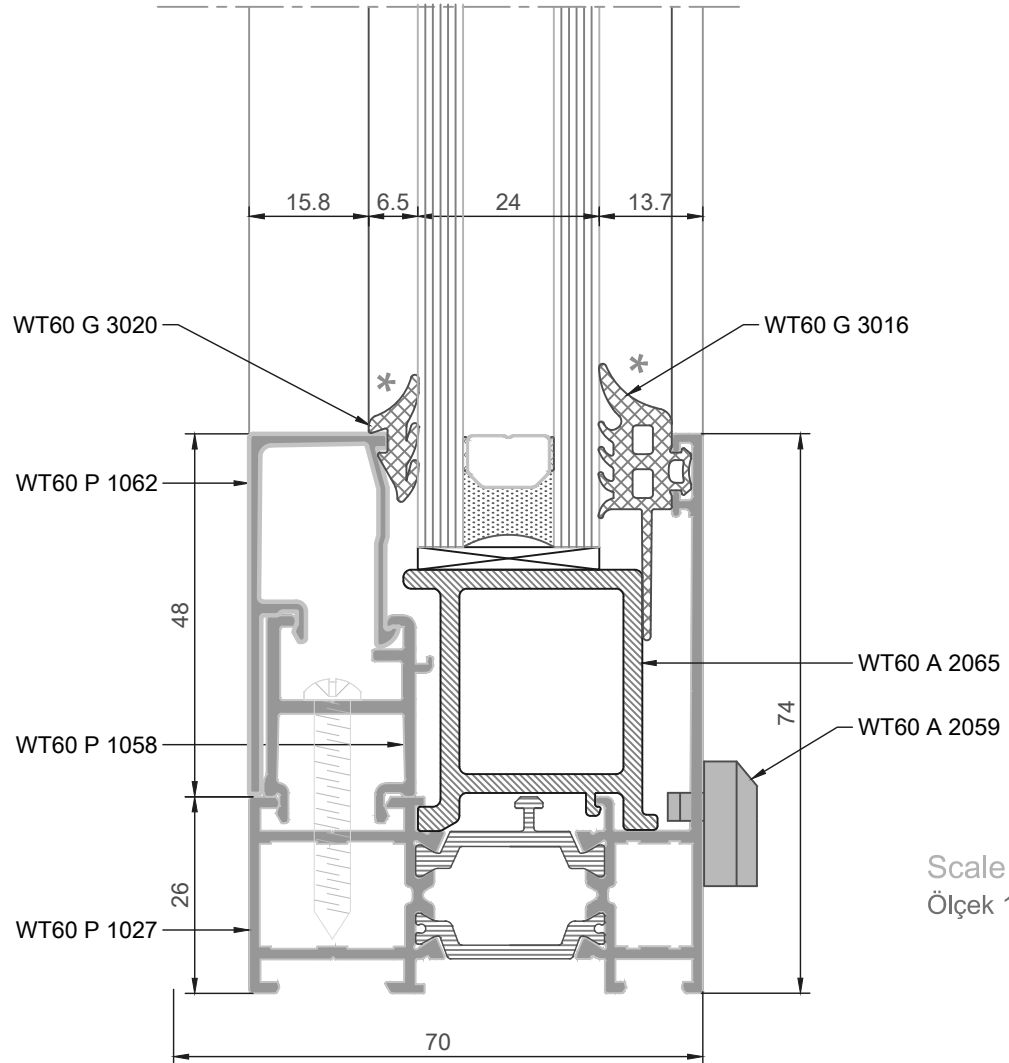
*cam kombinasyon sayfasına bakınız.





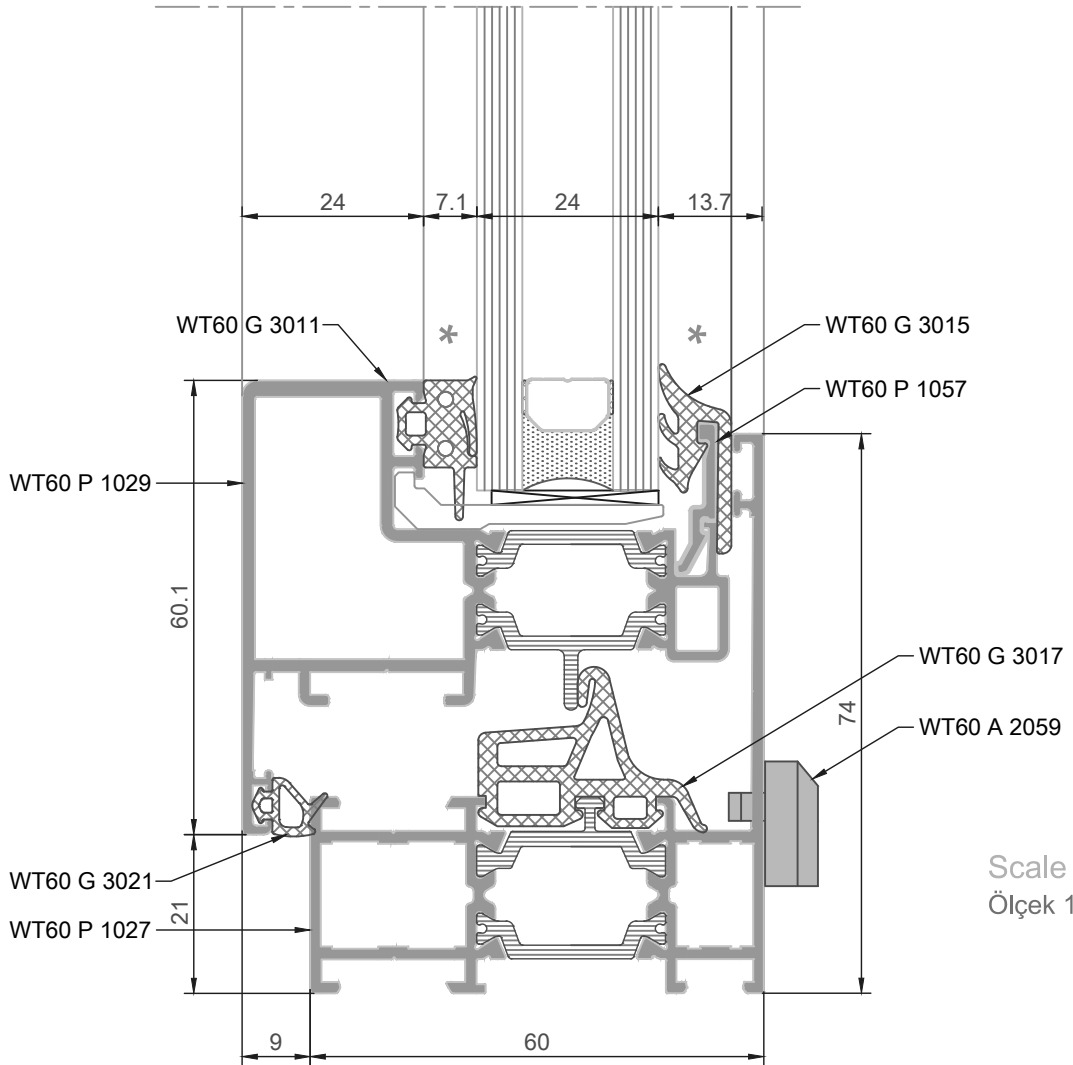
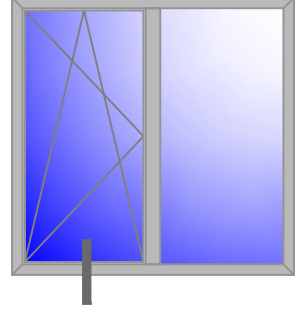
* see glazing beads table

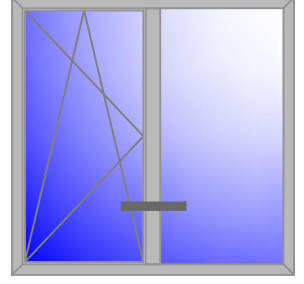
*cam kombinasyon sayfasına bakınız.



* see glazing beads table

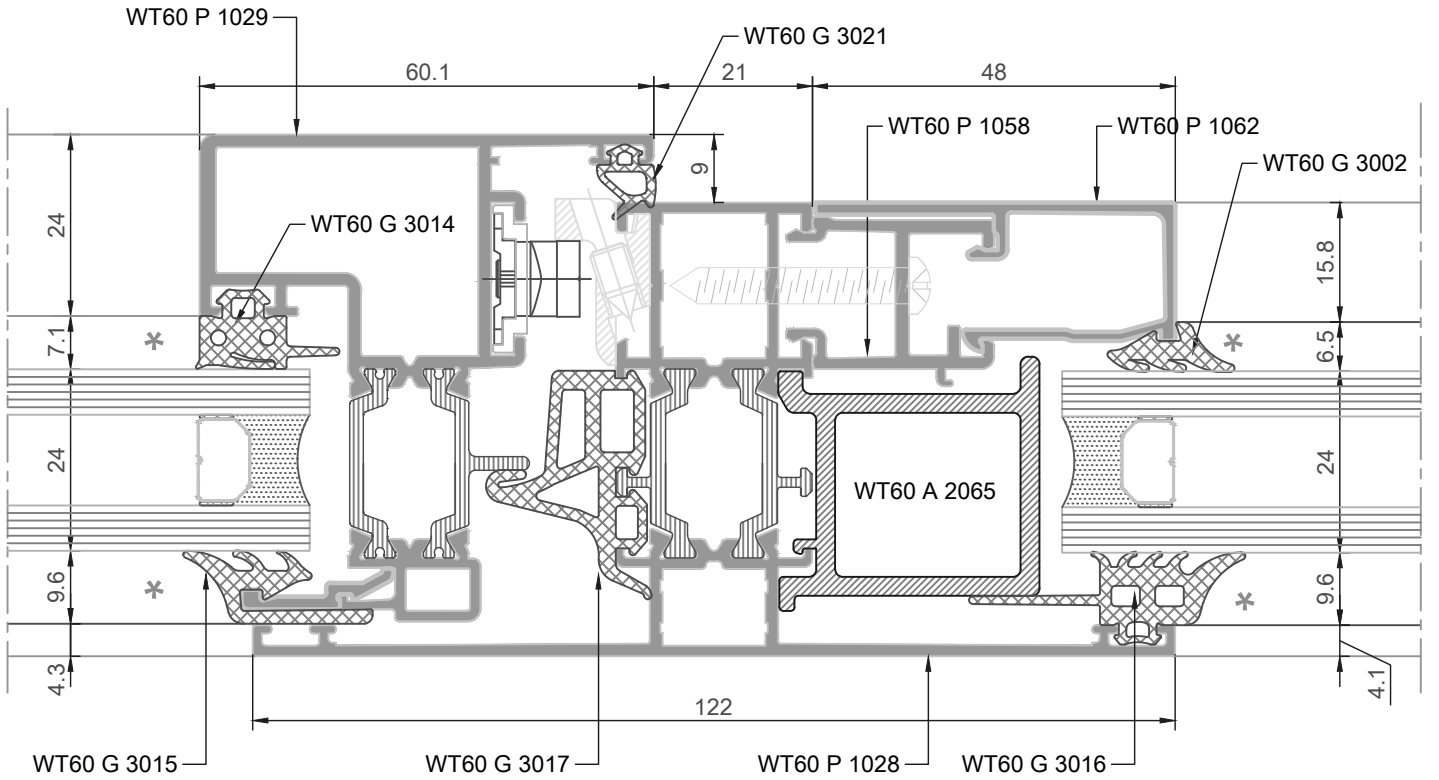
*cam kombinasyon sayfasına bakınız.



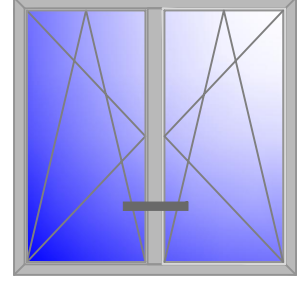


* see glazing beads table

*cam kombinasyon sayfasına bakınız.

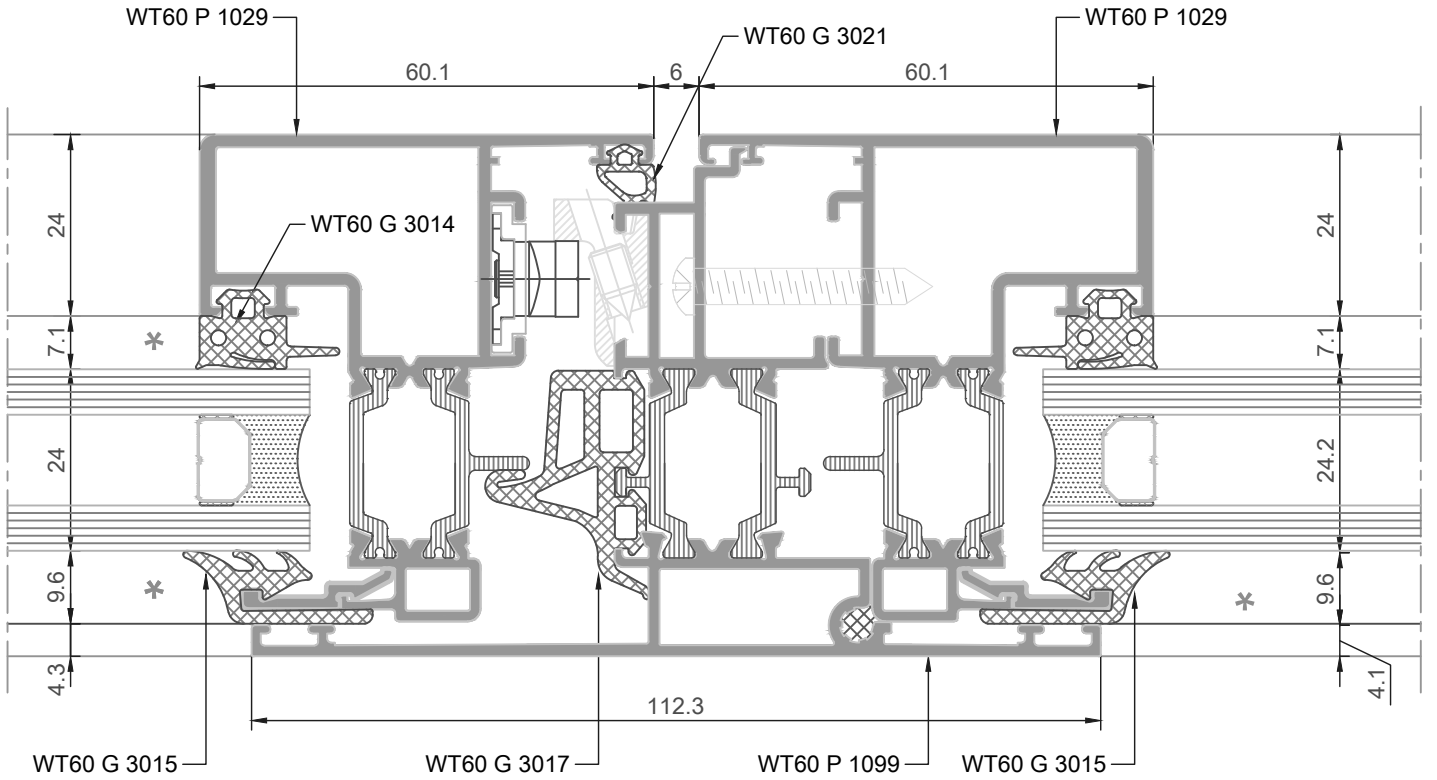


Scale 1:1
Ölçek 1:1



* see glazing beads table

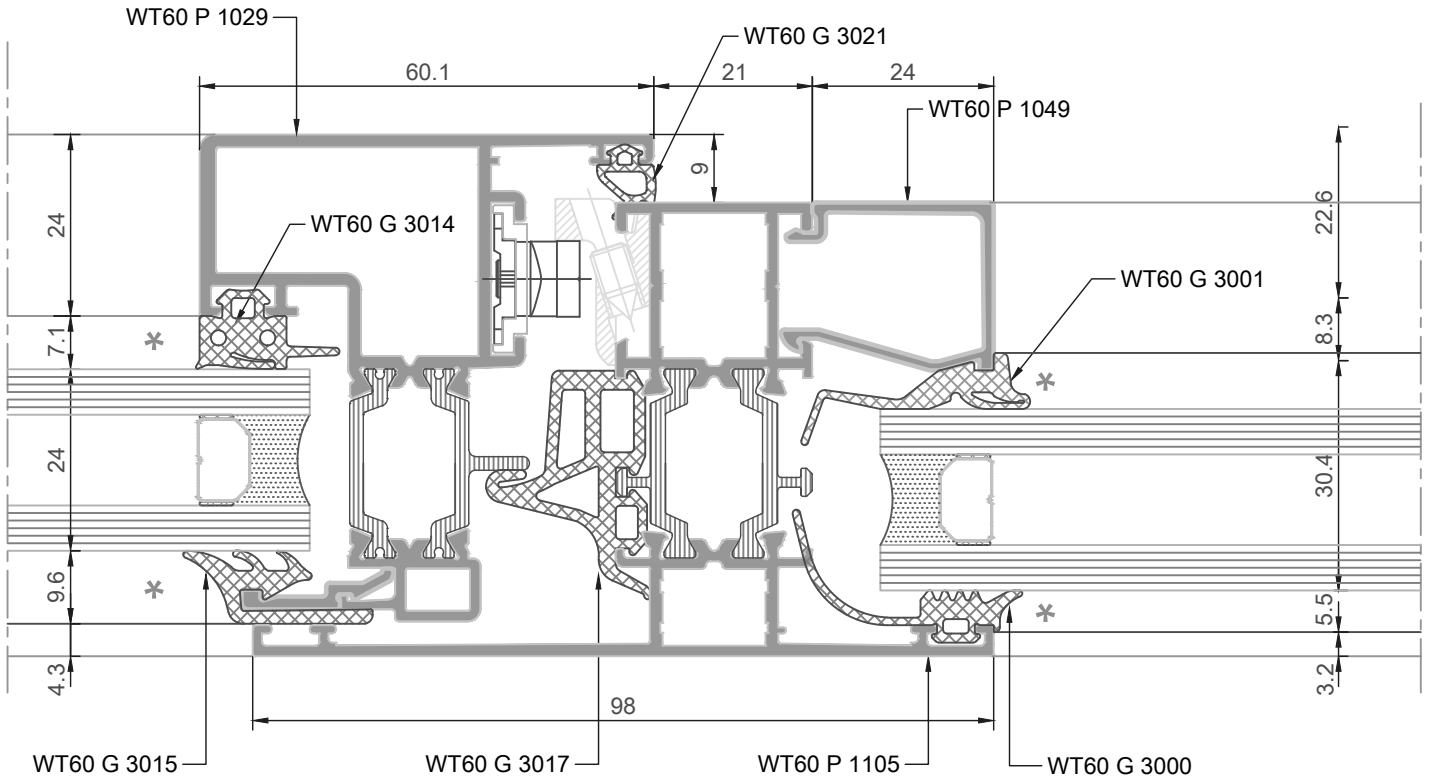
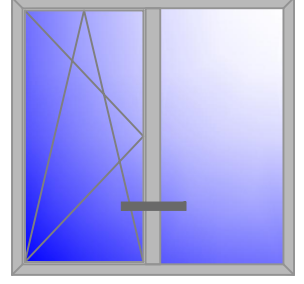
*cam kombinasyon sayfasına bakınız.



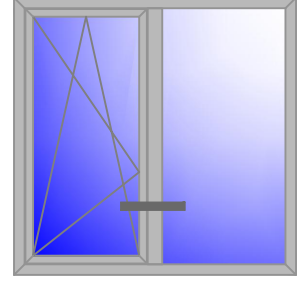
Scale 1:1
Ölçek 1:1

* see glazing beads table

*cam kombinasyon sayfasına bakınız.

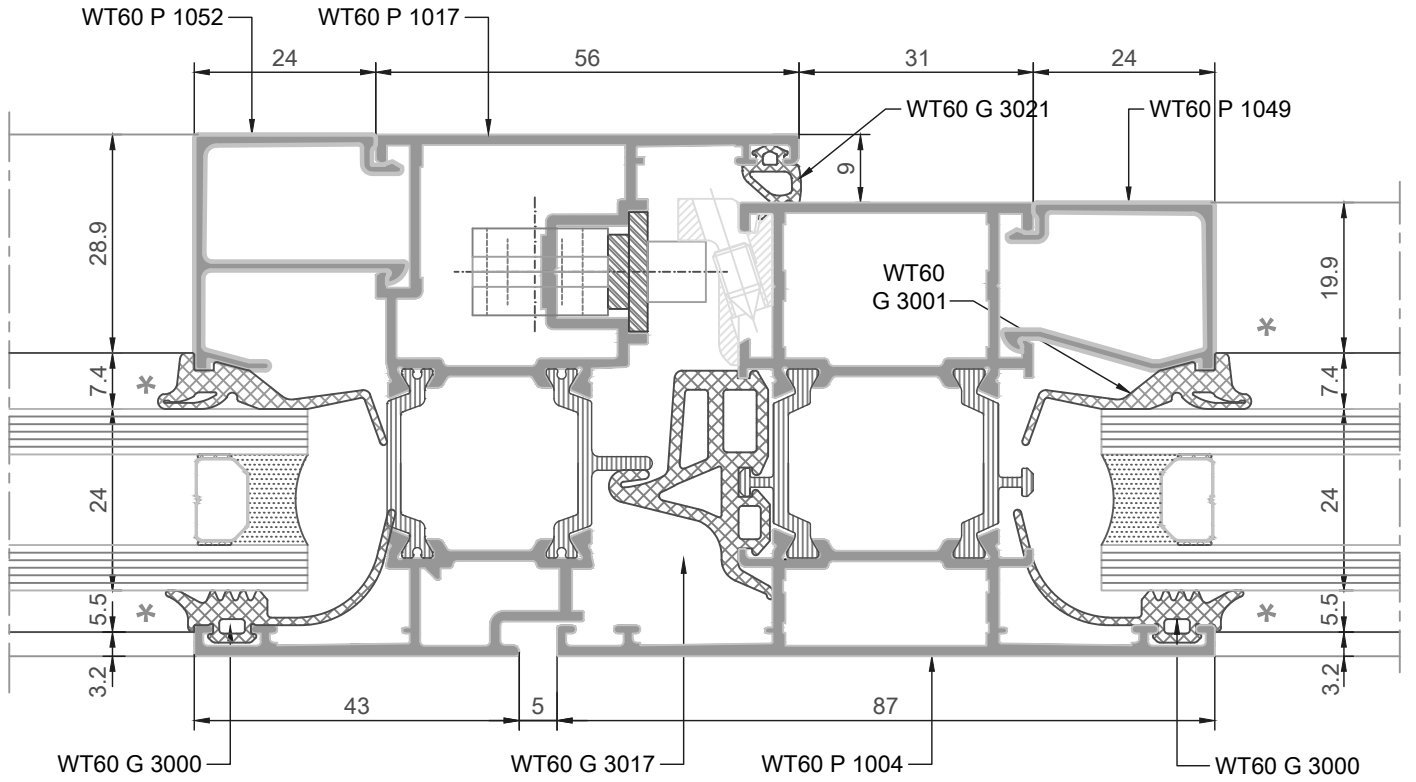


Scale 1:1
Ölçek 1:1



* see glazing beads table

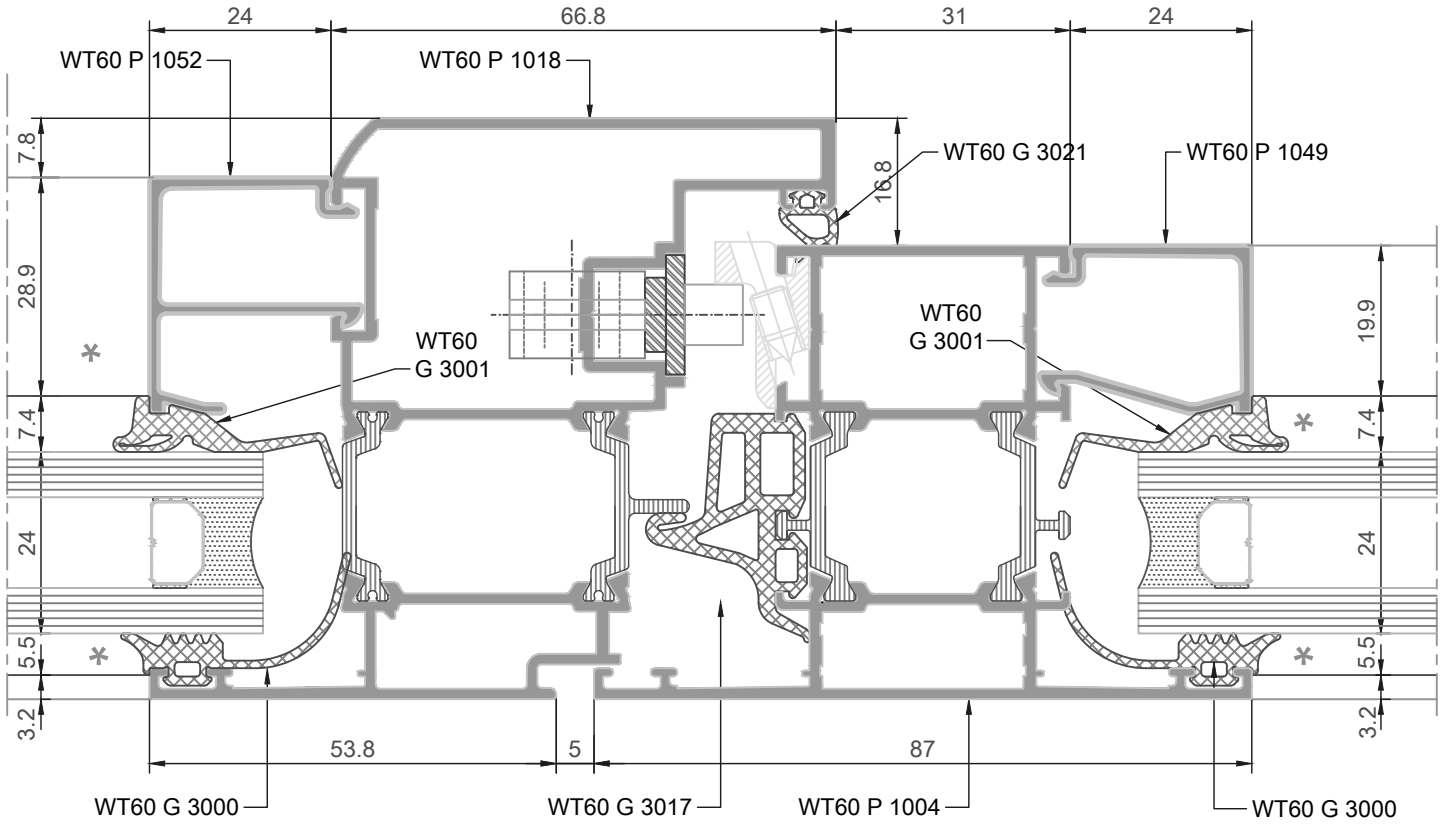
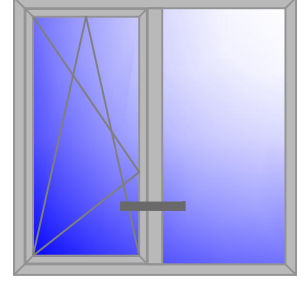
*cam kombinasyon sayfasına bakınız.



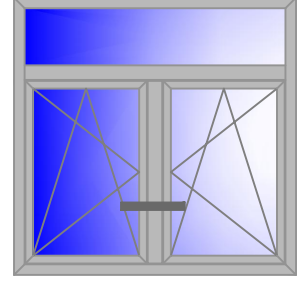
Scale 1:1
Ölçek 1:1

* see glazing beads table

*cam kombinasyon sayfasına bakınız.

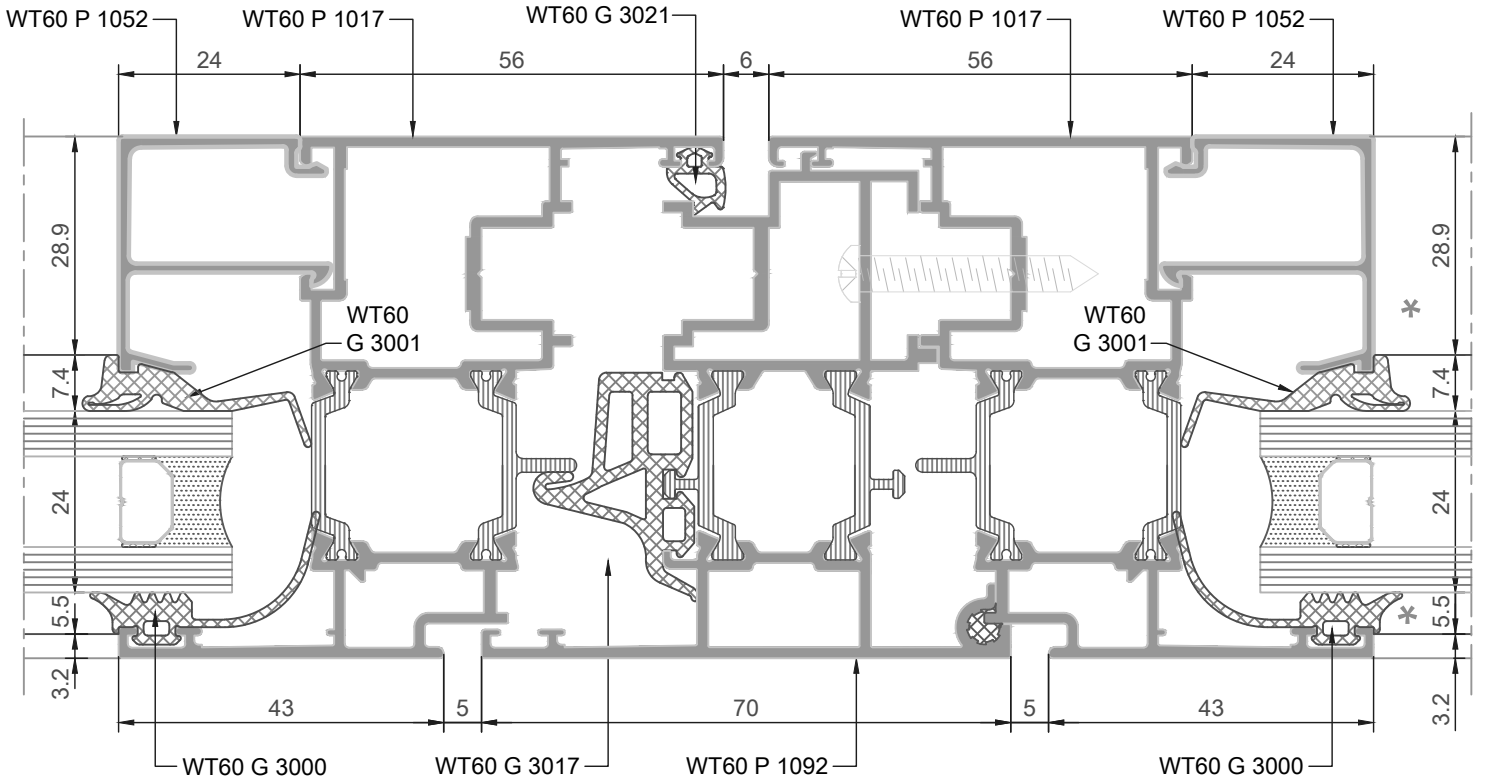


Scale 1:1
Ölçek 1:1



* see glazing beads table

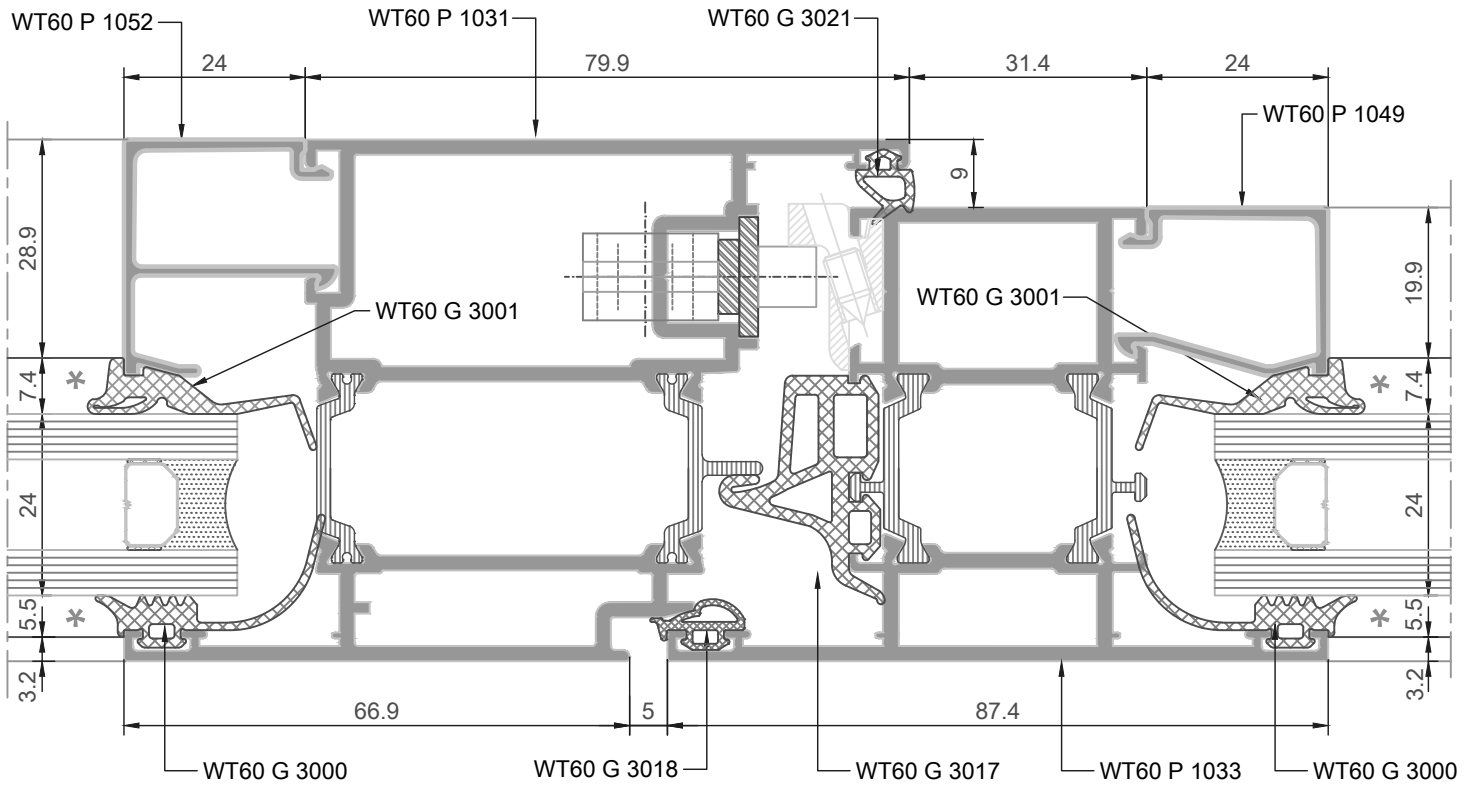
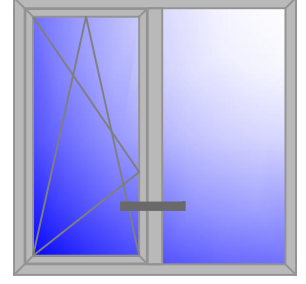
*cam kombinasyon sayfasına bakınız.



Scale 1:1
Ölçek 1:1

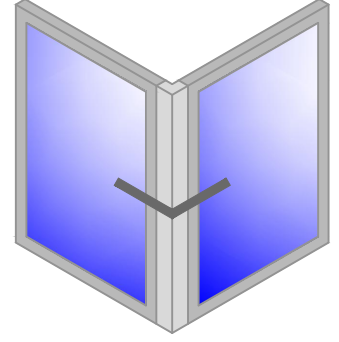
* see glazing beads table

*cam kombinasyon sayfasına bakınız.



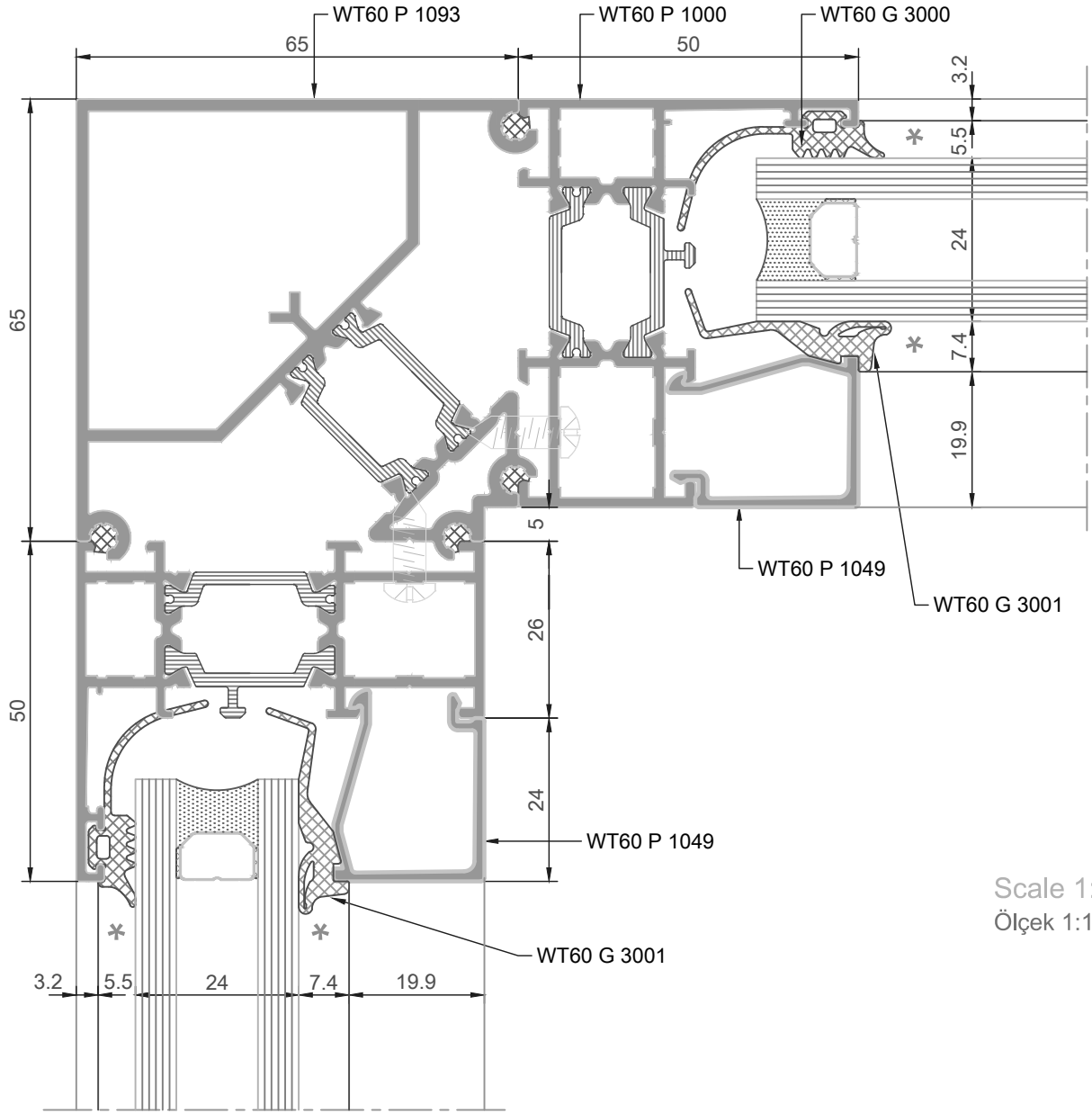
Scale 1:1
Ölçek 1:1

* 90° OUTER CORNER
* 90° DIŞ KÖŞE.



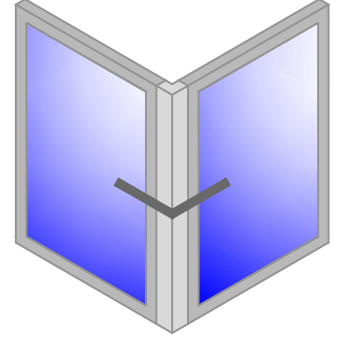
* see glazing beads table

*cam kombinasyon sayfasına bakınız.



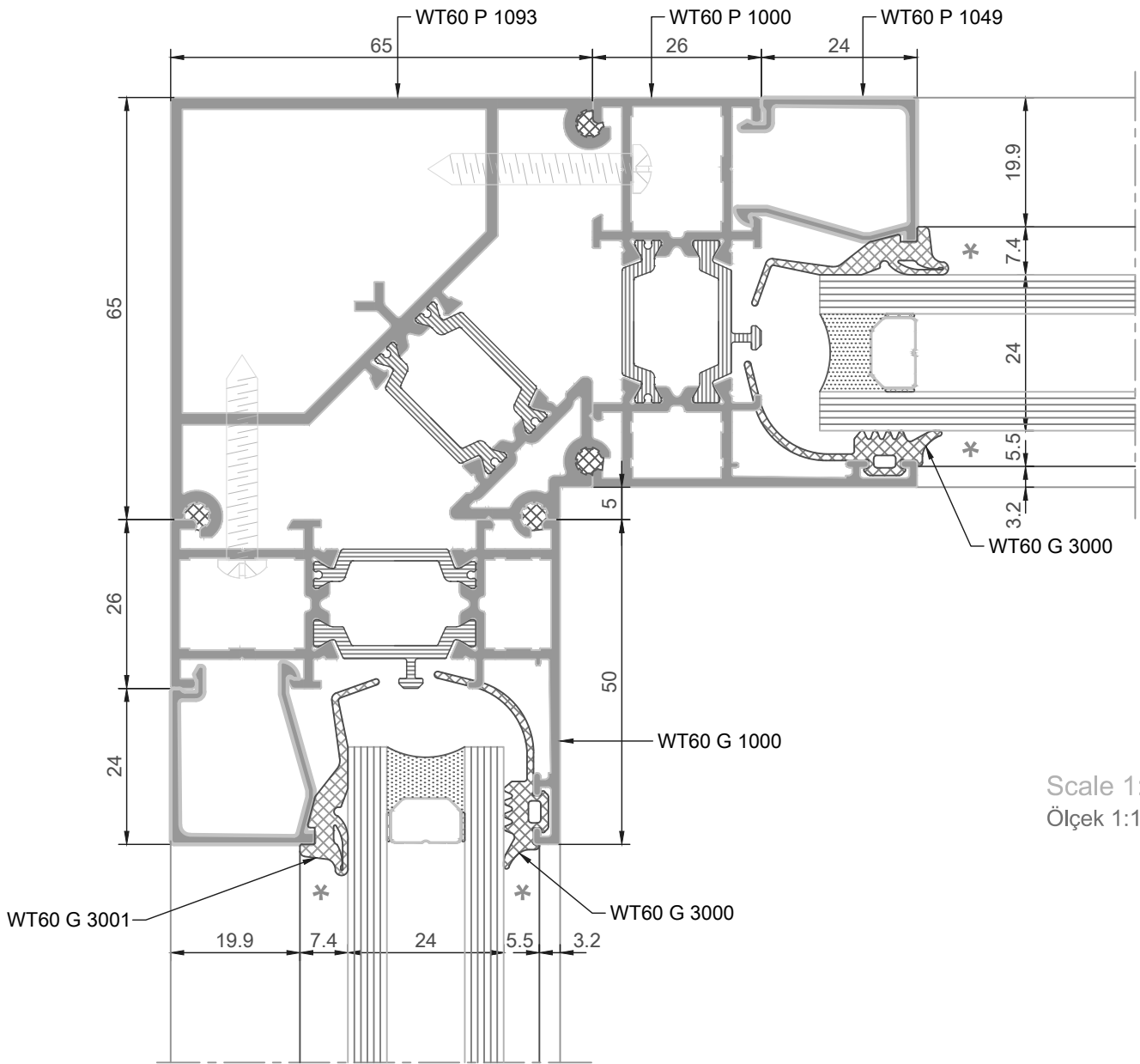
Scale 1:1
Ölçek 1:1

* 90° INNER CORNER
* 90° İÇ KÖŞE.

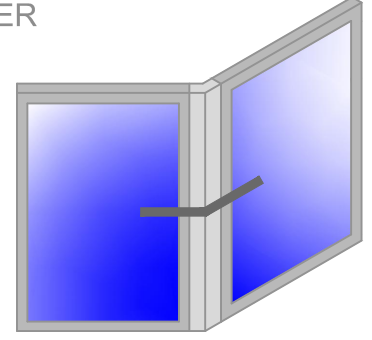


* see glazing beads table

*cam kombinasyon sayfasına bakınız.

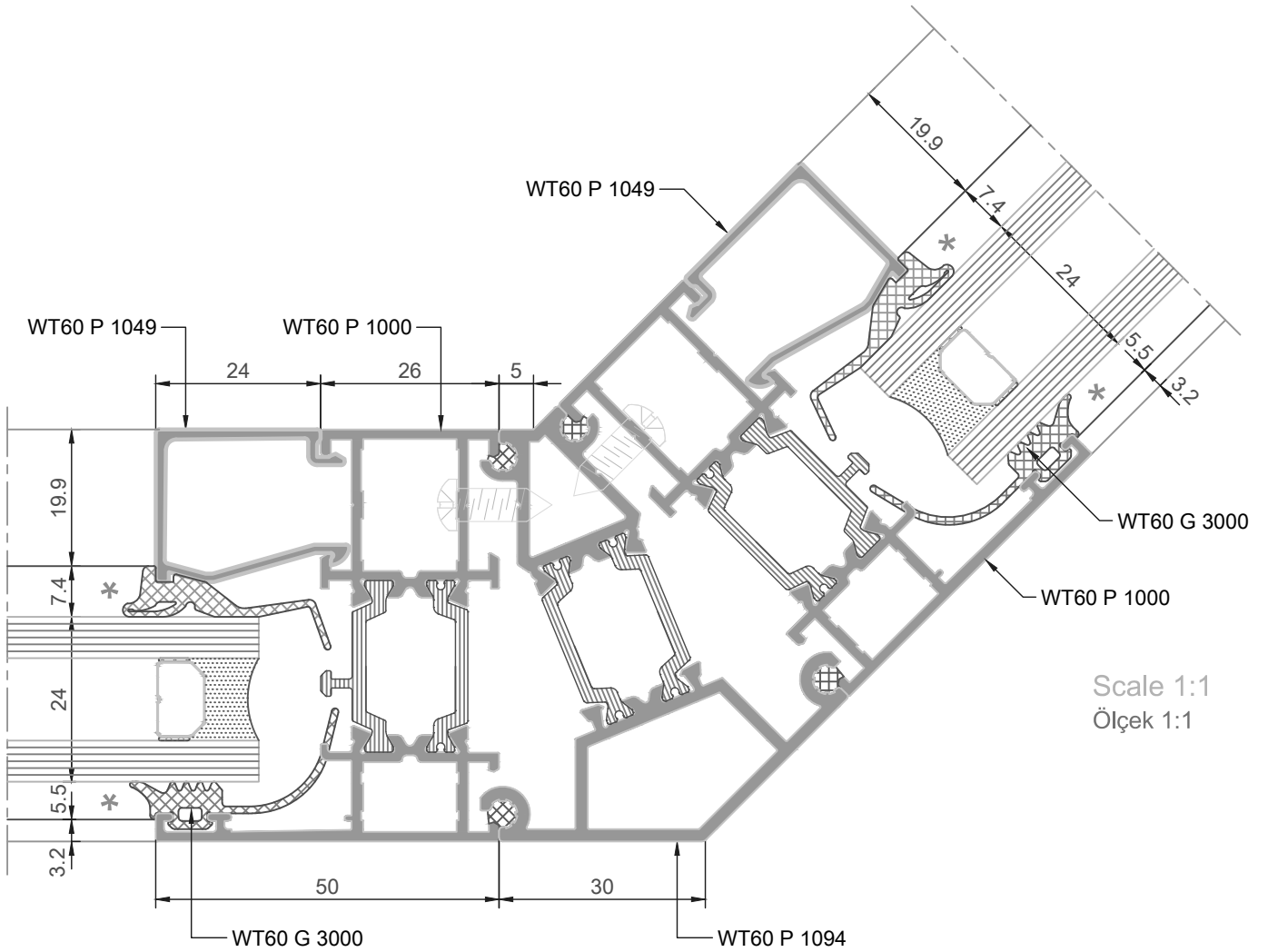


- * 135° OUTER CORNER
- * 135° DIŞ KÖŞE.



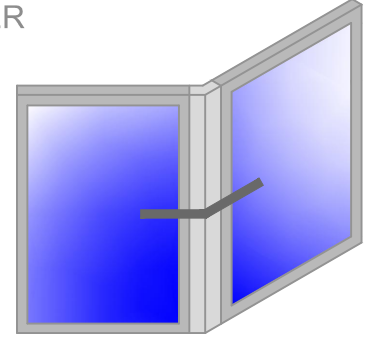
* see glazing beads table

*cam kombinasyon sayfasına bakınız.



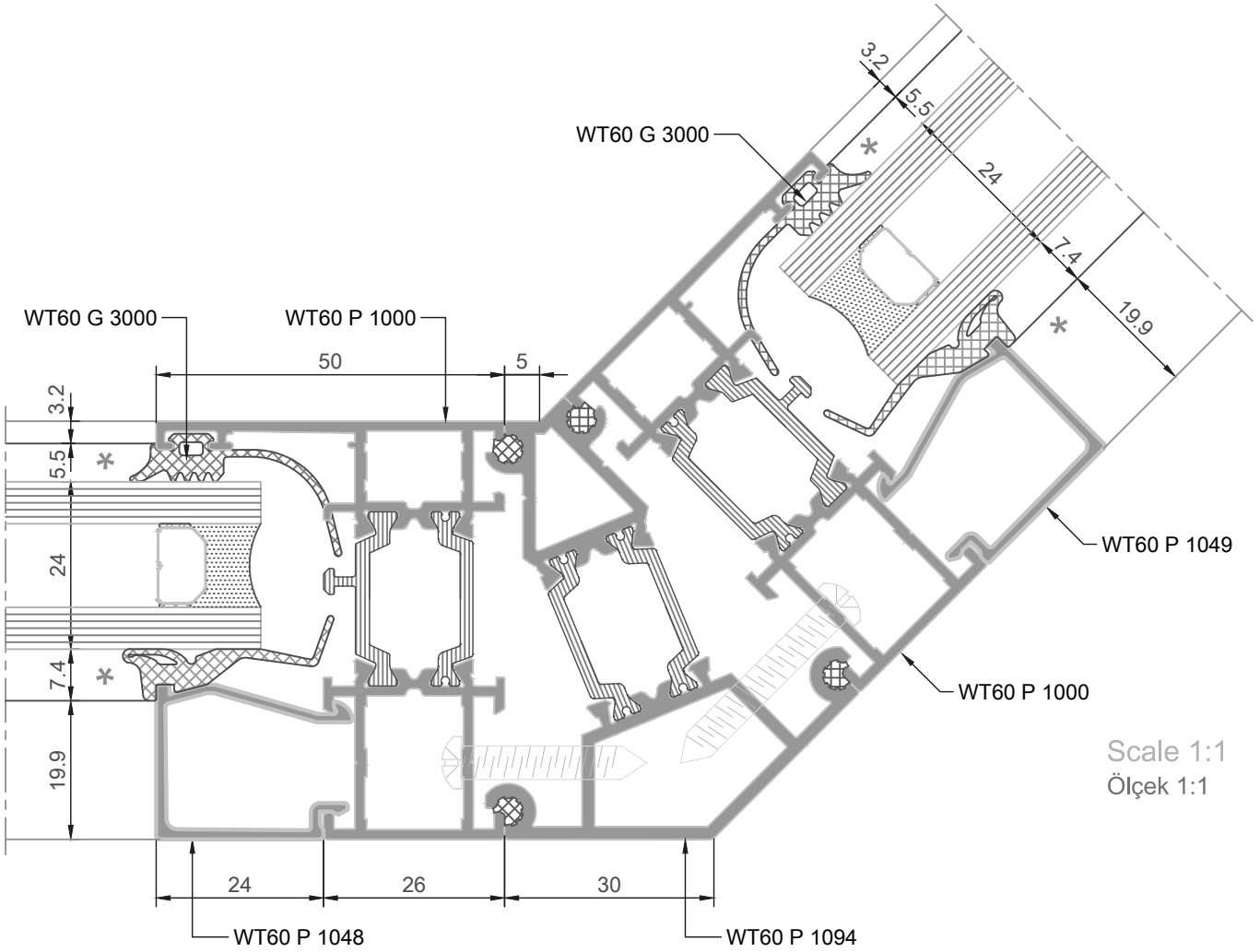
Scale 1:1
Ölçek 1:1

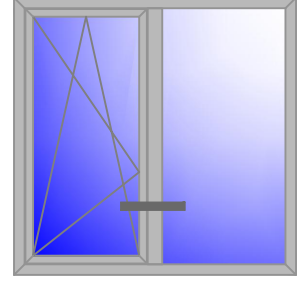
* 135° INNER CORNER
* 135° İÇ KÖŞE.



* see glazing beads table

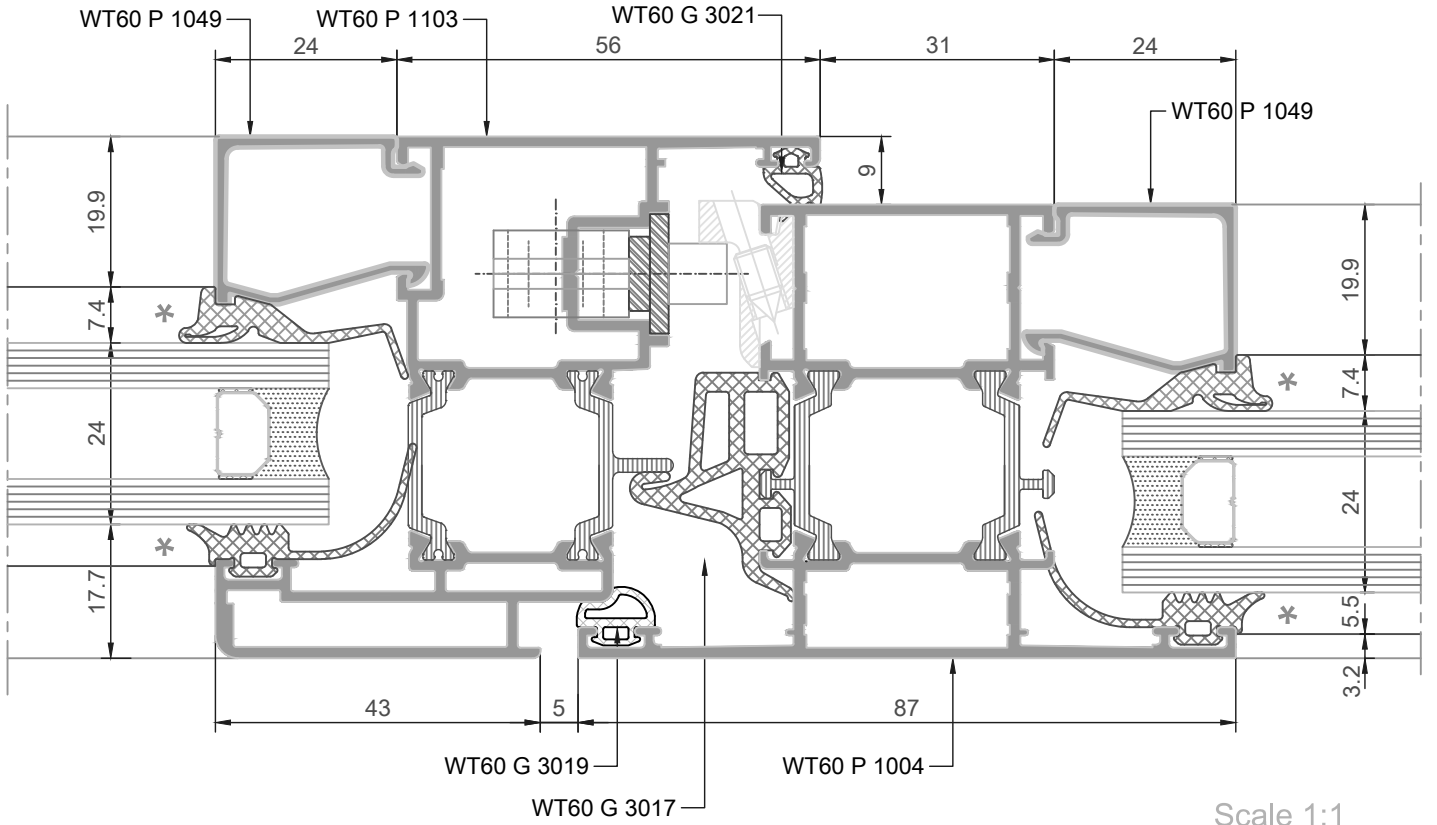
*cam kombinasyon sayfasına bakınız.

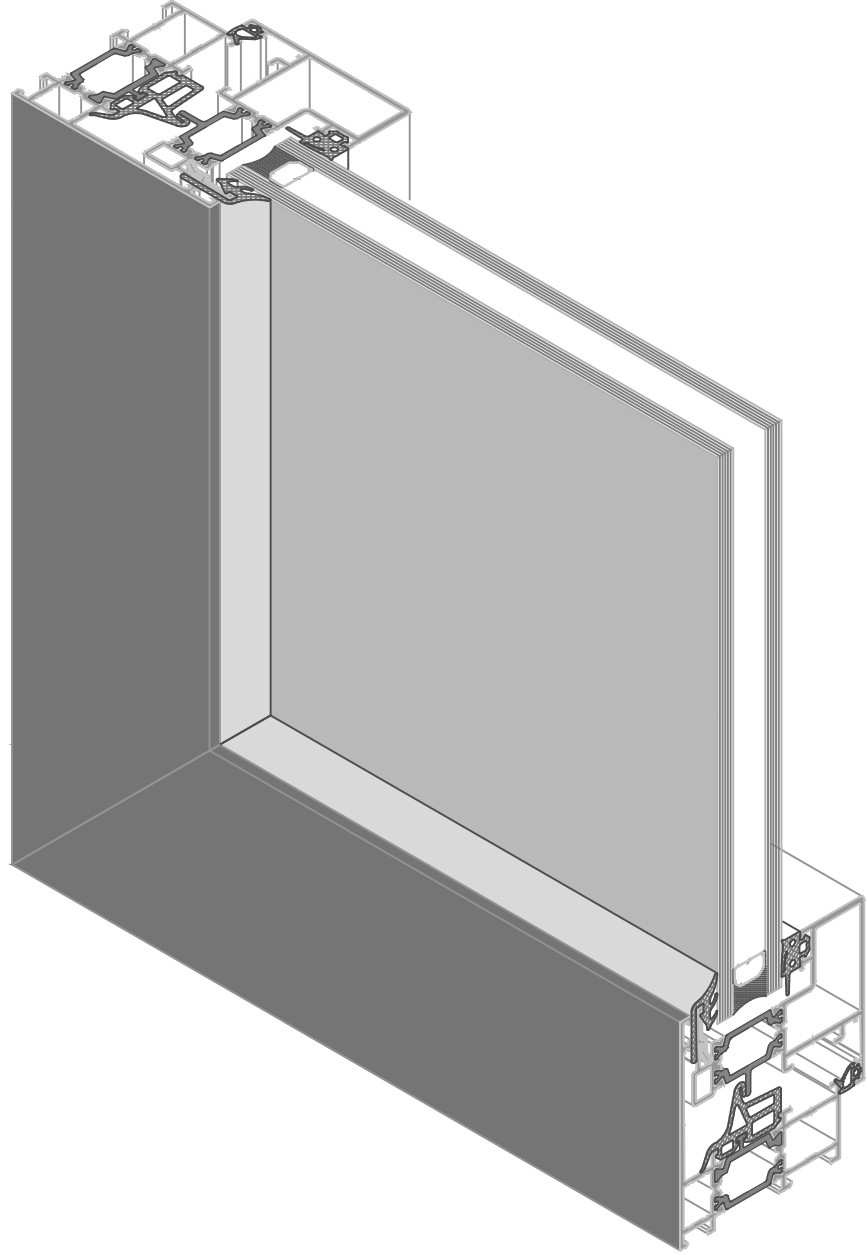


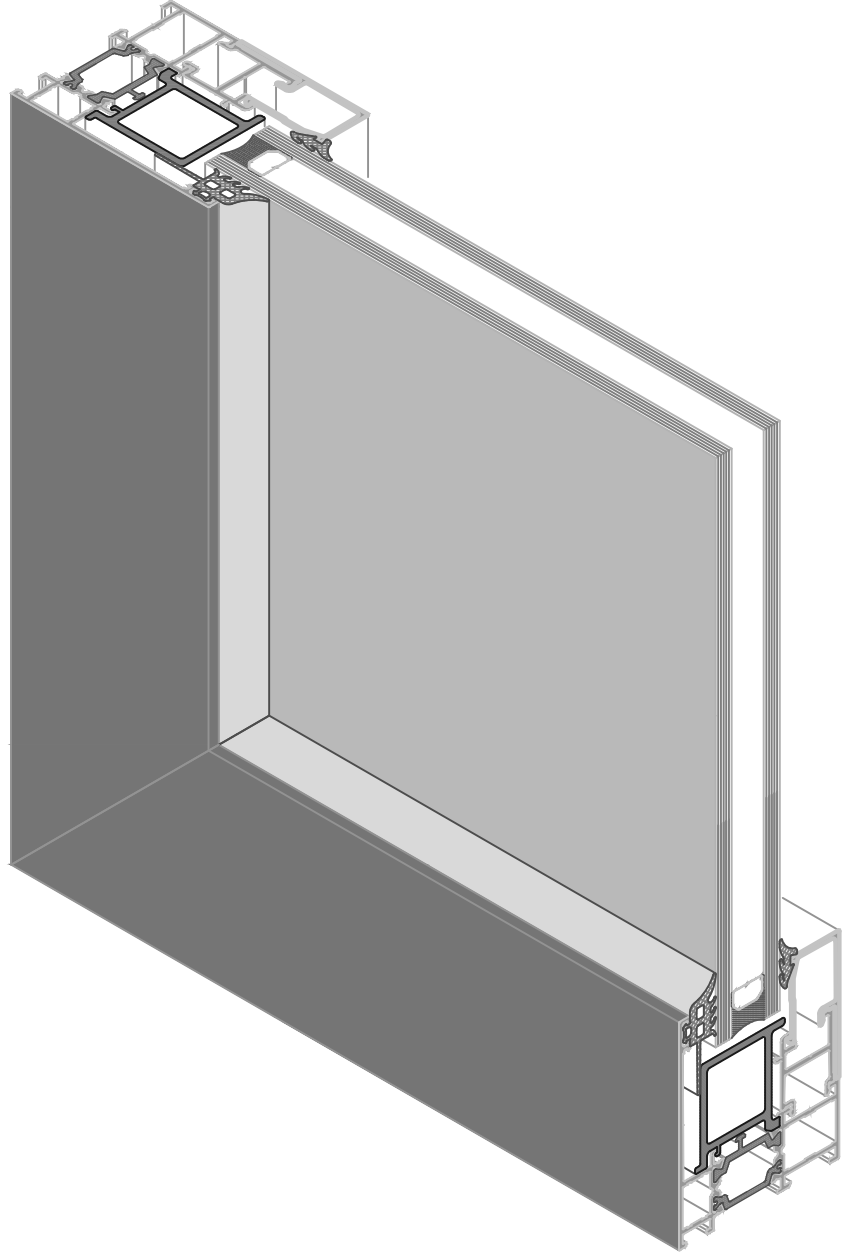


* see glazing beads table

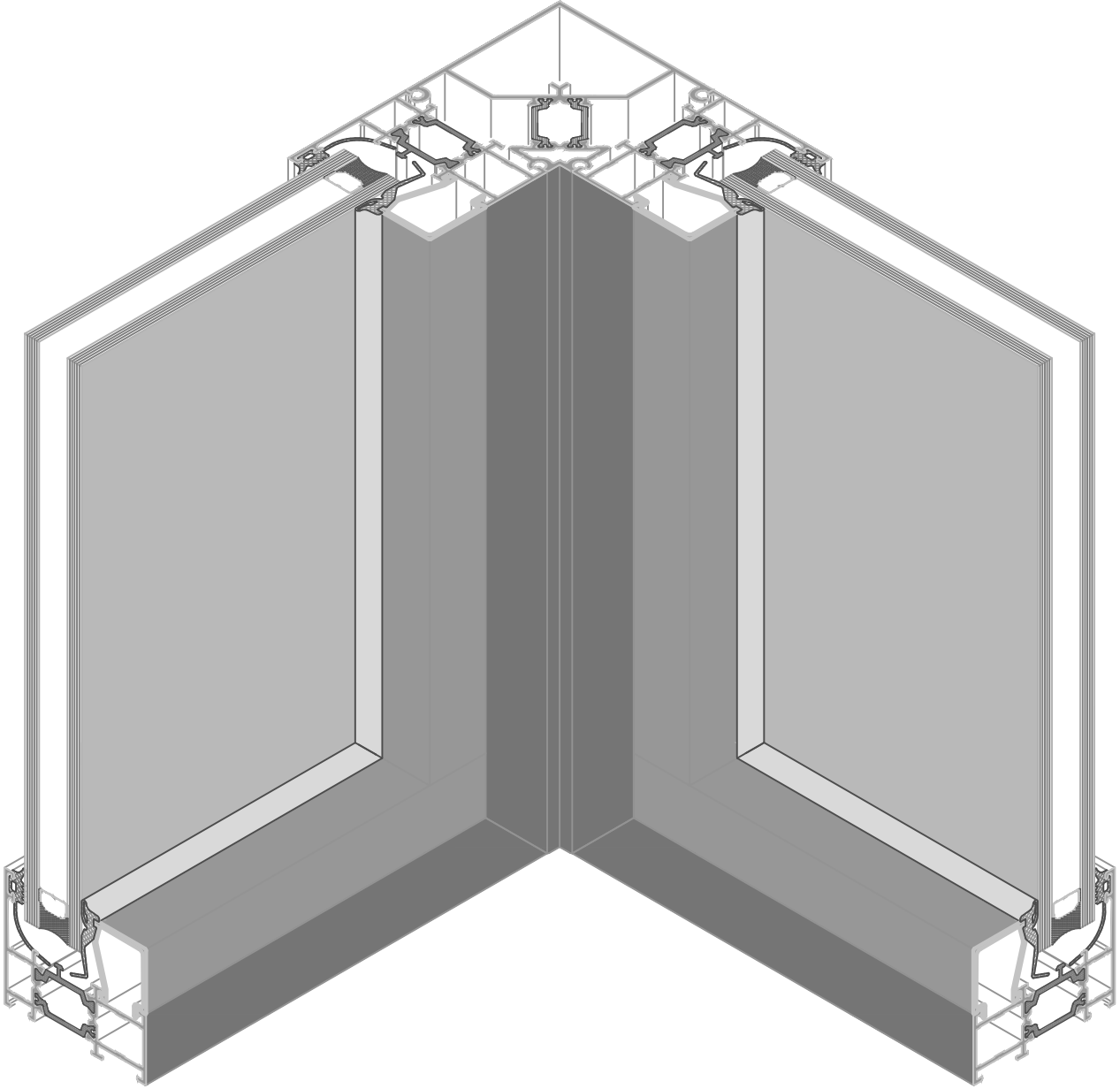
*cam kombinasyon sayfasına bakınız.

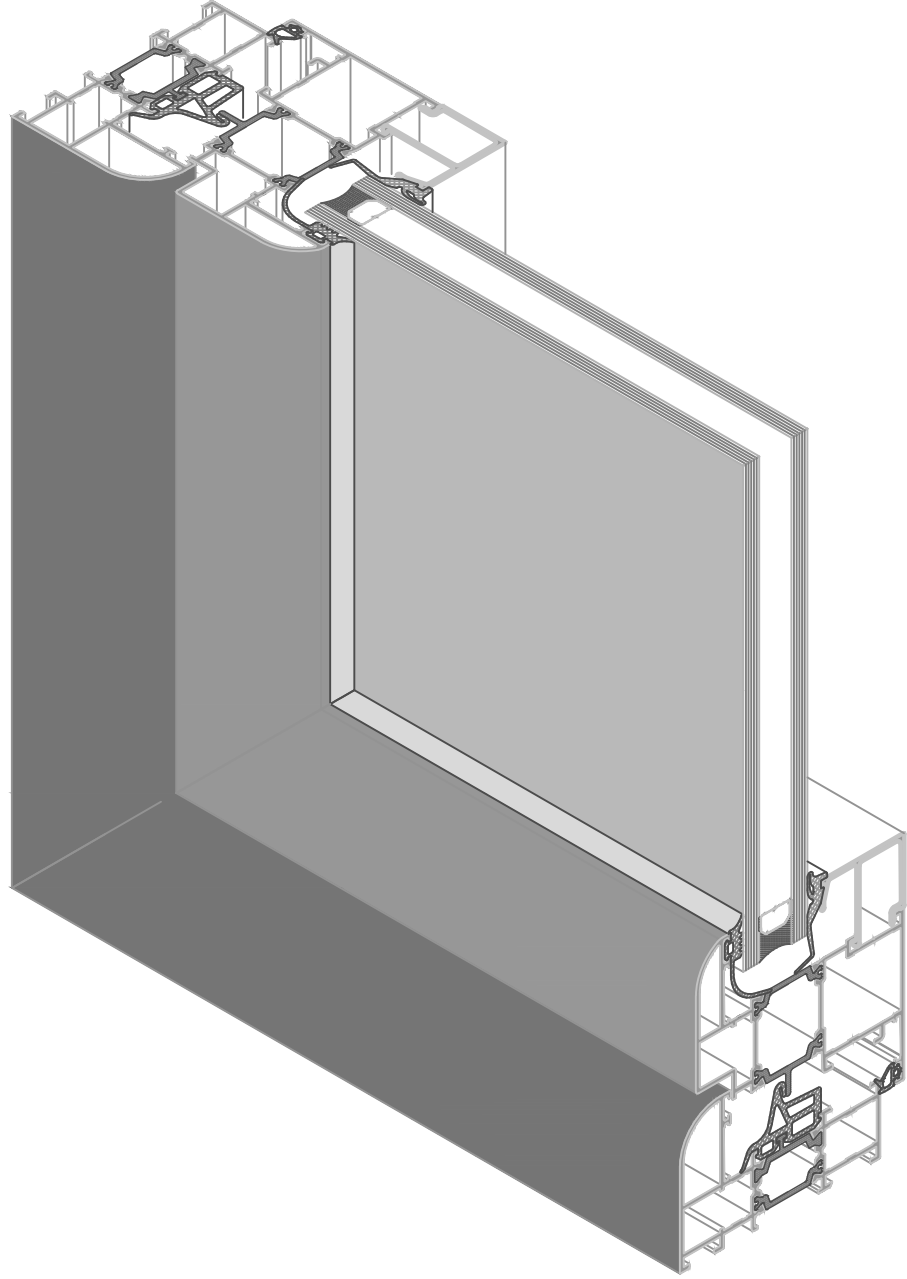


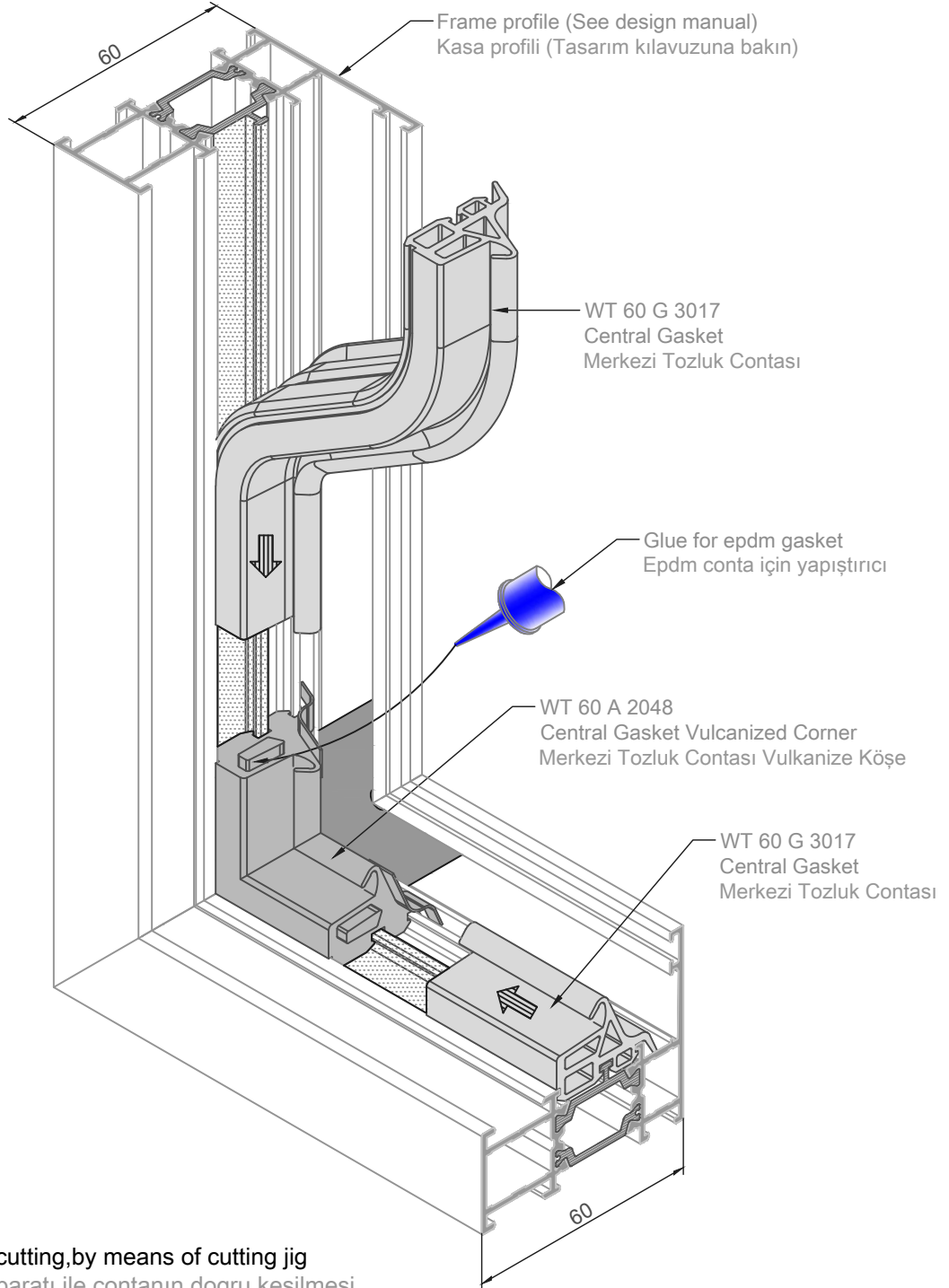




**WT 60 WINDOWS and
DOORS SYSTEM
FABRICATION and CUTTING**







1-Correct cutting,by means of cutting jig

Kesim aparatı ile contanın doğru kesilmesi

2-Necessary overhanging : $\pm 10\text{mm/m}$

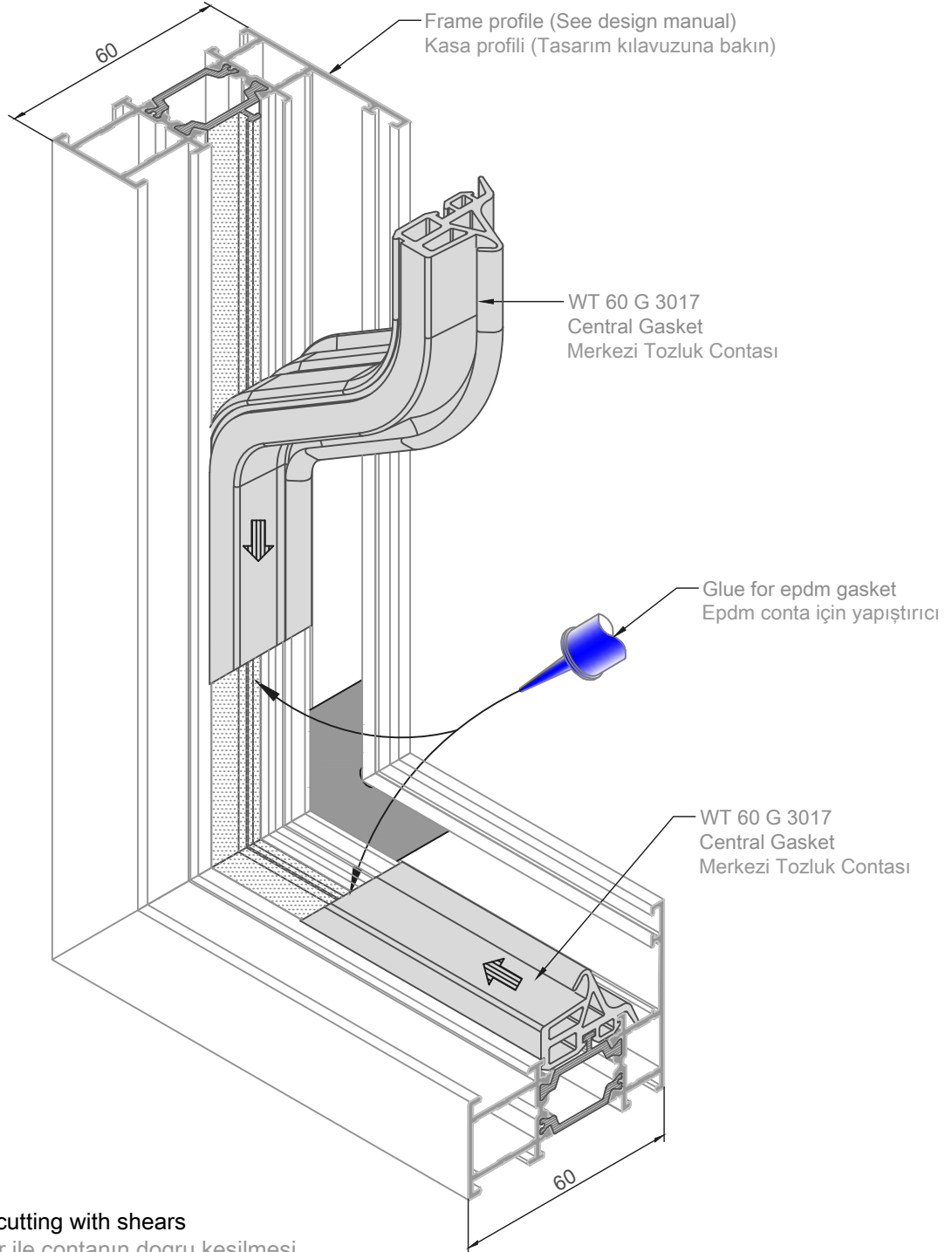
Merkezi conta her metre başına $\pm 10\text{mm}$ uzun kesilmelidir.

3-Applying central gasket and compressing overhanging

Merkezi contayı sıkıştırma yapılarak yerine takılır.

4-Glueing mitres by means of glue for corner connections

Köşe conta ile birleşen conta uçları yapıştırılarak birleştirilmelidir.



1-Correct cutting with shears

Makaslar ile contanın doğru kesilmesi

2-Necessary overhanging : $\pm 10\text{mm/m}$

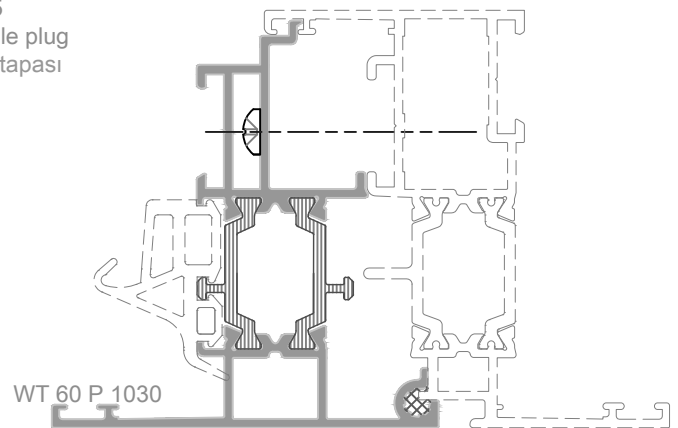
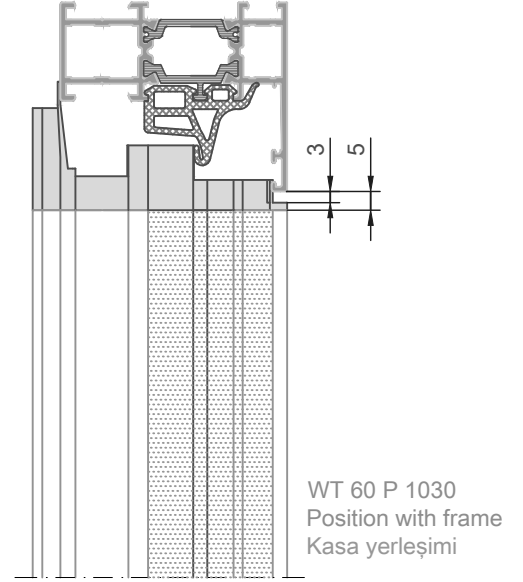
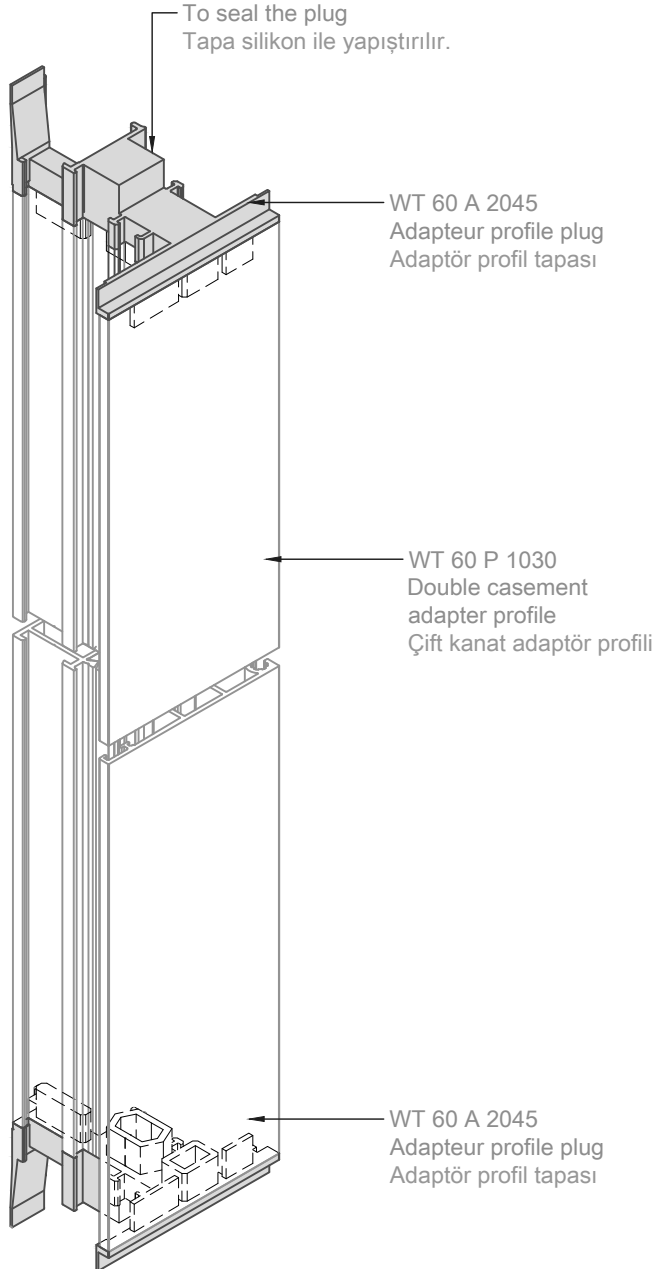
Merkezi conta her metre başına $\pm 10\text{mm}$ uzun kesilmelidir.

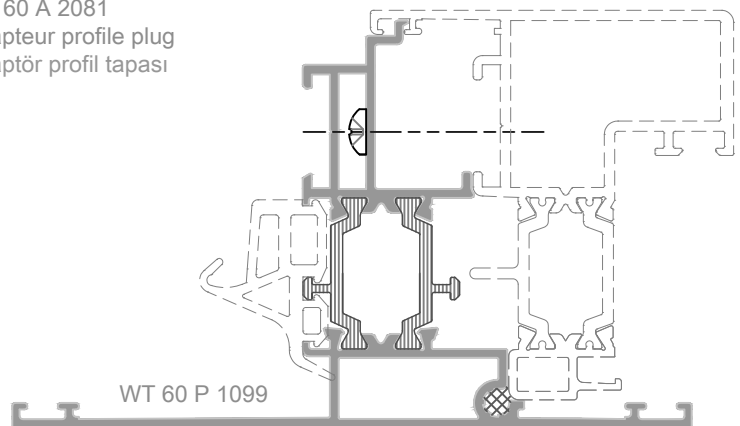
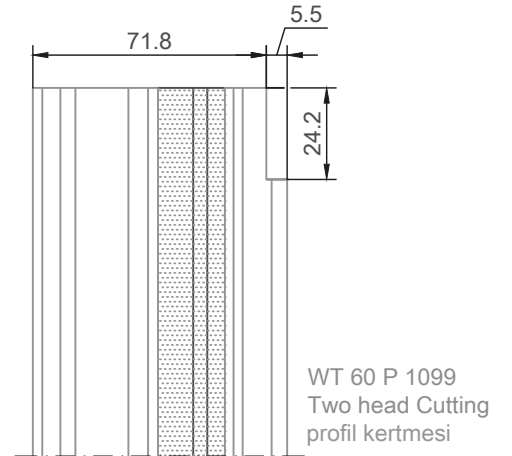
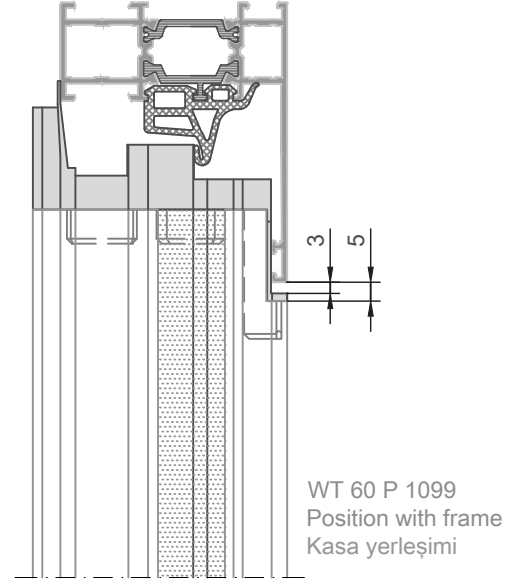
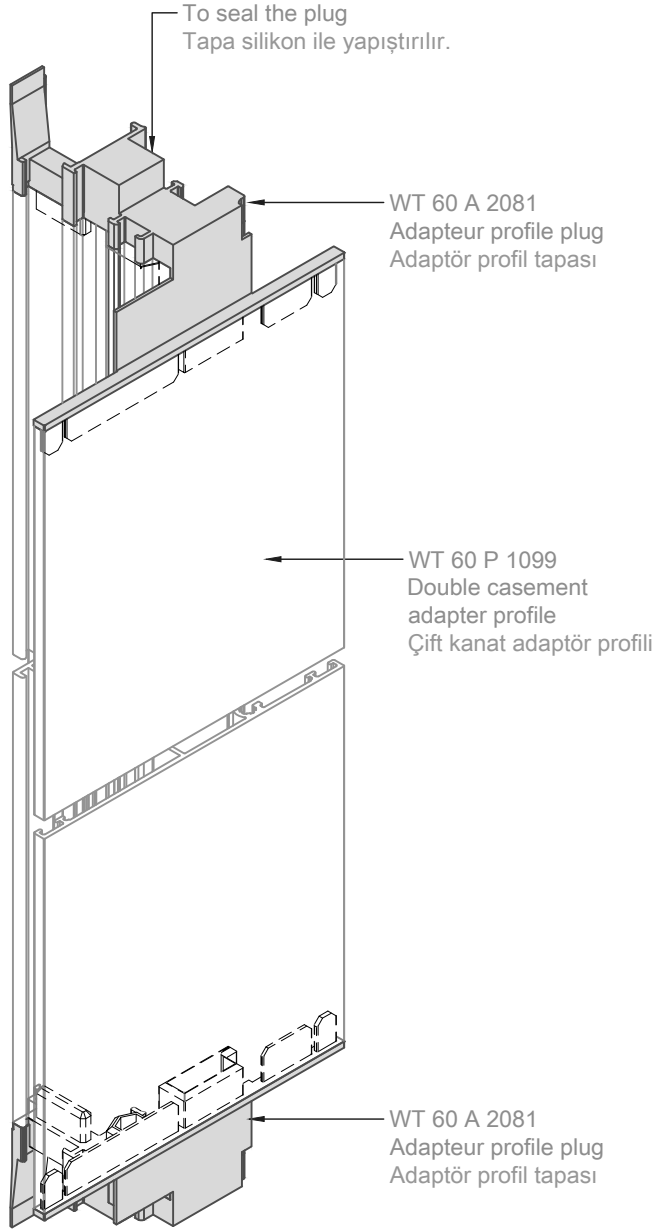
3-Applying central gasket and compressing overhanging

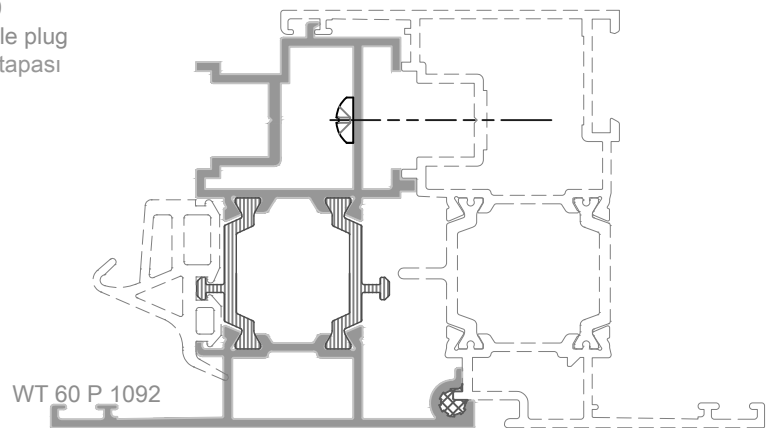
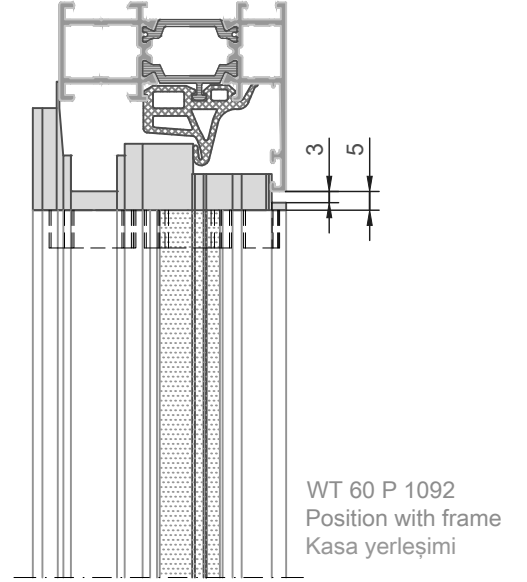
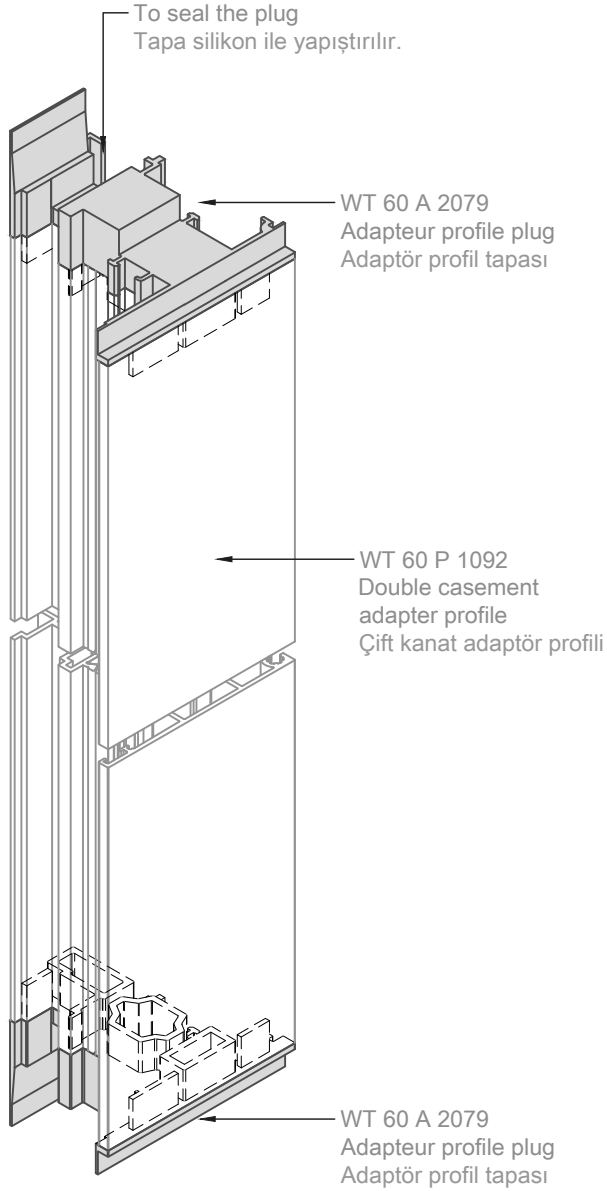
Merkezi contayı sıkıştırma yapılarak yerine takılır.

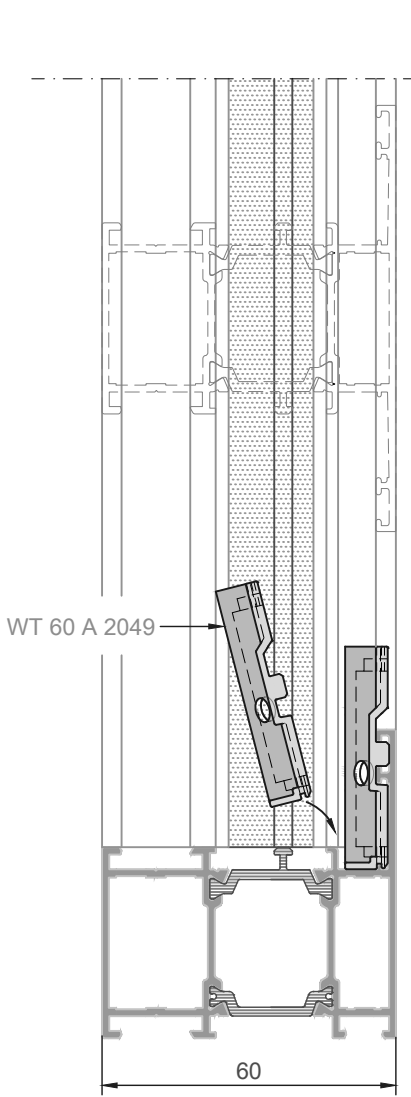
4-Glueing mitres by means of glue for corner connections

Köşeli birleşen conta uçları yapıştırılarak birleştirilmelidir.

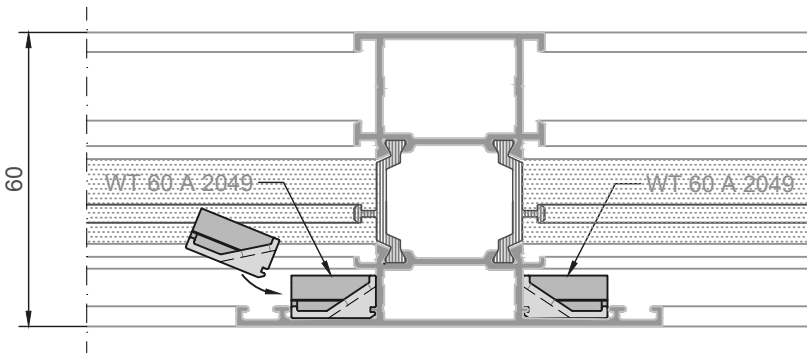








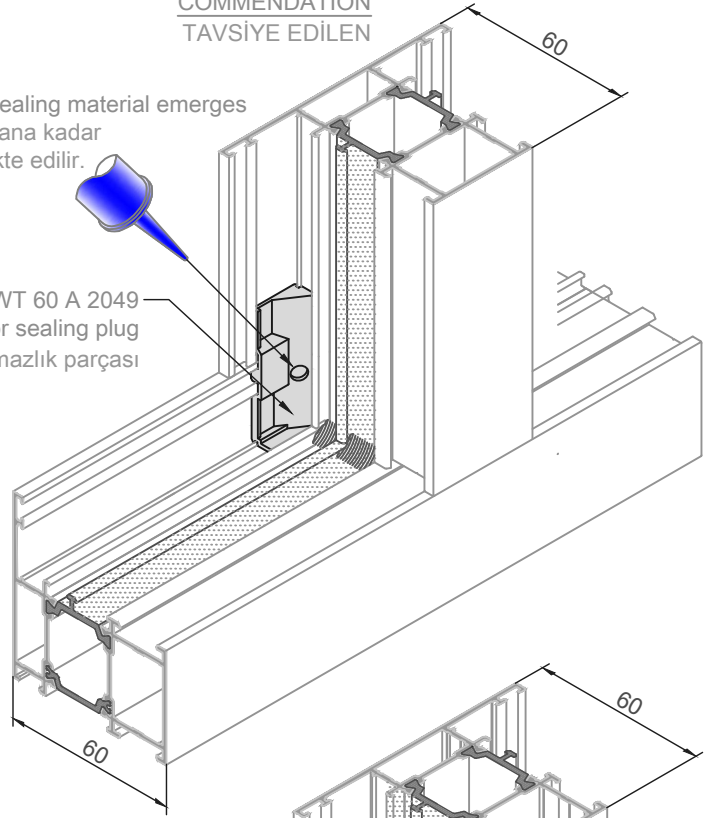
Application of synthetic sealing pieces is only necessary in water bearing level
Pvc sızdırmazlık parçası yalnızca su taşıma düzeyinde kullanılır



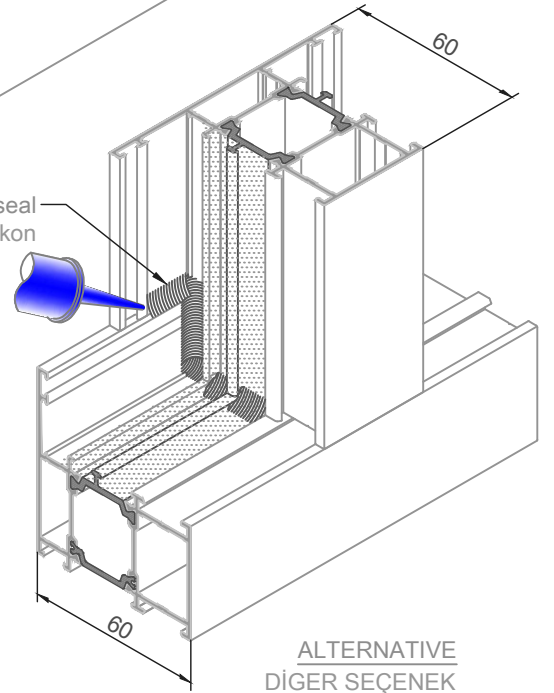
COMMENDATION TAVSİYE EDİLEN

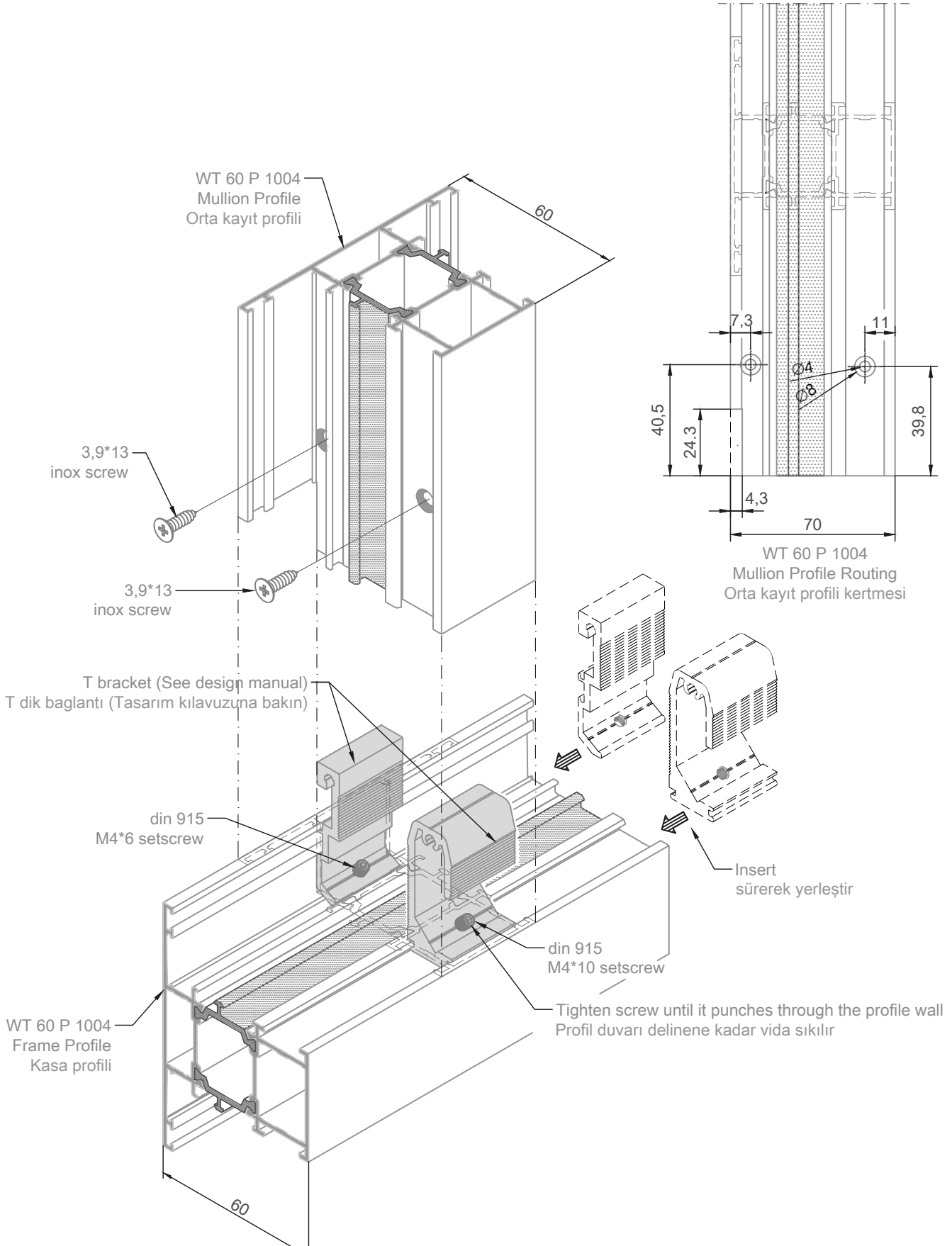
Inject until sealing material emerges
Delikten taşana kadar
silikon enjekte edilir.

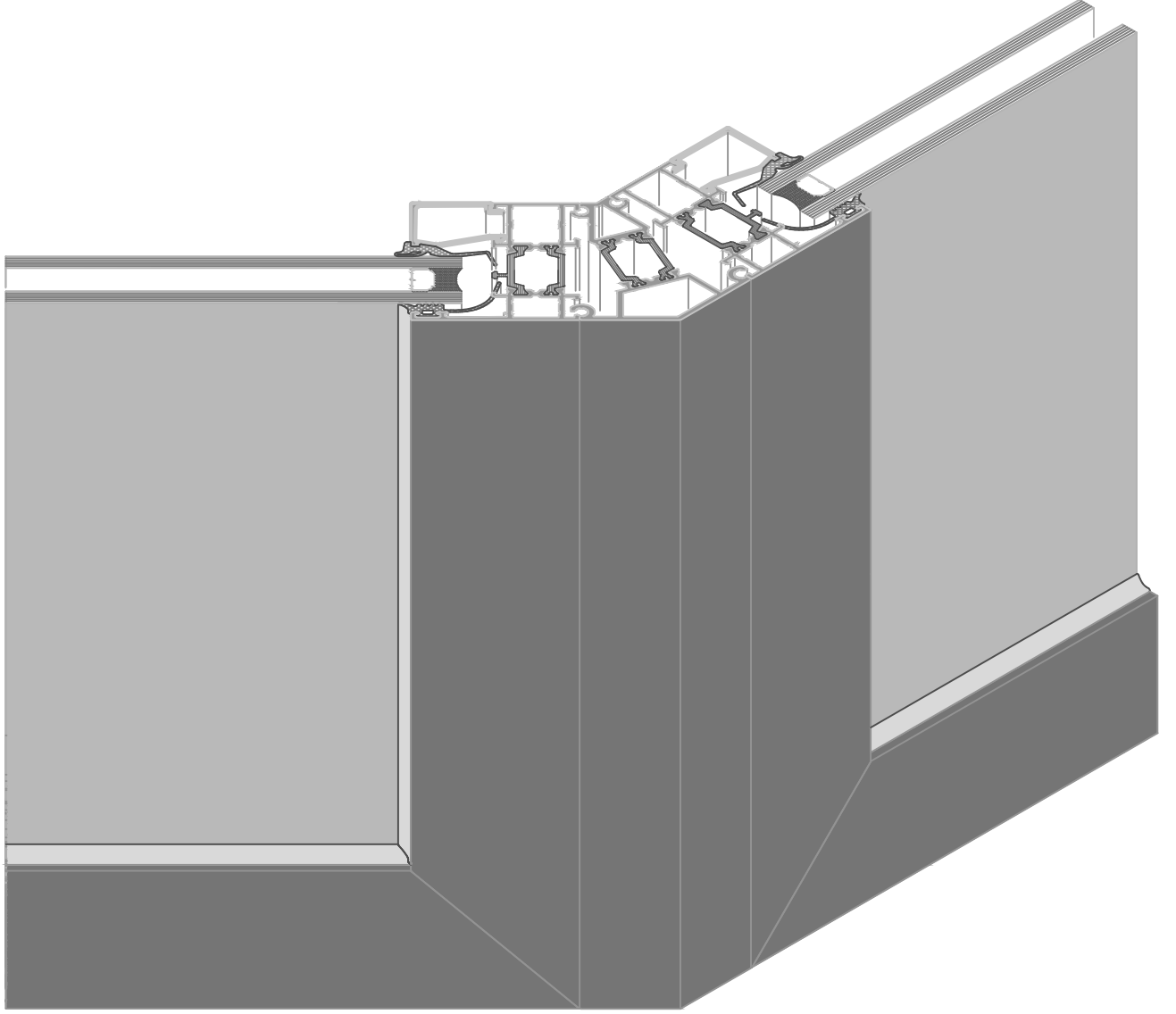
WT 60 A 2049
Interior sealing plug
İç sızdırmazlık parçası

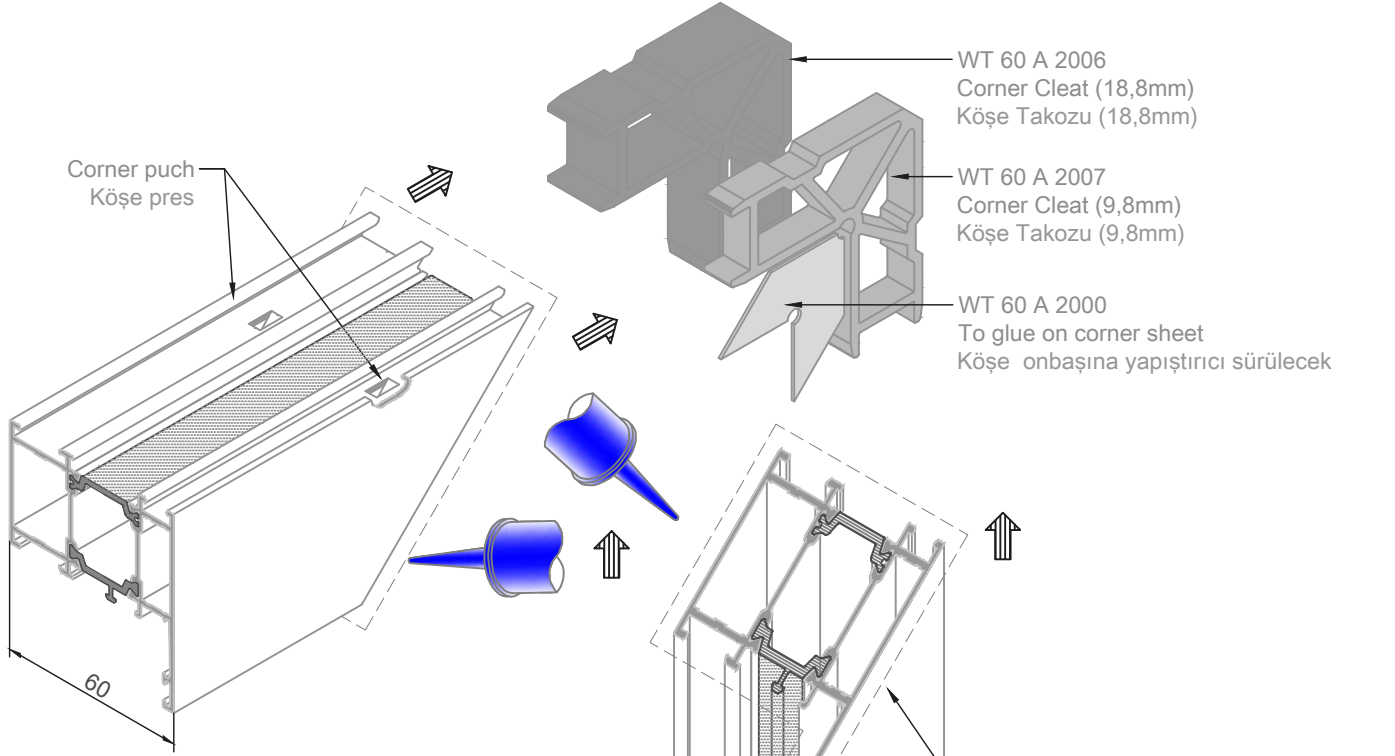


To seal
Silikon









CORNER CLEAT ASSEMBLY KÖŐE TAKOĐU UYGULAMASI

1 - Use a suitable cleaning agent

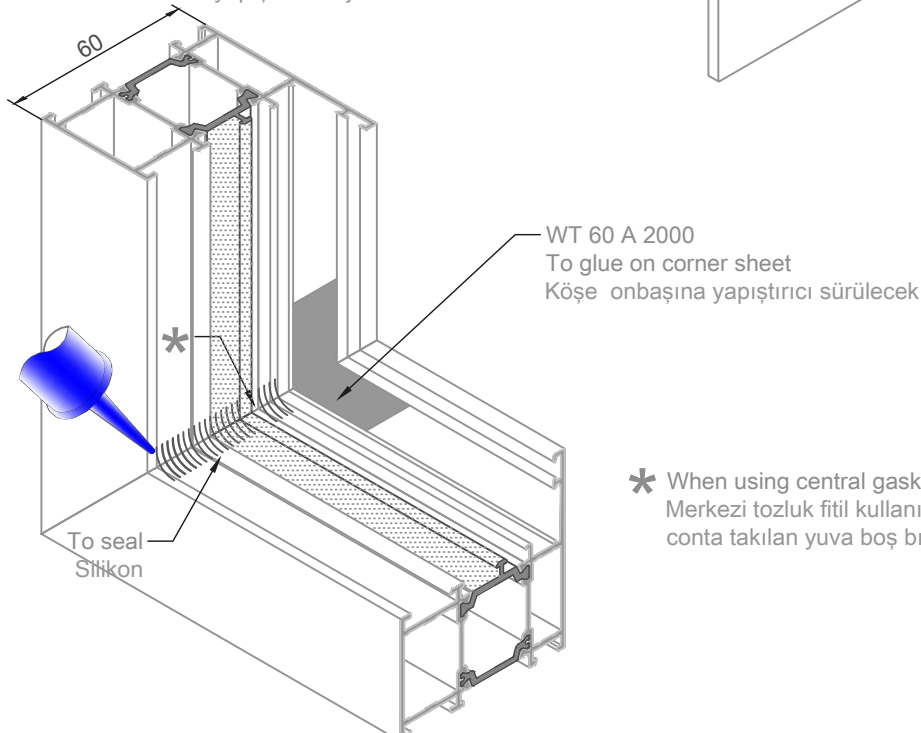
Uygun temizleyici ile kesim yüzeyi temizlenir.

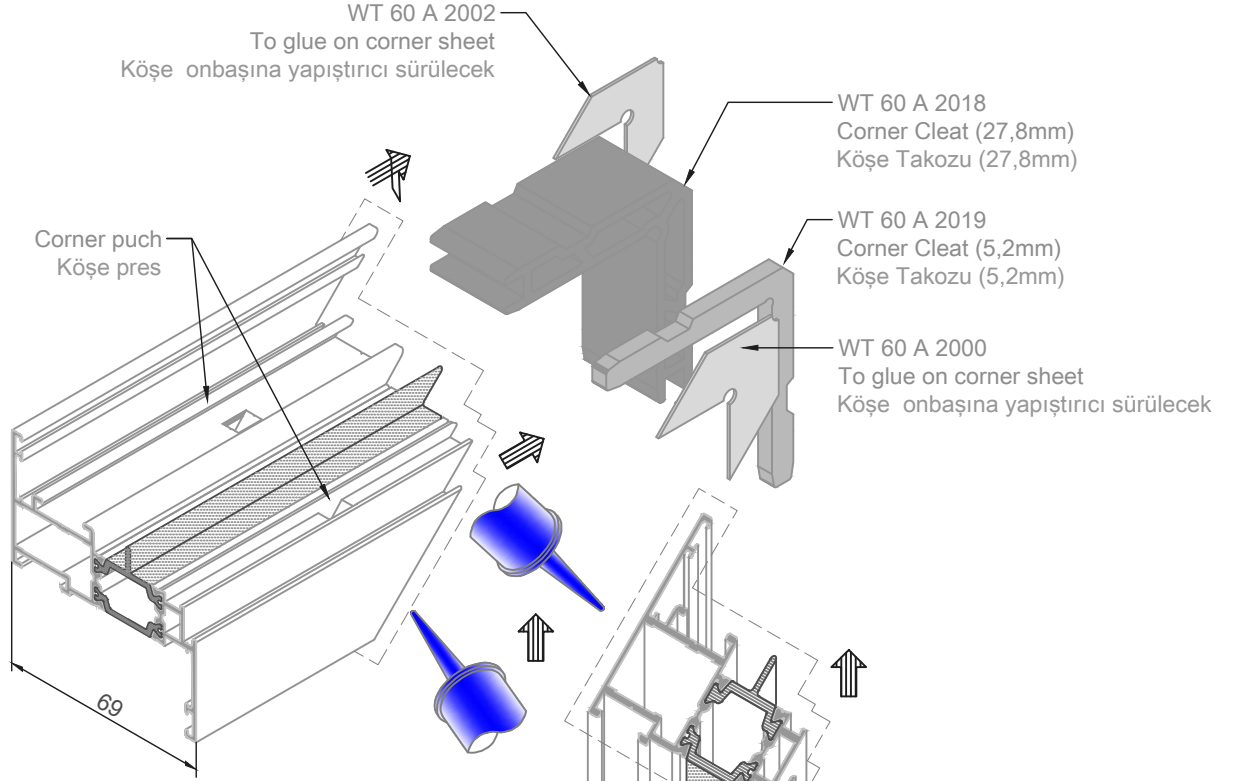
2 - Apply joint paste or glue, on cutting surface on both sides

Her iki kesim yüzeyinde yapıřtırıcı yada macun uygulanır.

3 - Inject adhesive into the front and back chambers

Ön ve arka odacıklara yapıřtırıcı enjekte edilir.





CORNER CLEAT ASSEMBLY KÖŞE TAKOZU UYGULAMASI

1 - Use a suitable cleaning agent

Uygun temizleyici ile kesim yüzeyi temizlenir.

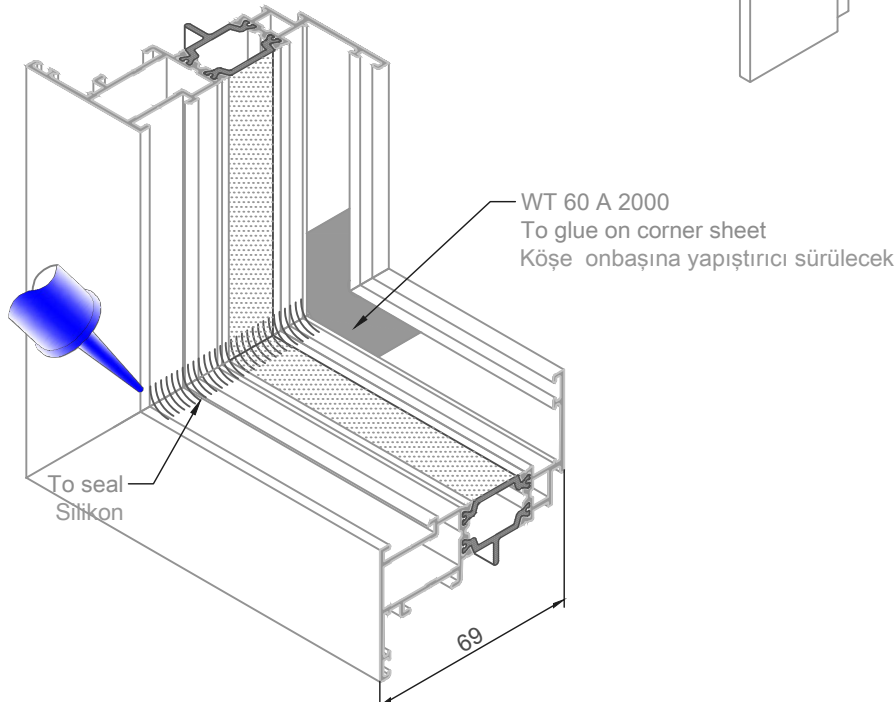
2 - Apply joint paste or glue, on cutting surface on both sides

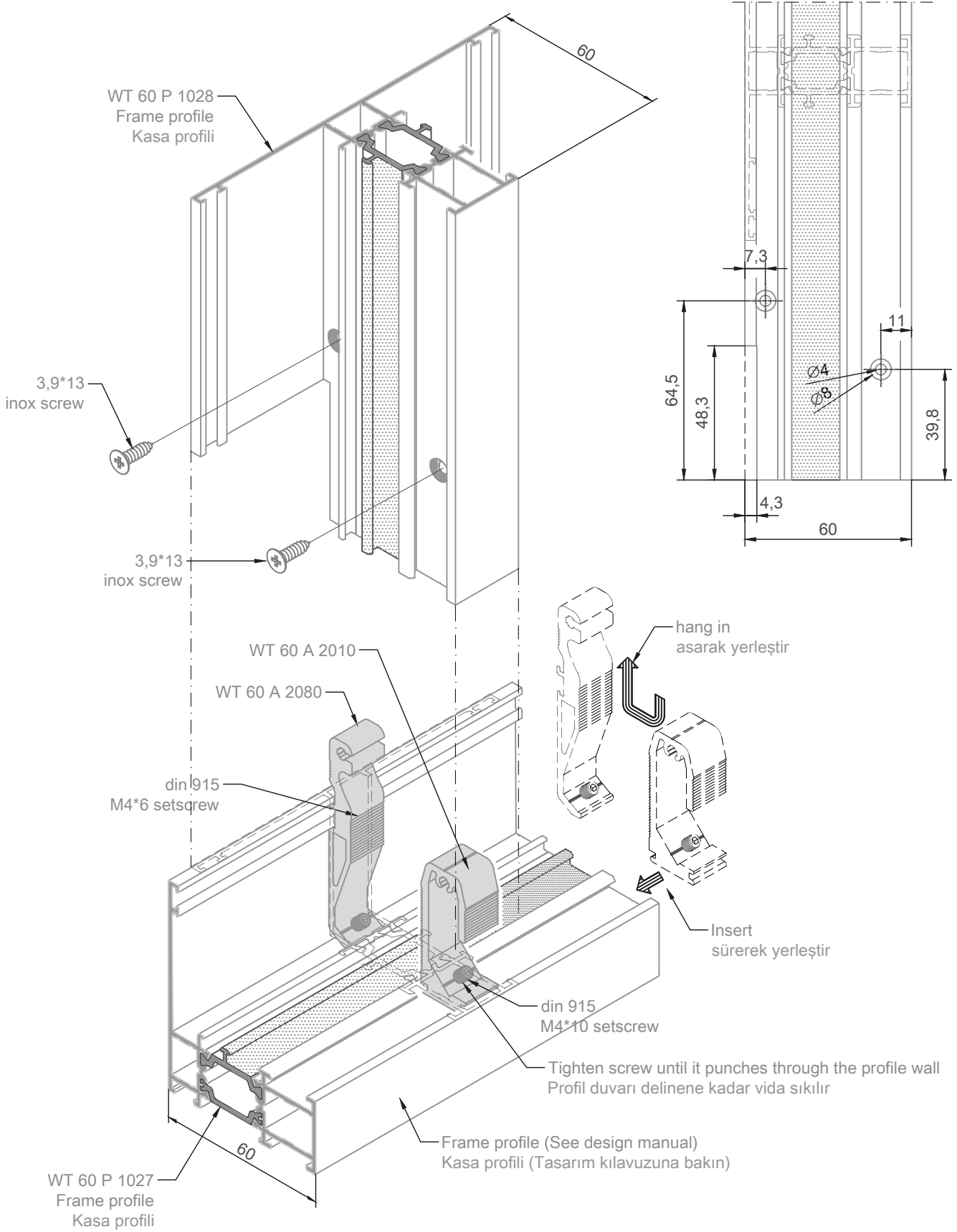
Her iki kesim yüzeyinde yapıştırıcı yada macun uygulanır.

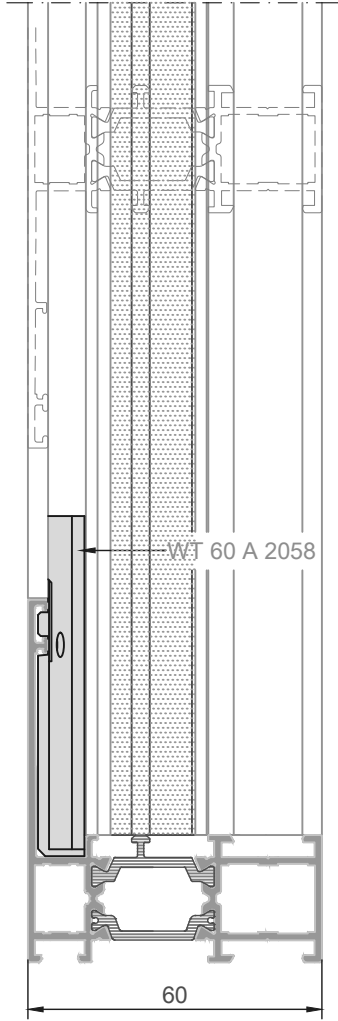
3 - Inject adhesive into the front and back chambers

Ön ve arka odacıklara yapıştırıcı enjekte edilir.

Use suitable cleaning after assembling
Köşe toplandıktan sonra köşe uygun temizleyici ile temizlenir





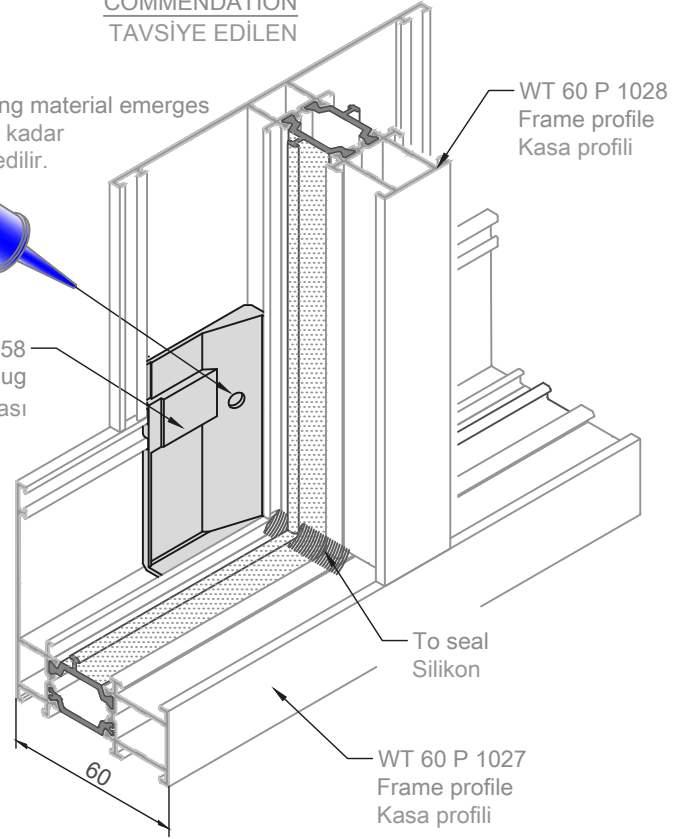


COMMENDATION TAVSİYE EDİLEN

Inject until sealing material emerges
Delikten taşana kadar
silikon enjekte edilir.

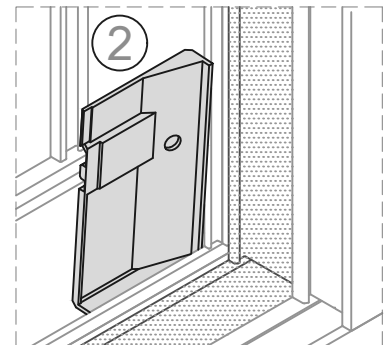
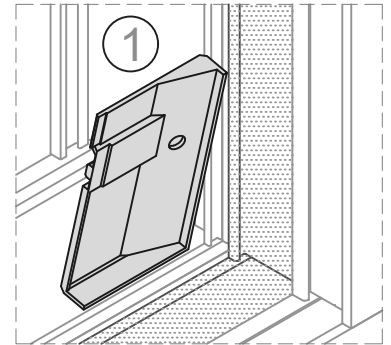
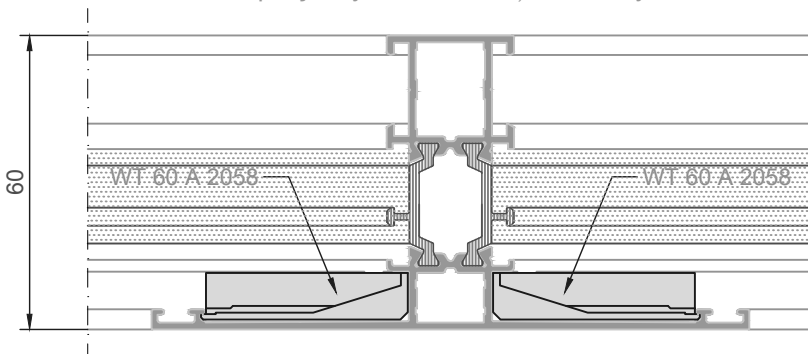


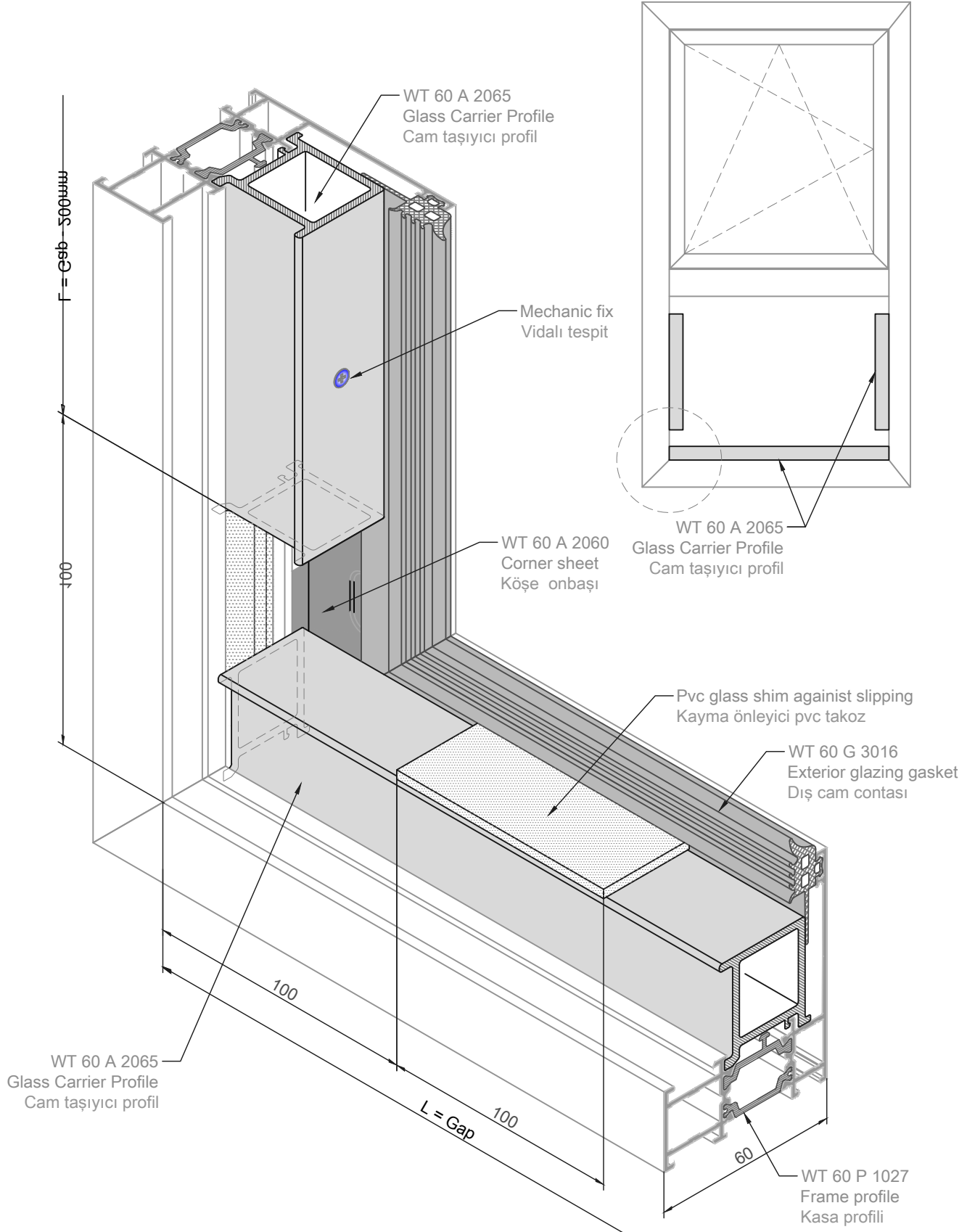
WT 60 A 2058
Interior sealing plug
İç sızdırmazlık parçası

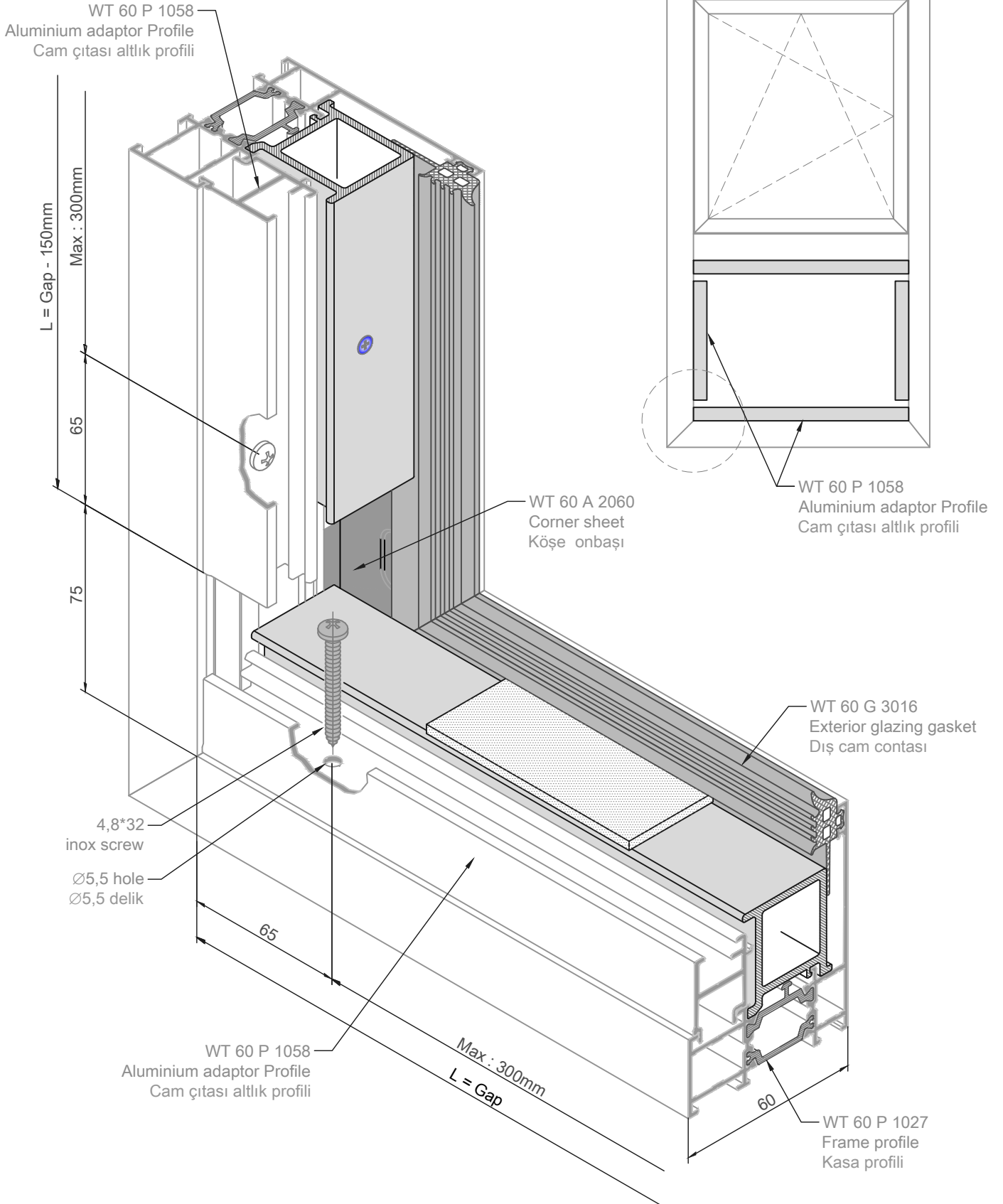


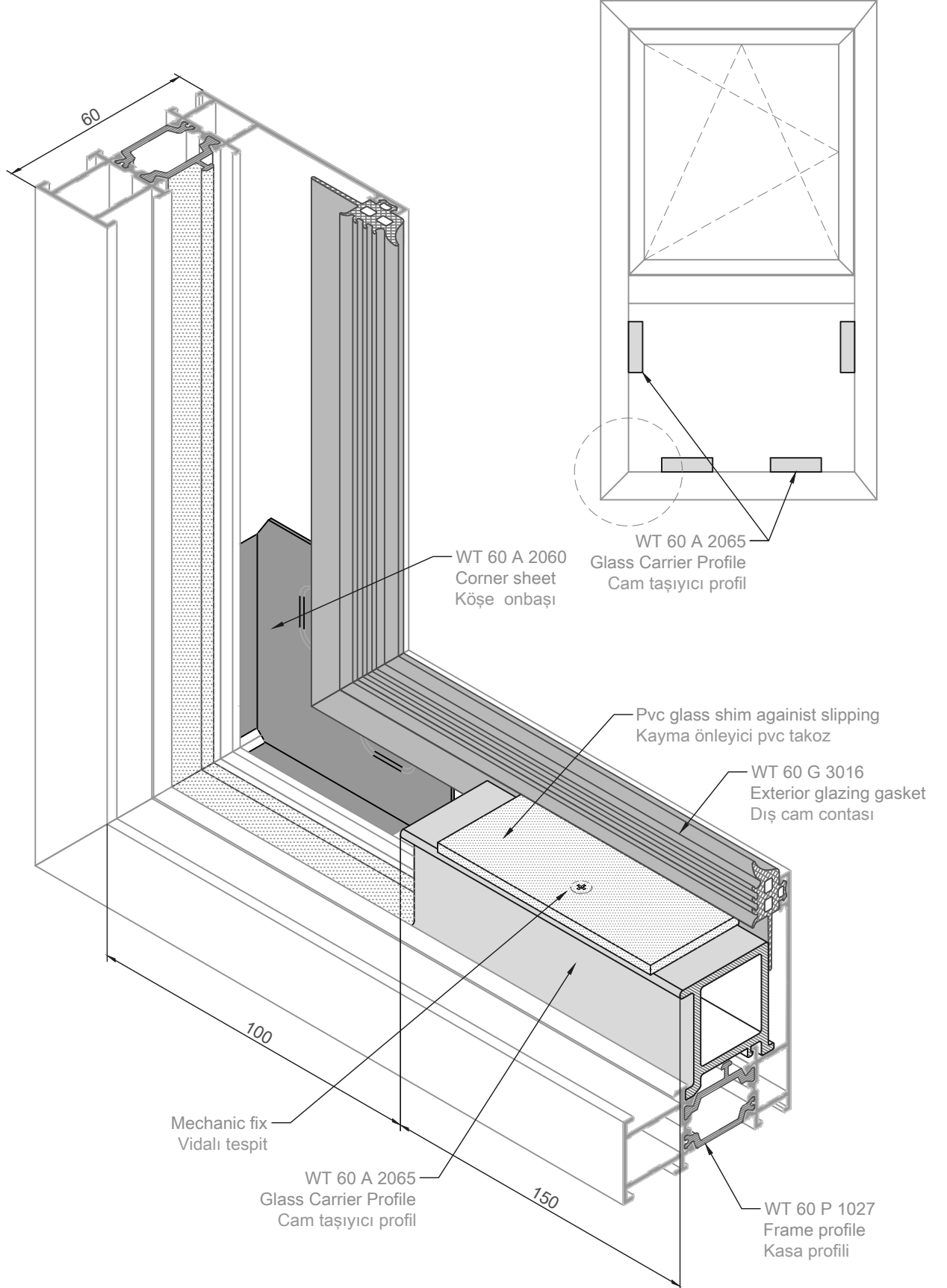
Application of synthetic sealing pieces is only
necessary in water bearing level

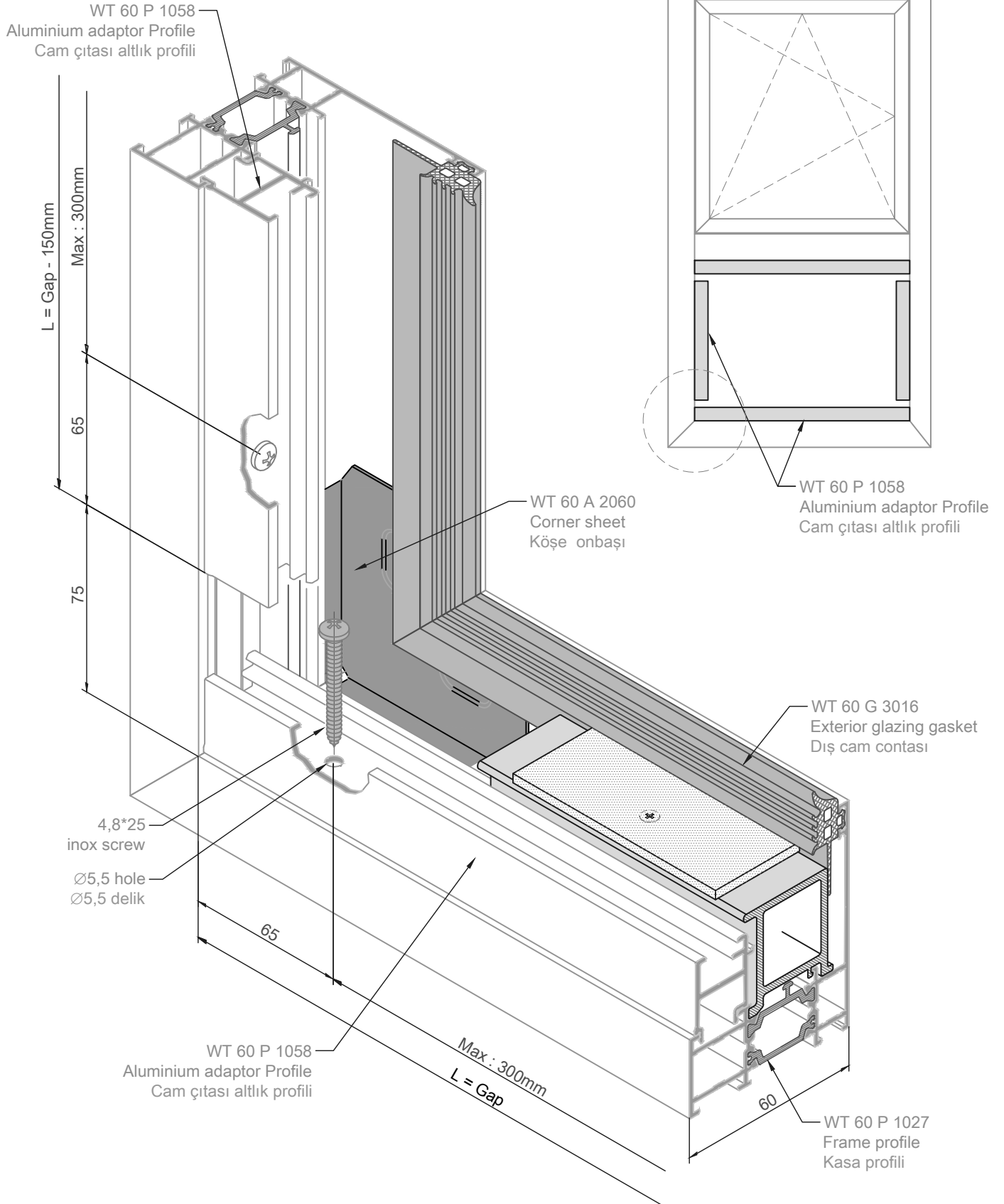
Pvc sızdırmazlık parçası yalnızca su taşıma düzeyinde kullanılır

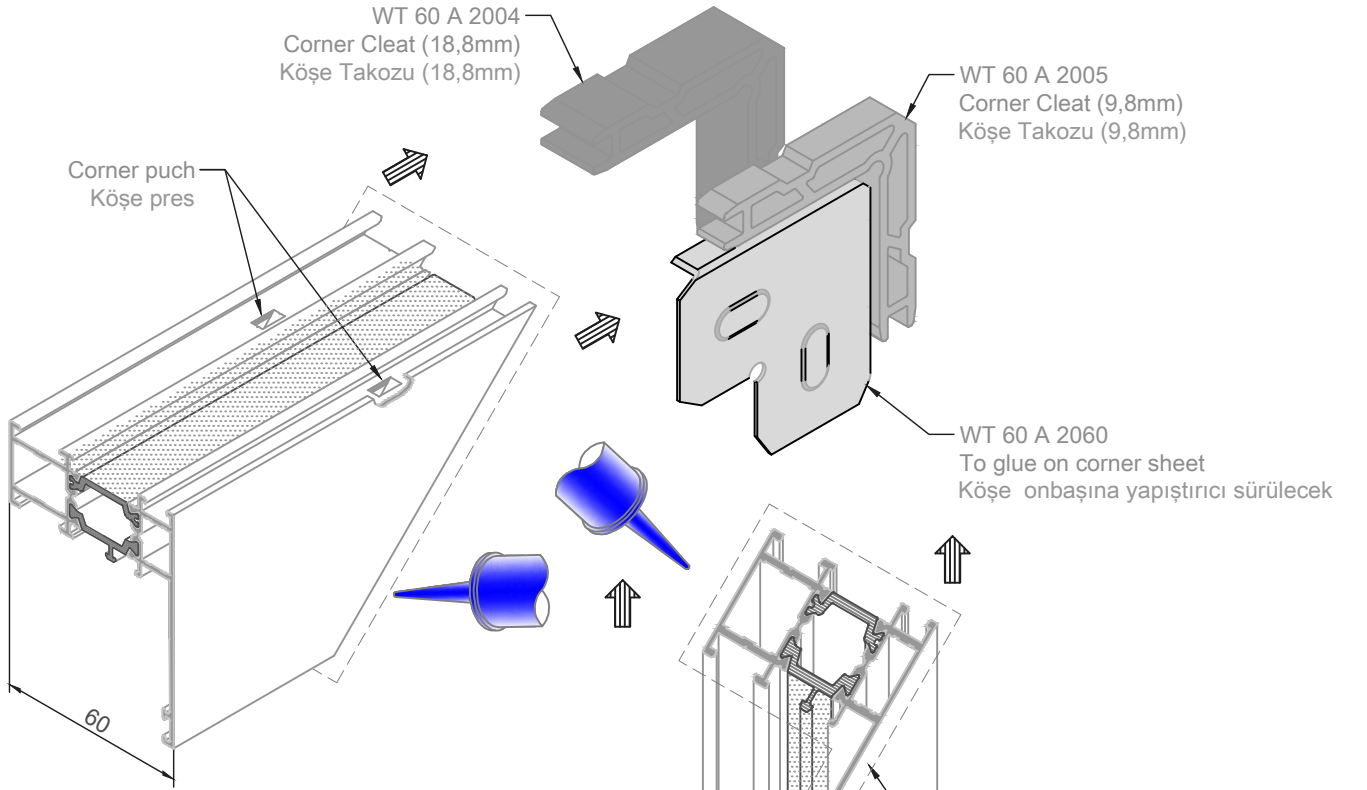












CORNER CLEAT ASSEMBLY KÖŞE TAKOZU UYGULAMASI

1 - Use a suitable cleaning agent

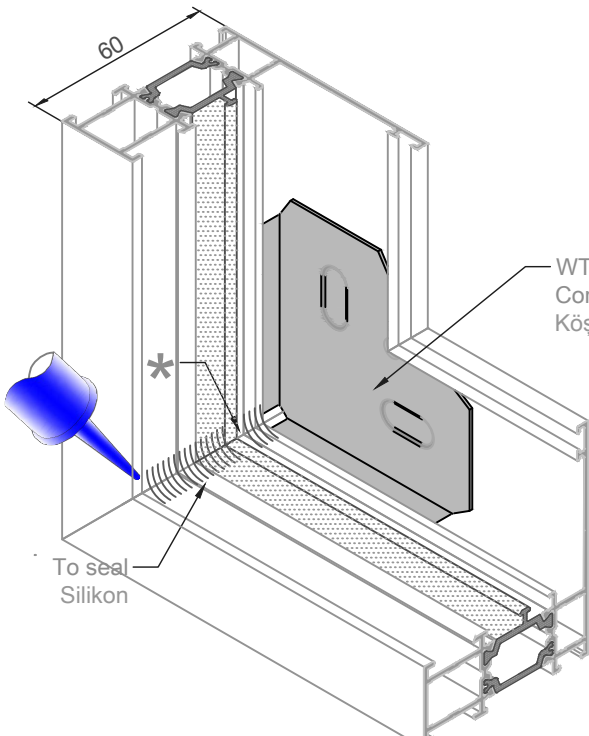
Uygun temizleyici ile kesim yüzeyi temizlenir.

2 - Apply joint paste or glue, on cutting surface on both sides Her iki kesim yüzeyinde yapıştırıcı yada macun uygulanır.

3 - Inject adhesive into the front and back chambers

Ön ve arka odacıklara yapıştırıcı enjekte edilir.

Use suitable cleaning after assembling
Köşe toplandıktan sonra köşe uygun temizleyici ile temizlenir



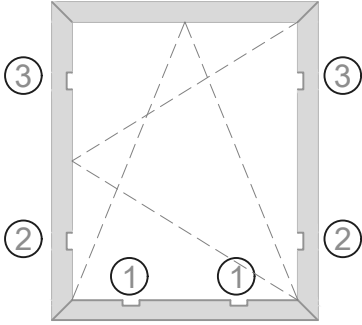
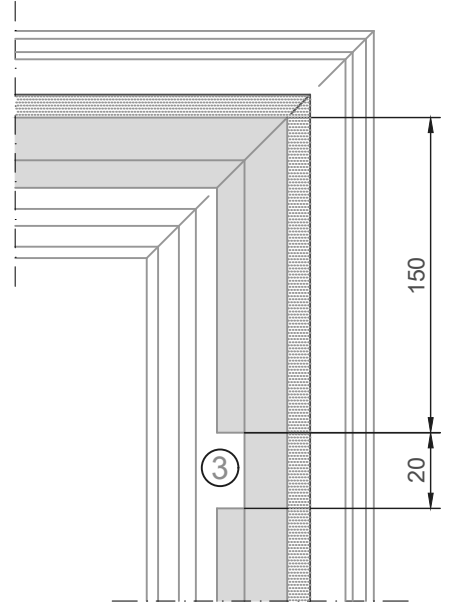
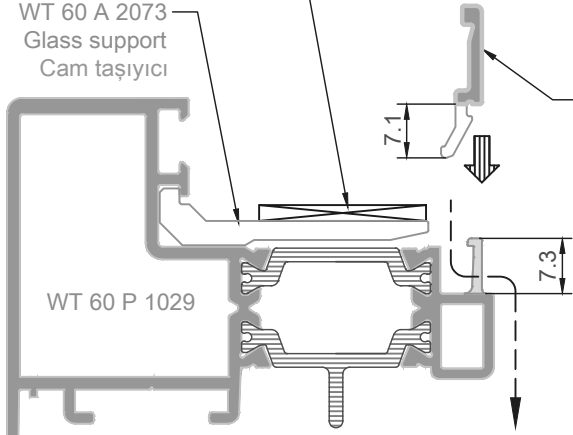
* When using central gasket, leave the groove empty
Merkezi tozluk fitil kullanılması durumunda, conta takılan yuva boş bırakılır

Pvc glass shim against slipping
Kayma önleyici pvc takoz

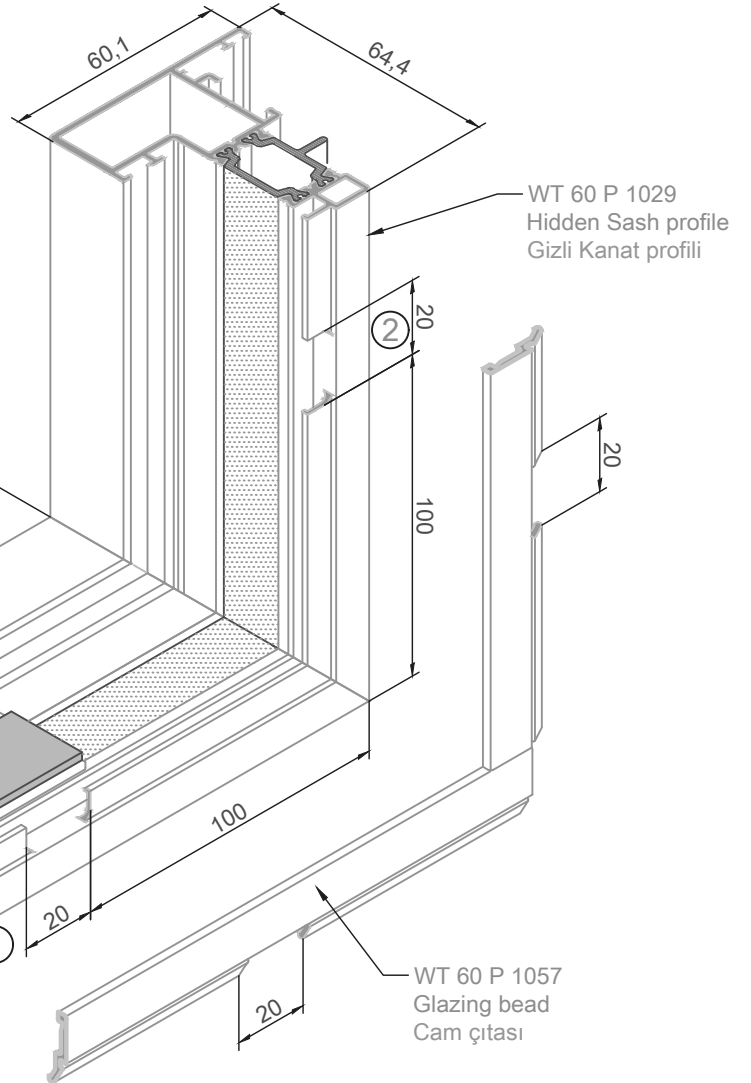
WT 60 A 2073
Glass support
Cam taşıyıcı

WT 60 P 1057
Glazing bead
Cam çitası

WT 60 P 1029



Sash profile water, decompression holes assembling
Kanat profili üzerinde su ve basınç delik yerleşimi

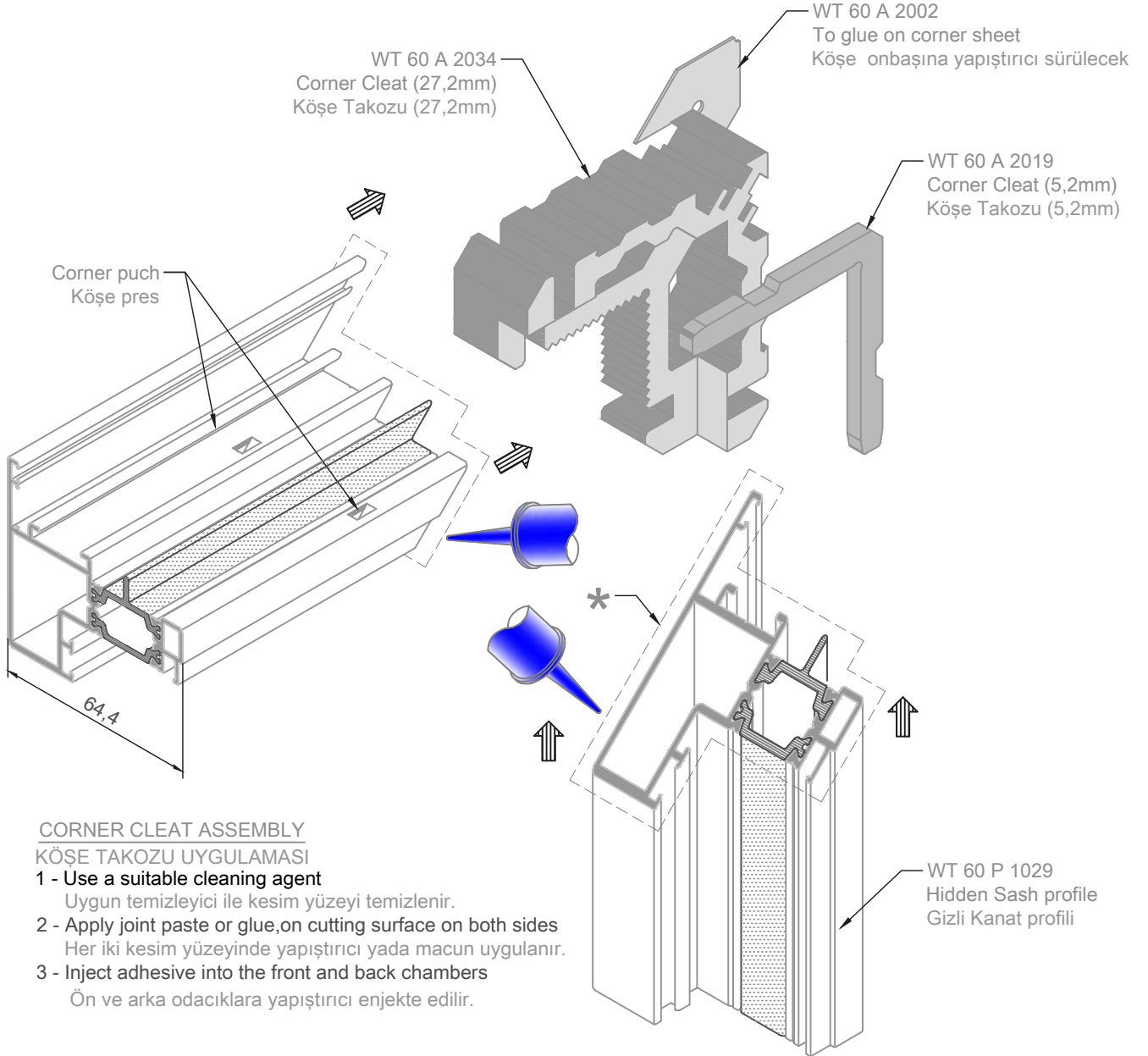


WT 60 P 1029
Hidden Sash profile
Gizli Kanat profili

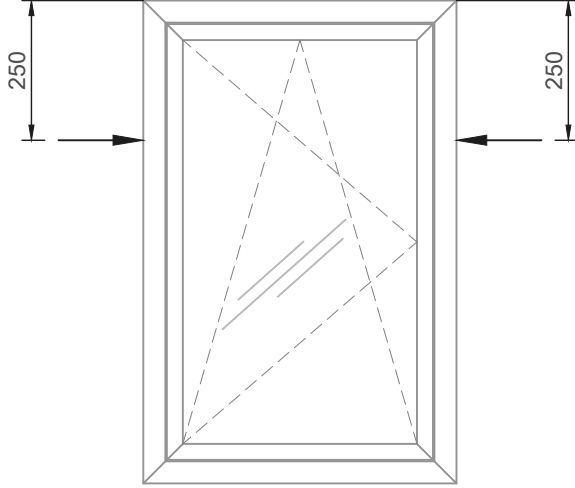
Pvc glass shim against slipping
Kayma önleyici pvc takoz

WT 60 A 2073
Glass support
Cam taşıyıcı

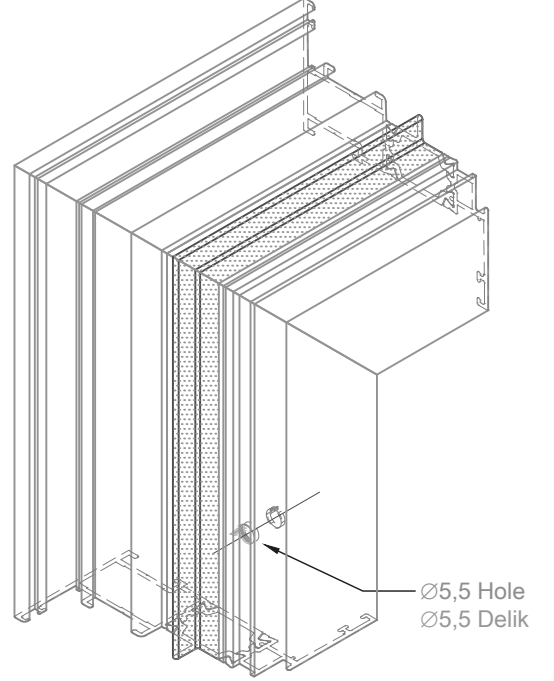
WT 60 P 1057
Glazing bead
Cam çitası



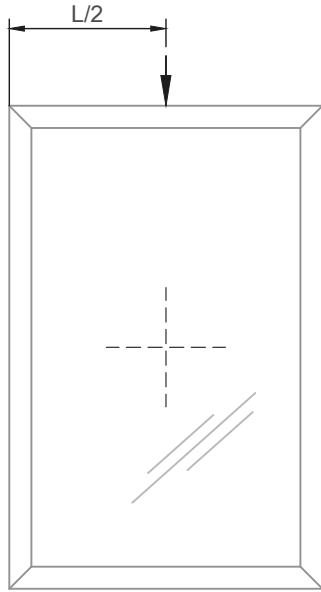
* Use suitable cleaning after assembling
Köşe toplandıktan sonra köşe uygun
temizleyici ile temizlenir



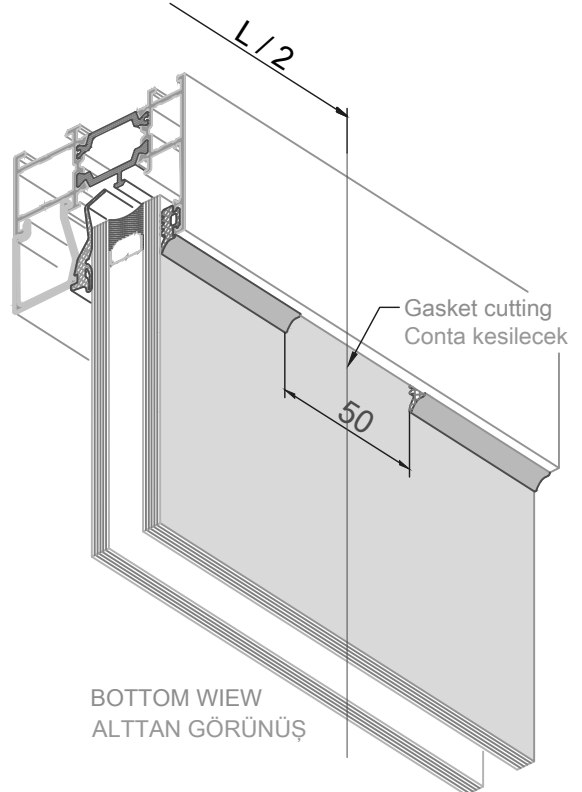
DECOMPRESSION IN SASH
KANAT ÜZERİNDE BASINÇ Dengeleme



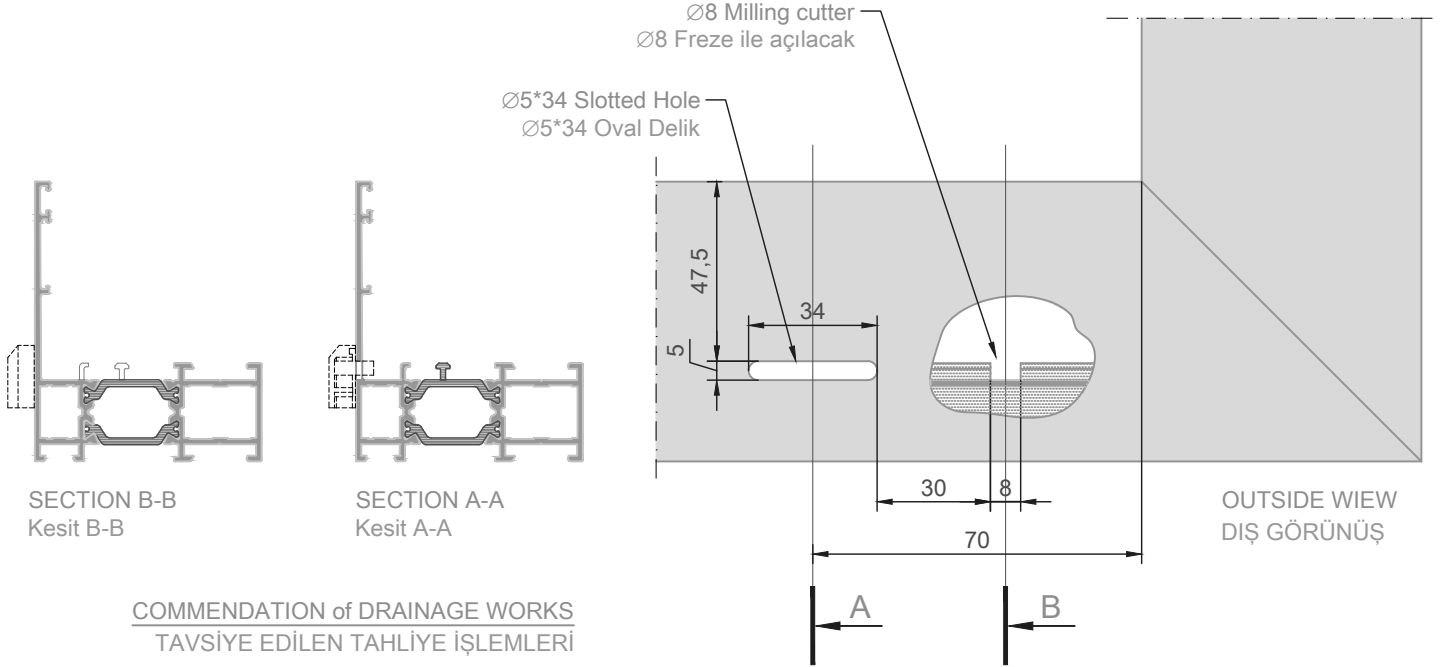
CORNER WIEW
KÖŞE GÖRÜNÜŞÜ



DECOMPRESSION IN FIXED WINDOW
SABİT PENCEREDE BASINÇ Dengeleme

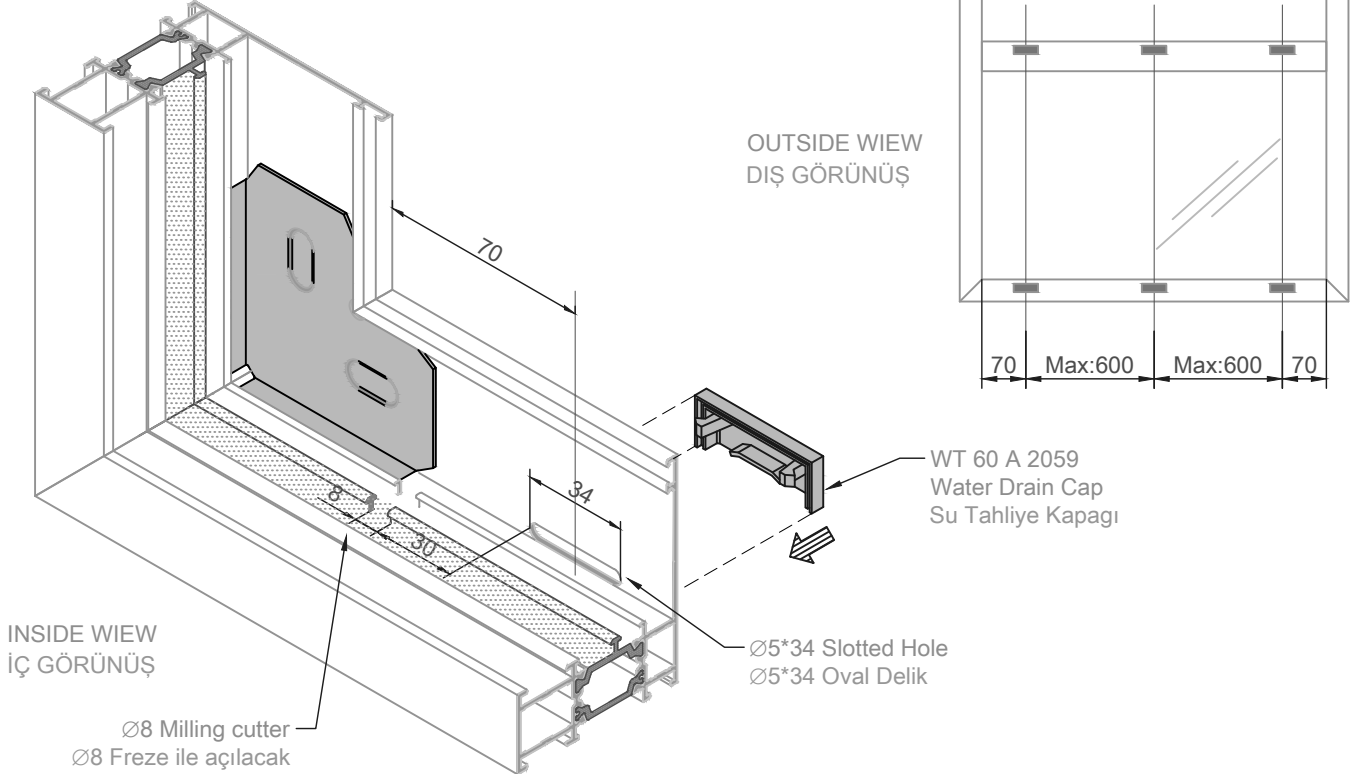


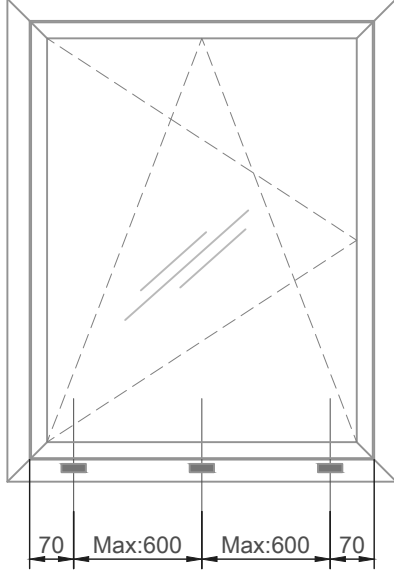
BOTTOM WIEW
ALT TAN GÖRÜNÜŞÜ



COMMENDATION of DRAINAGE WORKS TAVSİYE EDİLEN TAHLİYE İŞLEMLERİ

- 1 - Correct punching, drilling or milling
Belirtilen delikler için uygun pres freze, kертme yapılmalı.
- 2 - Deburring and Removing dust and saw-dust (if necessary)
Çapaklar ve testere tozları alınmalı (eger gerekli ise)
- 3 - Degreasing with degreaser
Yağ artıkları yağ çözücü ile temizlenmeli
- 4 - Applying anti-corrosion product
Korozyon önleyici ürün uygulanmalı

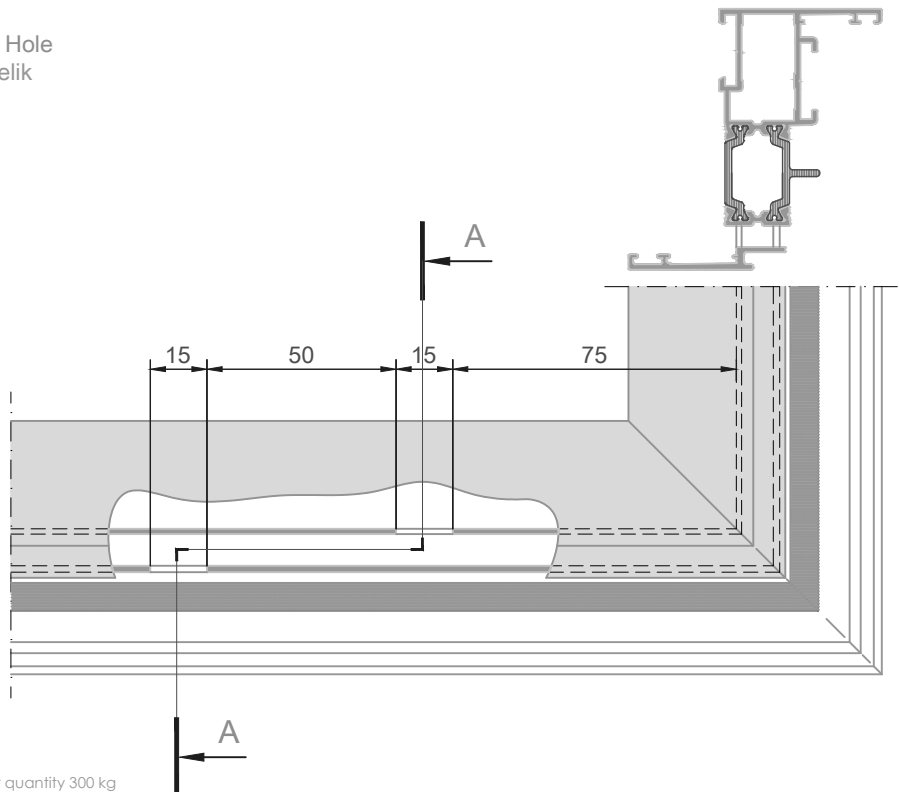
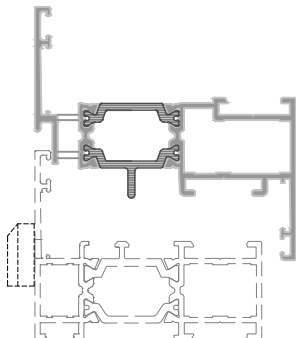
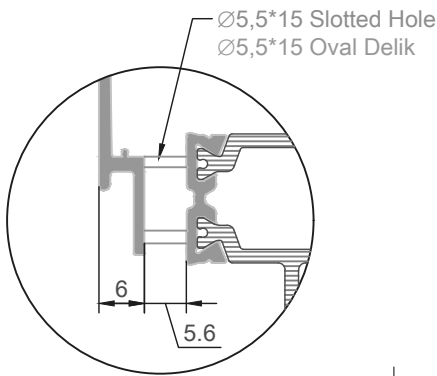
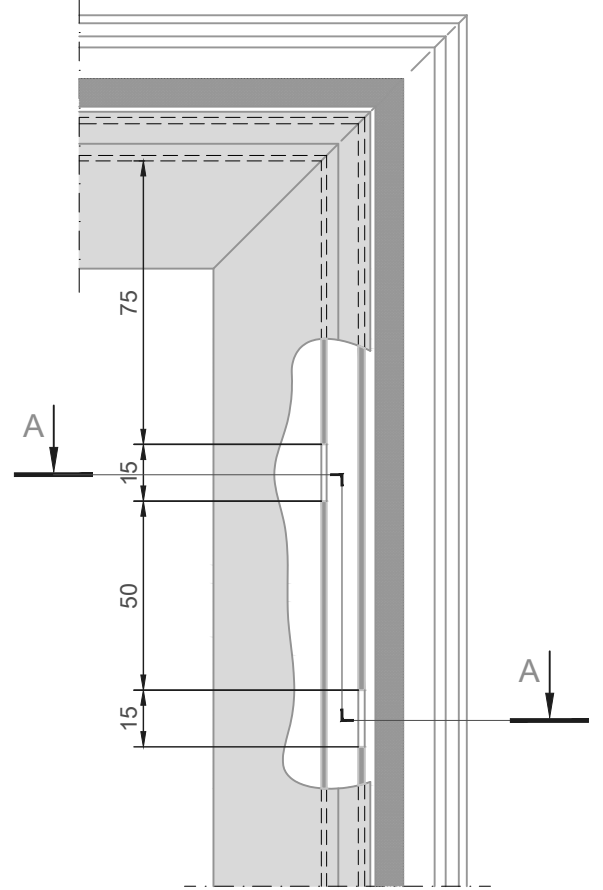




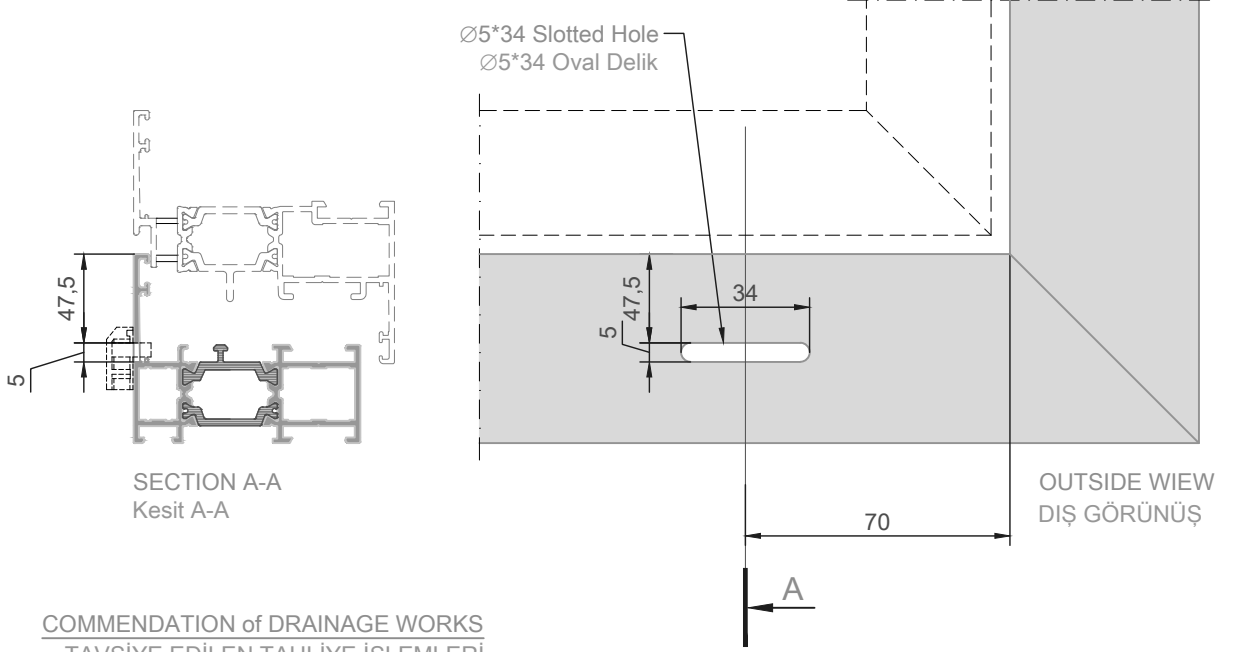
OUTSIDE VIEW
DIŞ GÖRÜNÜŞ

COMMENDATION of DRAINAGE WORKS TAVSİYE EDİLEN TAHLİYE İŞLEMLERİ

- 1 - Correct punching, drilling or milling
Belirtilen delikler için uygun pres freze, kертme yapılmalı.
- 2 - Deburring and Removing dust and saw-dust (if necessary)
Çapaklar ve testere tozları alınmalı (eger gerekli ise)
- 3 - Degreasing with degreaser
Yag artıkları yag çözücü ile temizlenmeli
- 4 - Applying anti-corrosion product
Korozyon önleyici ürün uygulanmalı

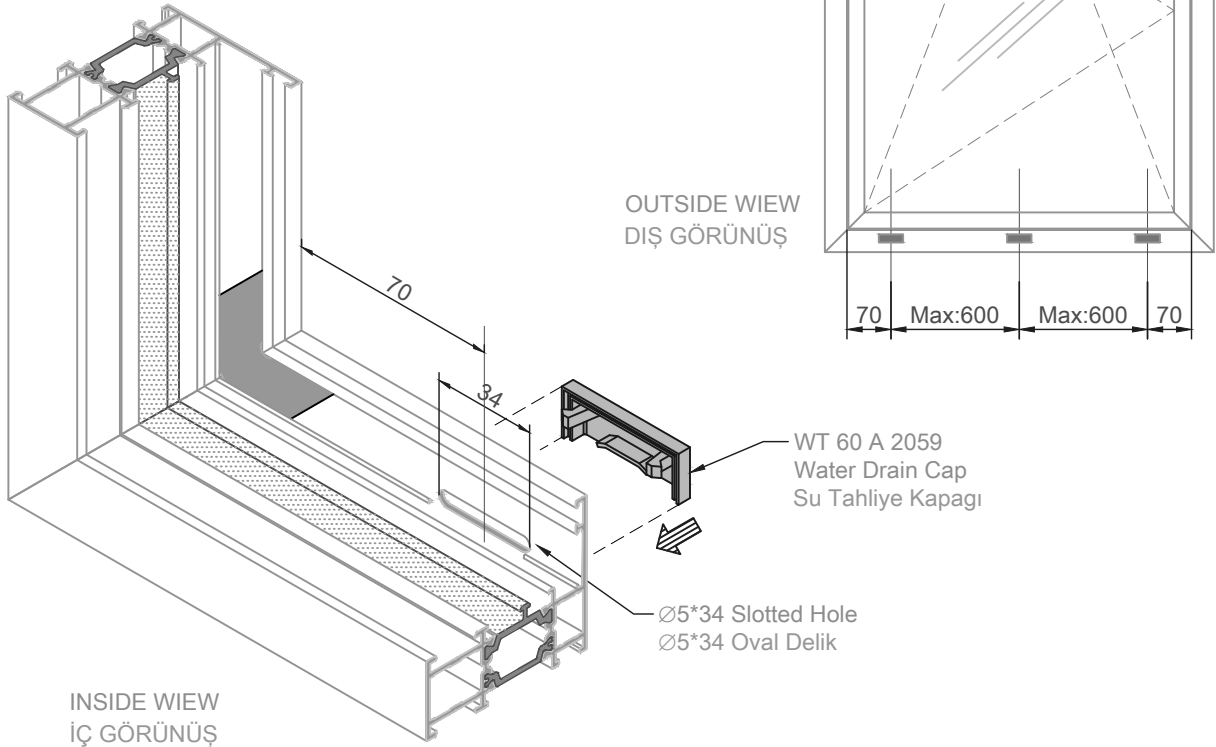


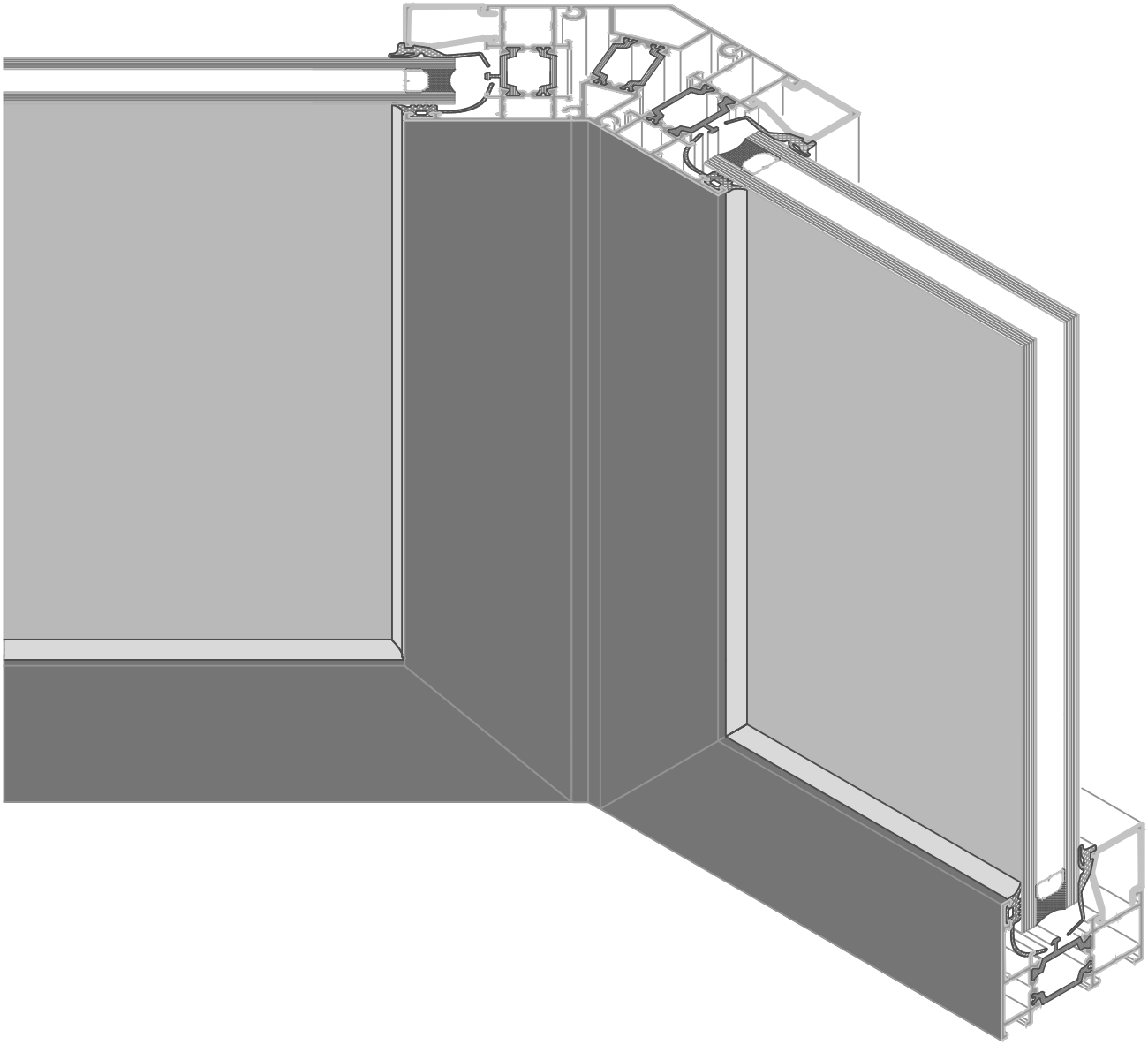
Sipariş miktar minimum 300 kg dir. / Minimum order quantity 300 kg
Uyarı: Profil ağırlıklarımız teorik olup ; teslim anındaki tartımız geçerlidir. / Warning: The weights of profile is theoretical, weighting at the time of delivery are valid

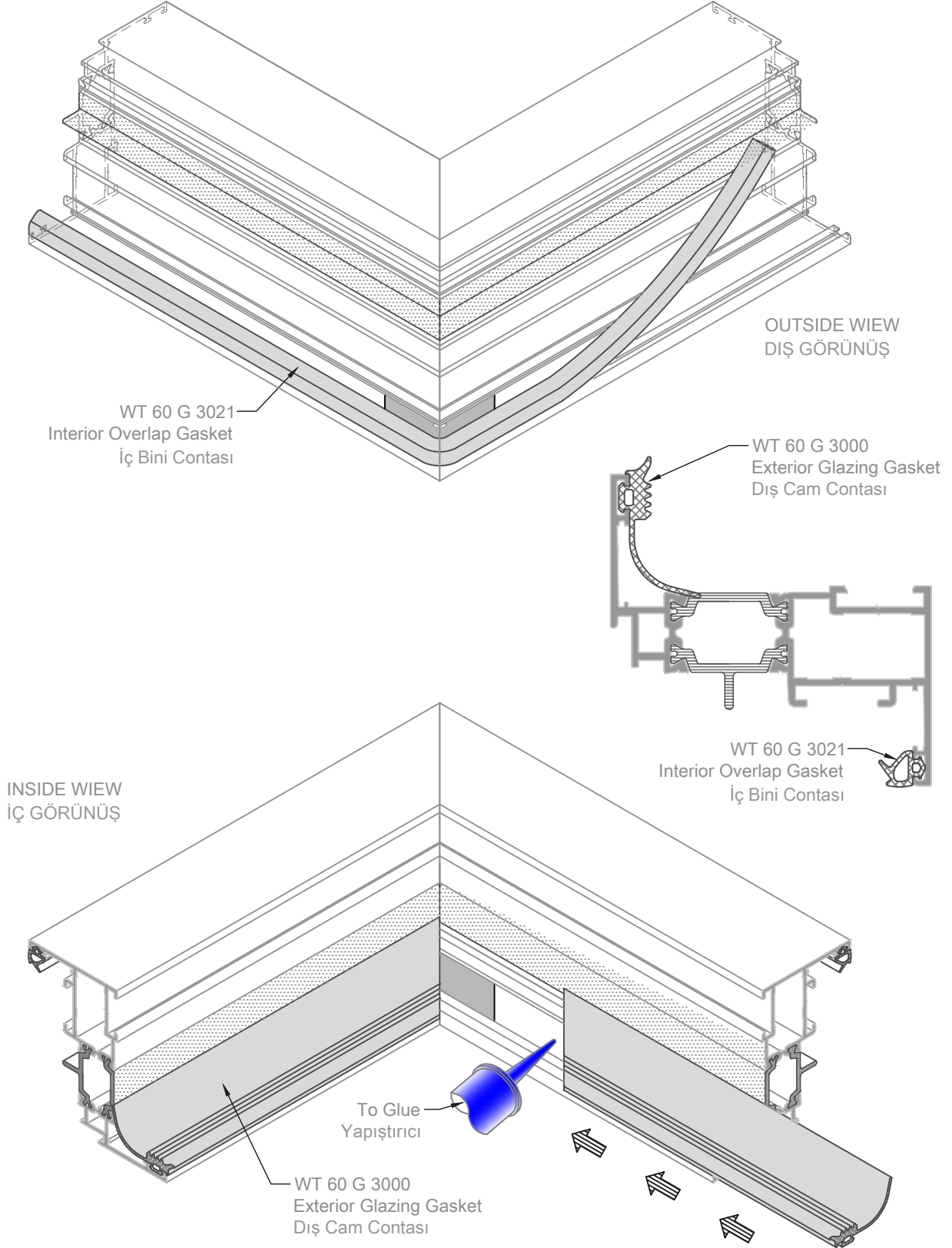


COMMENDATION of DRAINAGE WORKS TAVSİYE EDİLEN TAHLİYE İŞLEMLERİ

- 1 - Correct punching, drilling or milling
Belirtilen delikler için uygun pres freze, kertme yapılmalı.
- 2 - Deburring and Removing dust and saw-dust (if necessary)
Çapaklar ve testere tozları alınmalı (eger gerekli ise)
- 3 - Degreasing with degreaser
Yağ artıkları yağ çözücü ile temizlenmeli
- 4 - Applying anti-corrosion product
Korozyon önleyici ürün uygulanmalı



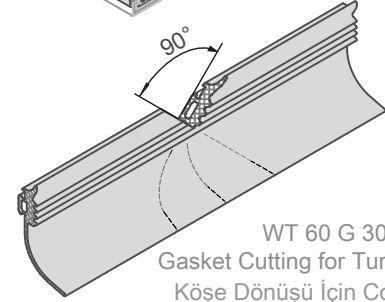




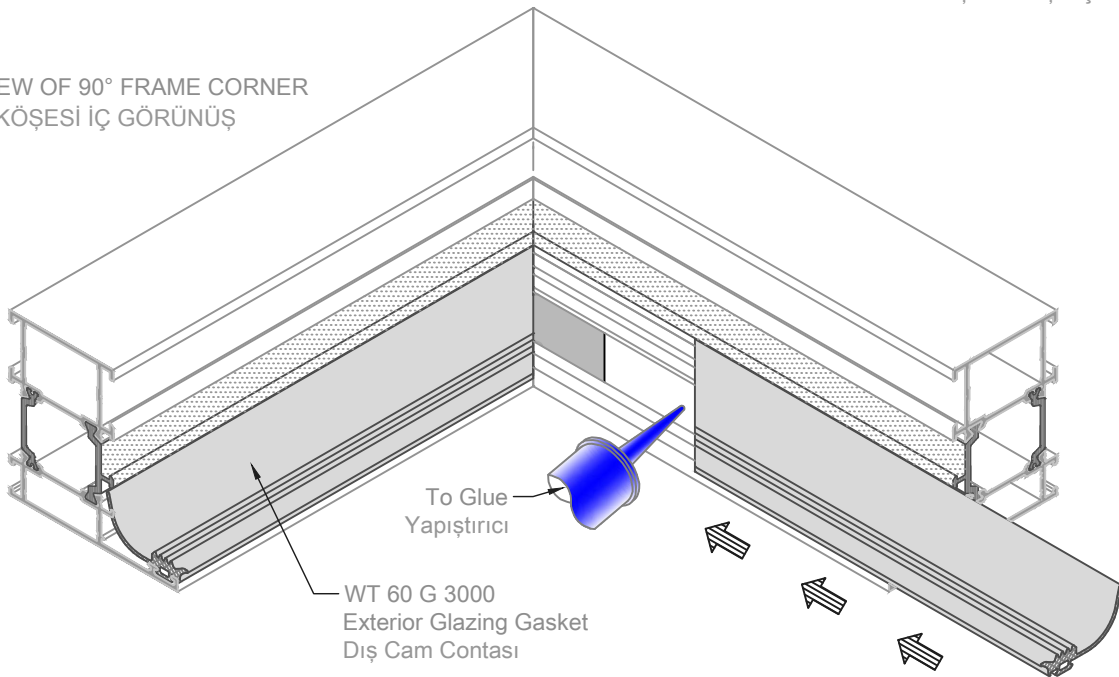
Adjust the Gasket on the Corner
Conta Köşe dönüşü uyacak
şekilde ayarlanır

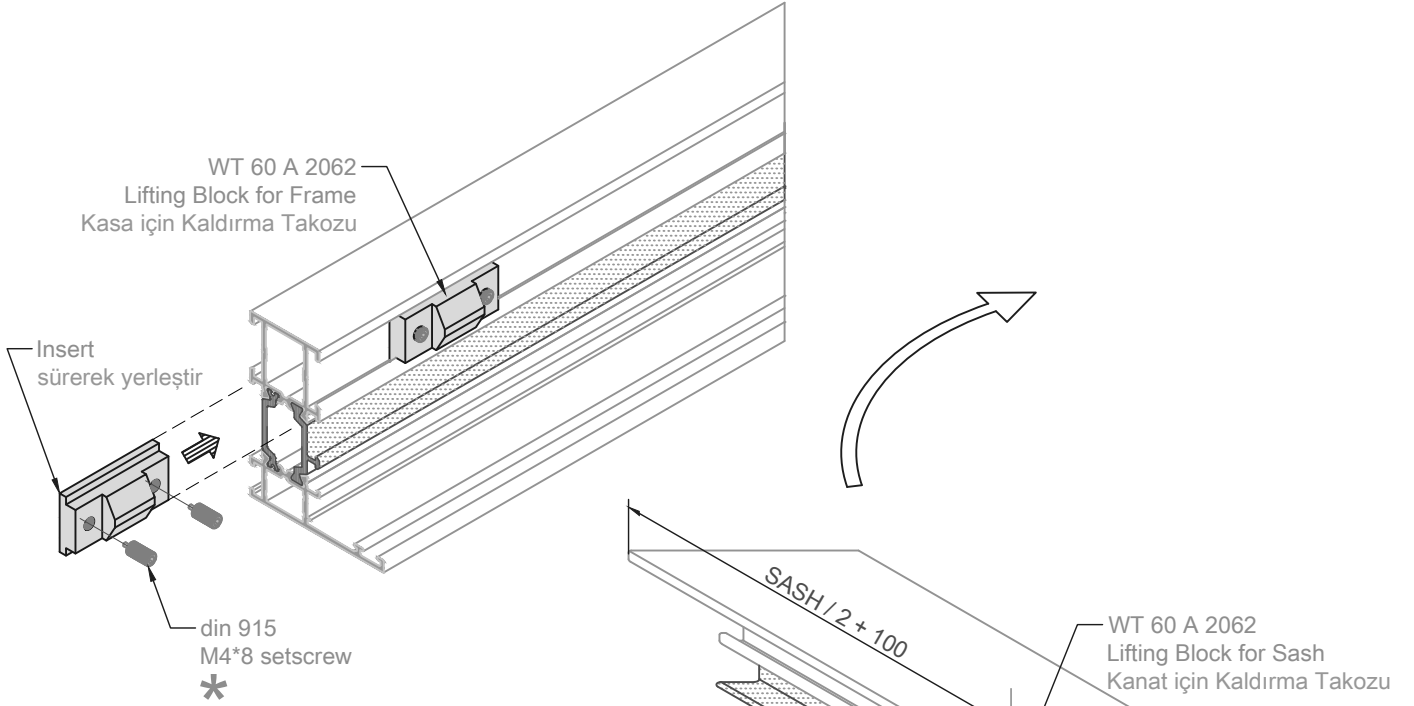
INSIDE VIEW OF T-JOINTS FRAME
T BİRLEŞİM KASA İÇ GÖRÜNÜŞÜ

WT 60 G 3000
Exterior Glazing Gasket
Dış Cam Contası

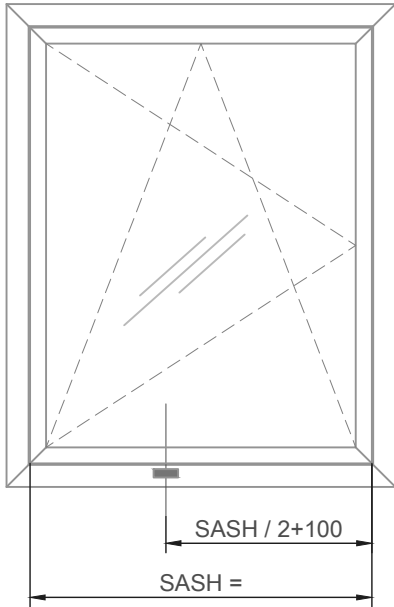


INSIDE VIEW OF 90° FRAME CORNER
90° KASA KÖŞESİ İÇ GÖRÜNÜŞÜ





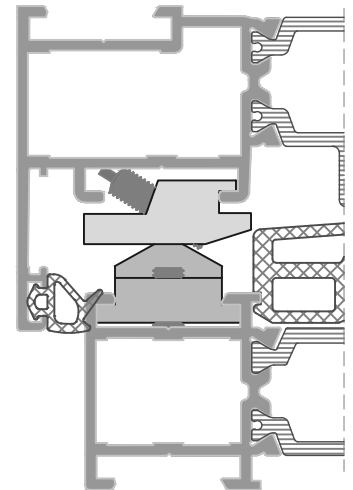
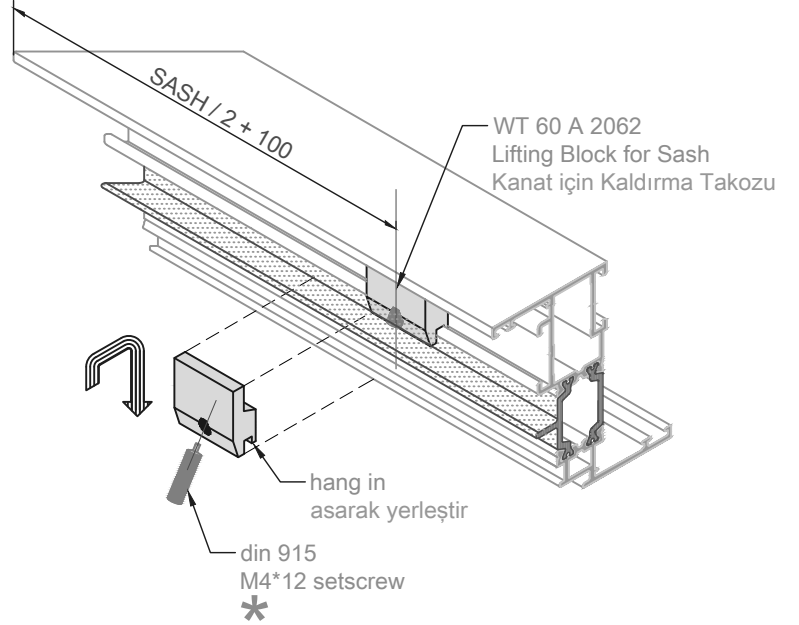
* Tighten screw until it punches through the profile wall
Profil duvarı delinene kadar vida sıkılır

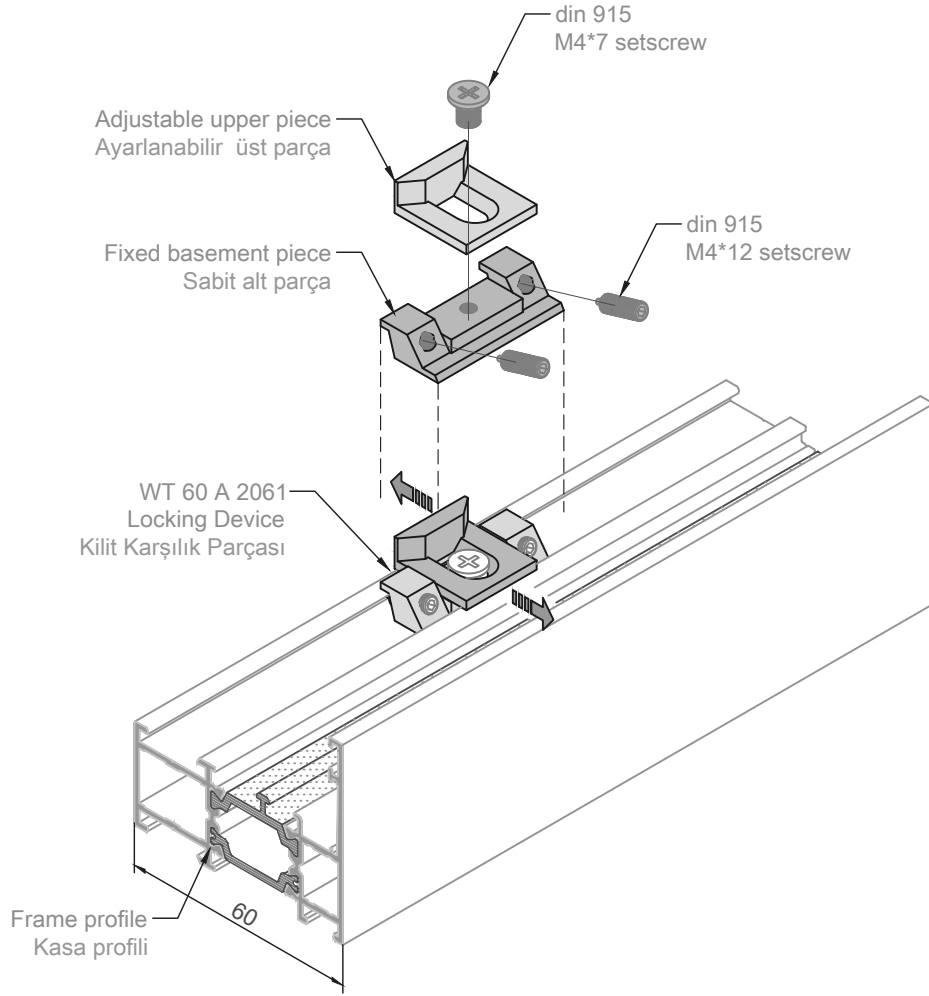


OUTSIDE WIEW
DIŞ GÖRÜNÜŞ

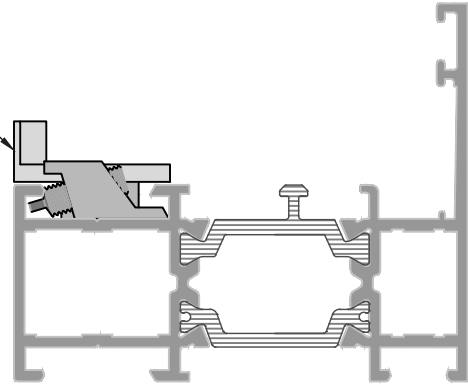
for all accessories: if SASH > 1200 mm

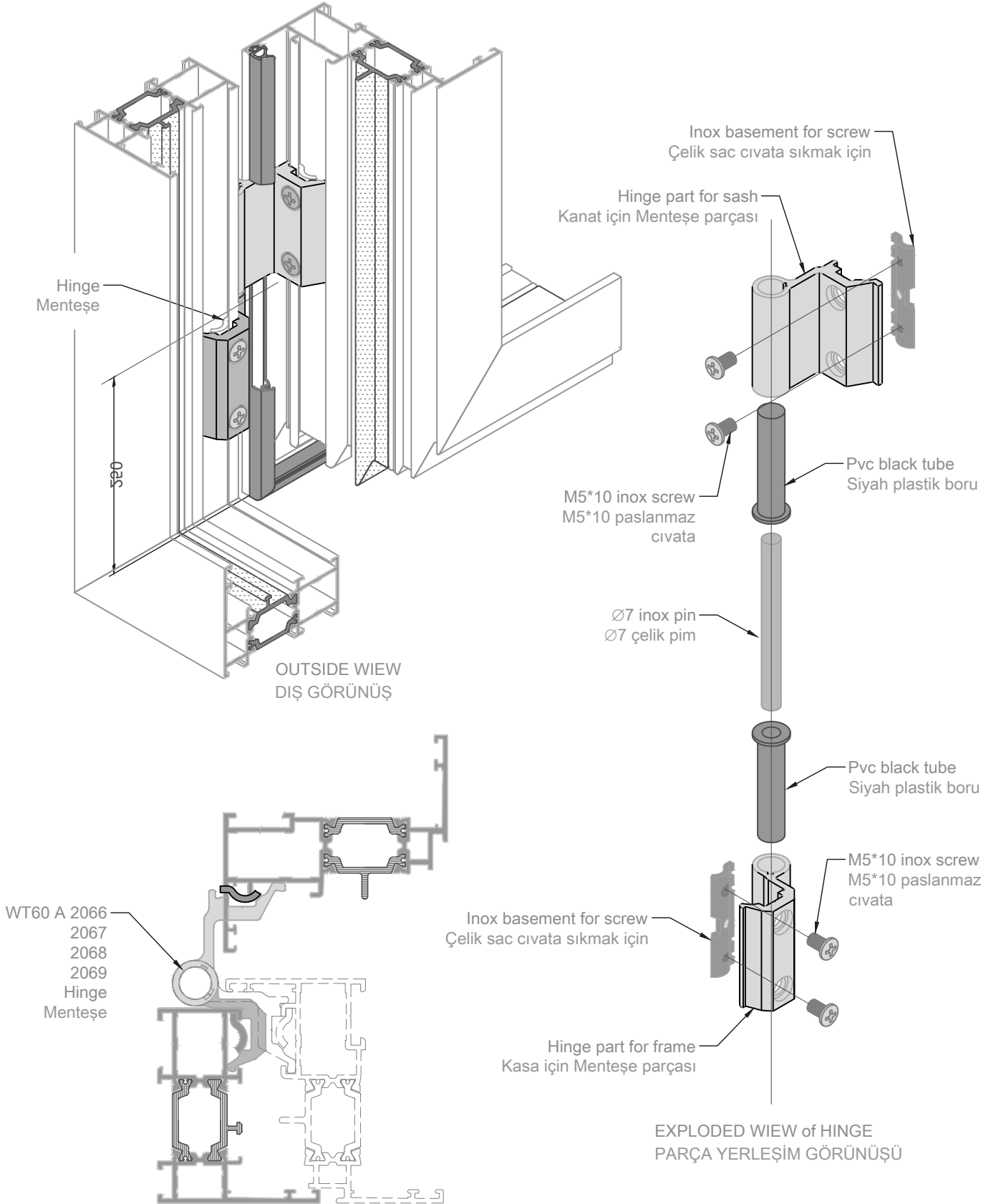
Tüm aksesuarlar için: eger kanat genişliği 1200mm ve üzeri ise

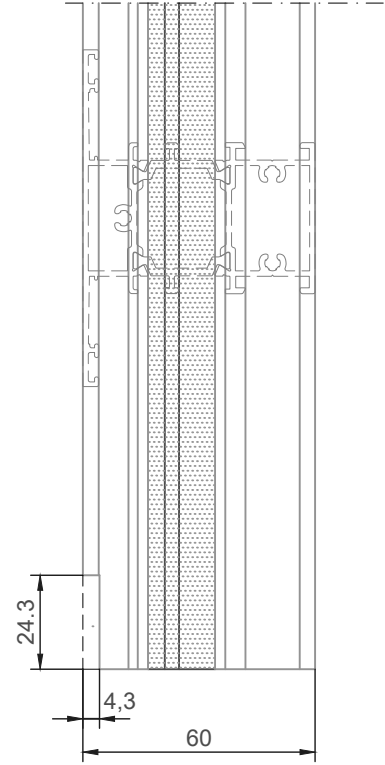
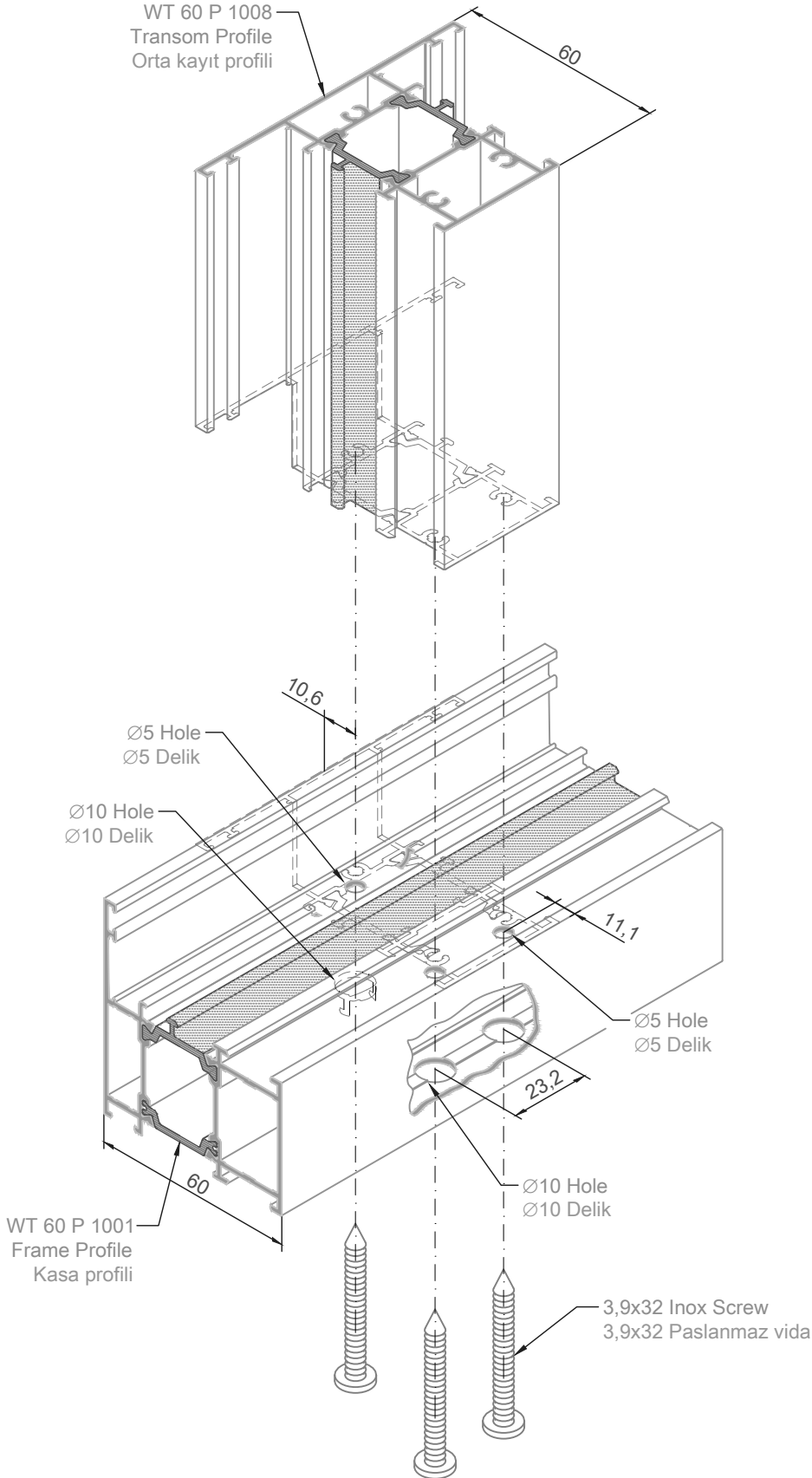




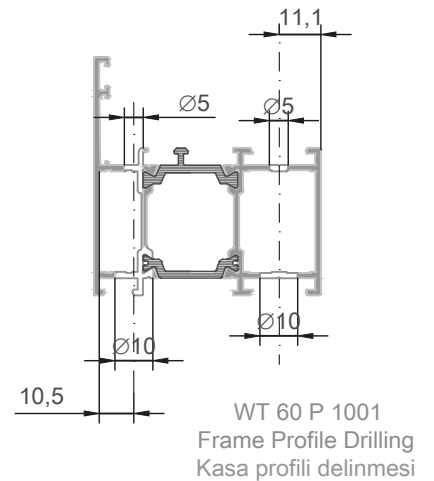
WT 60 A 2061
Locking Device
Kilit Karşılık Parçası

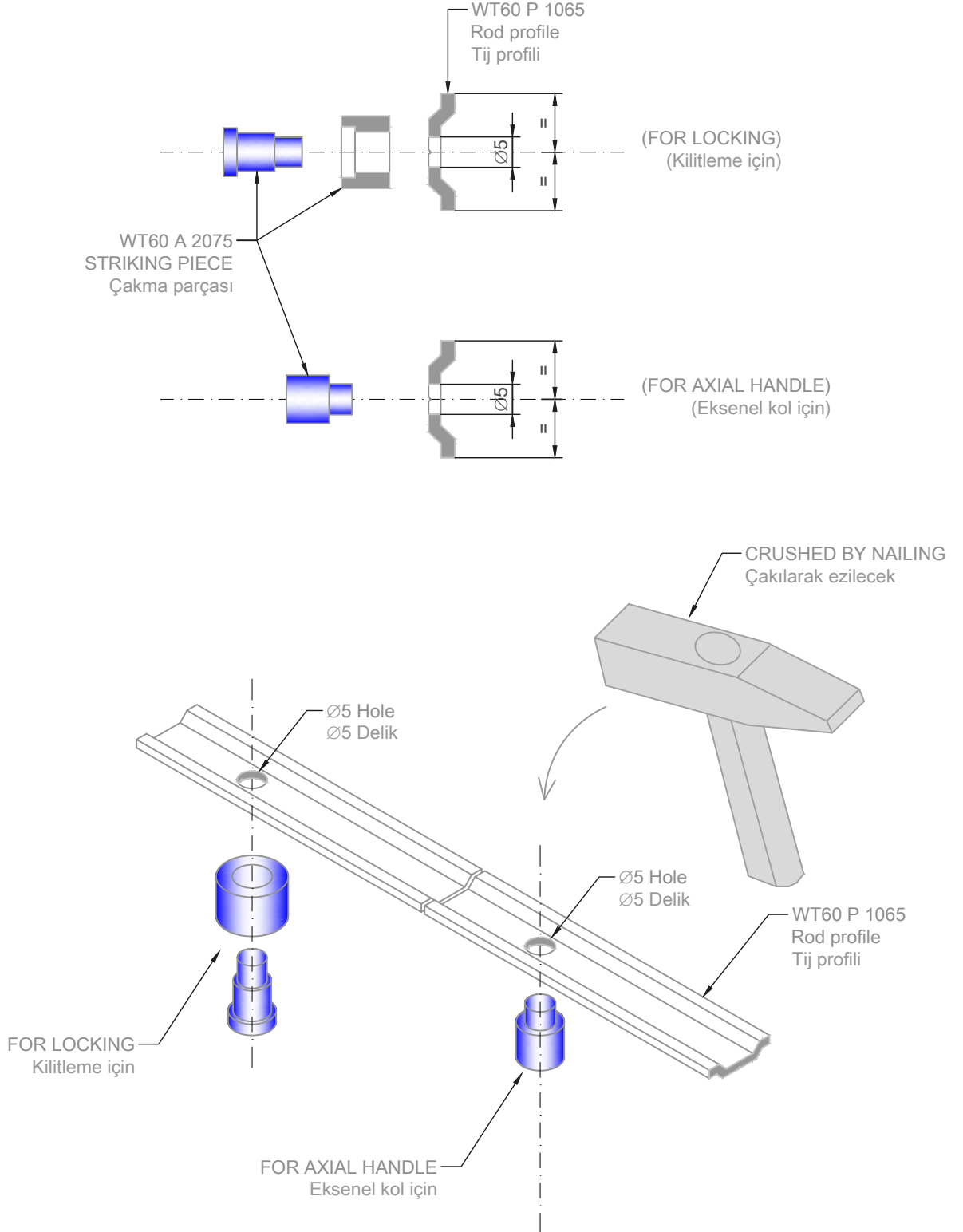


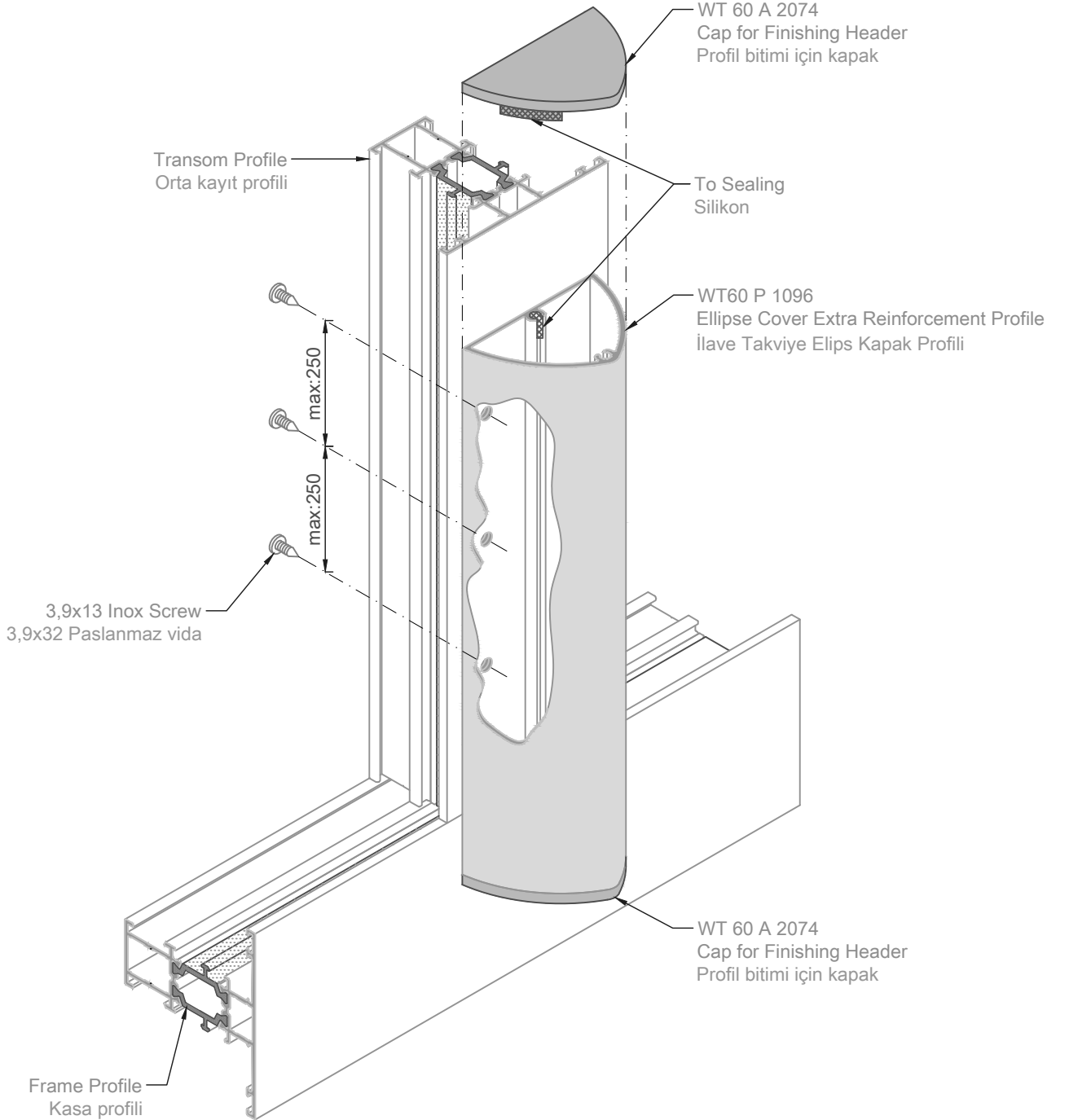




WT 60 P 1008
Transom Profile Routing
Orta kayıt profili kертmesi







since

1980

www.saray.com

TR | ENG

EWT 60

Kapı - Pencere Sistemleri
Door - Window Systems



Copyright: **SARAY**
BLC.v1 | 04.2023

SARAY DÖKÜM ve MADENİ AKSAM
Yenibosna Merkez Mh. Yalçın Koreş Cd.
Bahçelievler / İstanbul / TÜRKİYE

+90 212 655 65 64
info.satis@saray.com